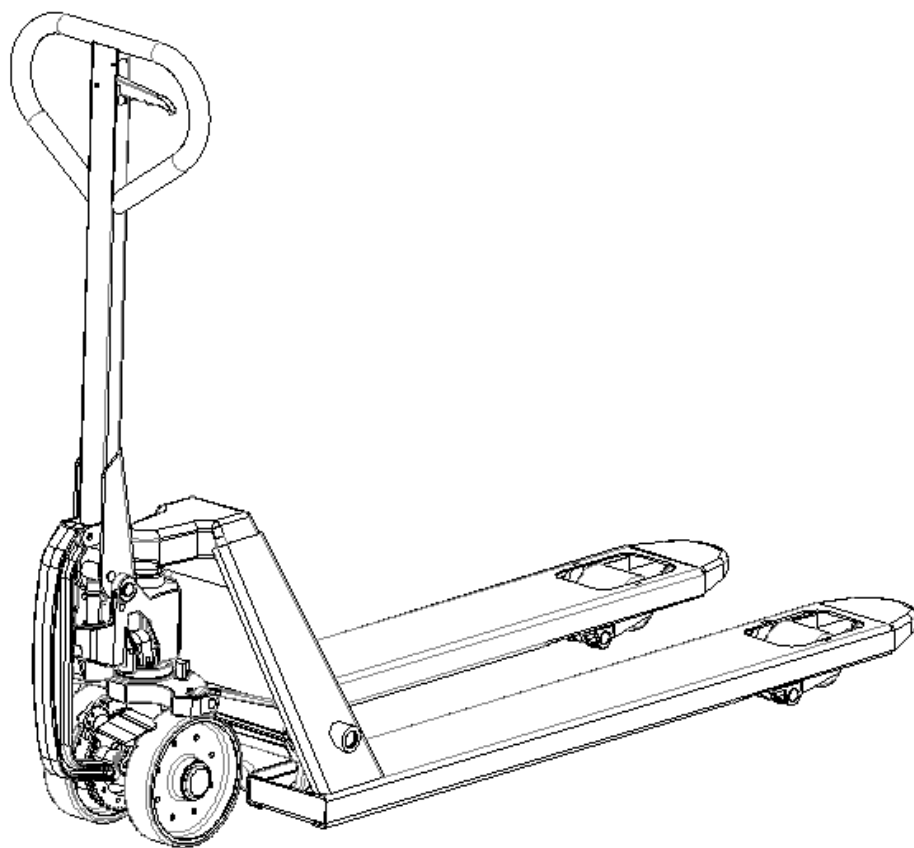


SPAREPARTS LIST

Hand Pallet Truck ERA 20



Version 10/2014

From truck identification number:

0514100001

ERA 20-BPT-002-EN

Catalogue

Fig.1 Tiller	2
Fig.2 Fork Frame	4
Fig.3 Oil pump	7
Fig.4 Drive machanism.....	9
Easy worn parts list	11

Fig.1 Tiller

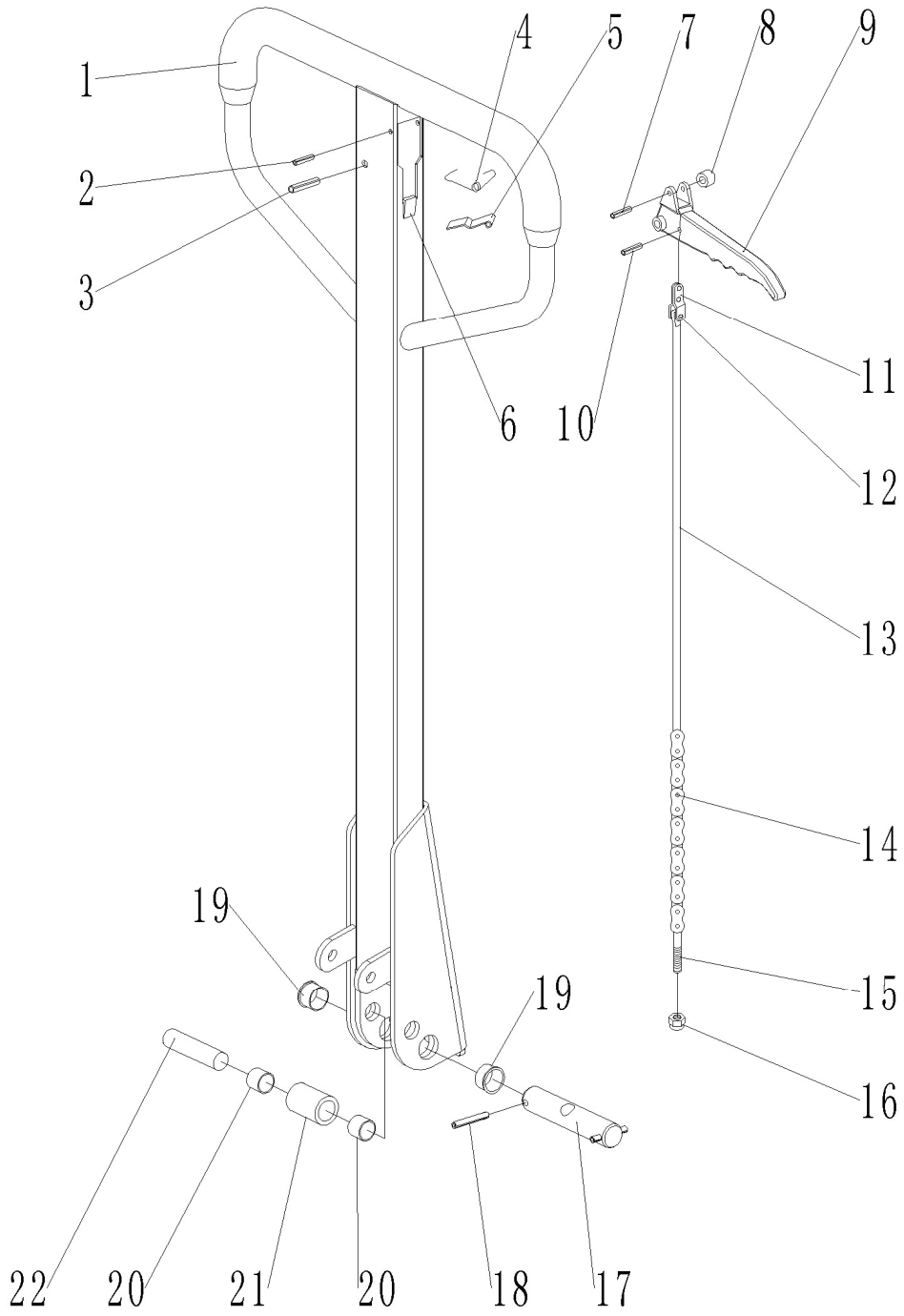


Fig.1 Tiller

No.	Art No.	Description	Qty.	Note
1	9000010364	Tiller	1	
2	0000028071	Elastic pin	1	4x30
3	0000028137	Elastic pin	1	6x30
4	2800131001	Spring	1	
5	2800137008	Folder	1	
6	2800118001	Rubber pad	1	
7	0000028127	Elastic pin	1	4x20
8	2800137007	Roller	1	
9	1500100002	Tiller	1	
10	0000028136	Elastic pin	1	4x13
11	2800137011	Connecting plate	1	
12	0000023641	Rivet	1	4x10
13	1500102004	Long connecting rod	1	
14	0000029216	Roller chain	1	04C-1x17
15	2800137010	Short connecting rod	1	
16	0090000444	Nut	2	M5
17	9000010365	Lifting block shaft	1	
18	0000028009	Elastic pin	2	5x35
19	0000013013	Should harness	2	
20	0000013007	Bushing	2	
21	1500102002	Pressure roller	1	
22	1500102001	Pressure roller shaft	1	

Fig.2 Fork Frame

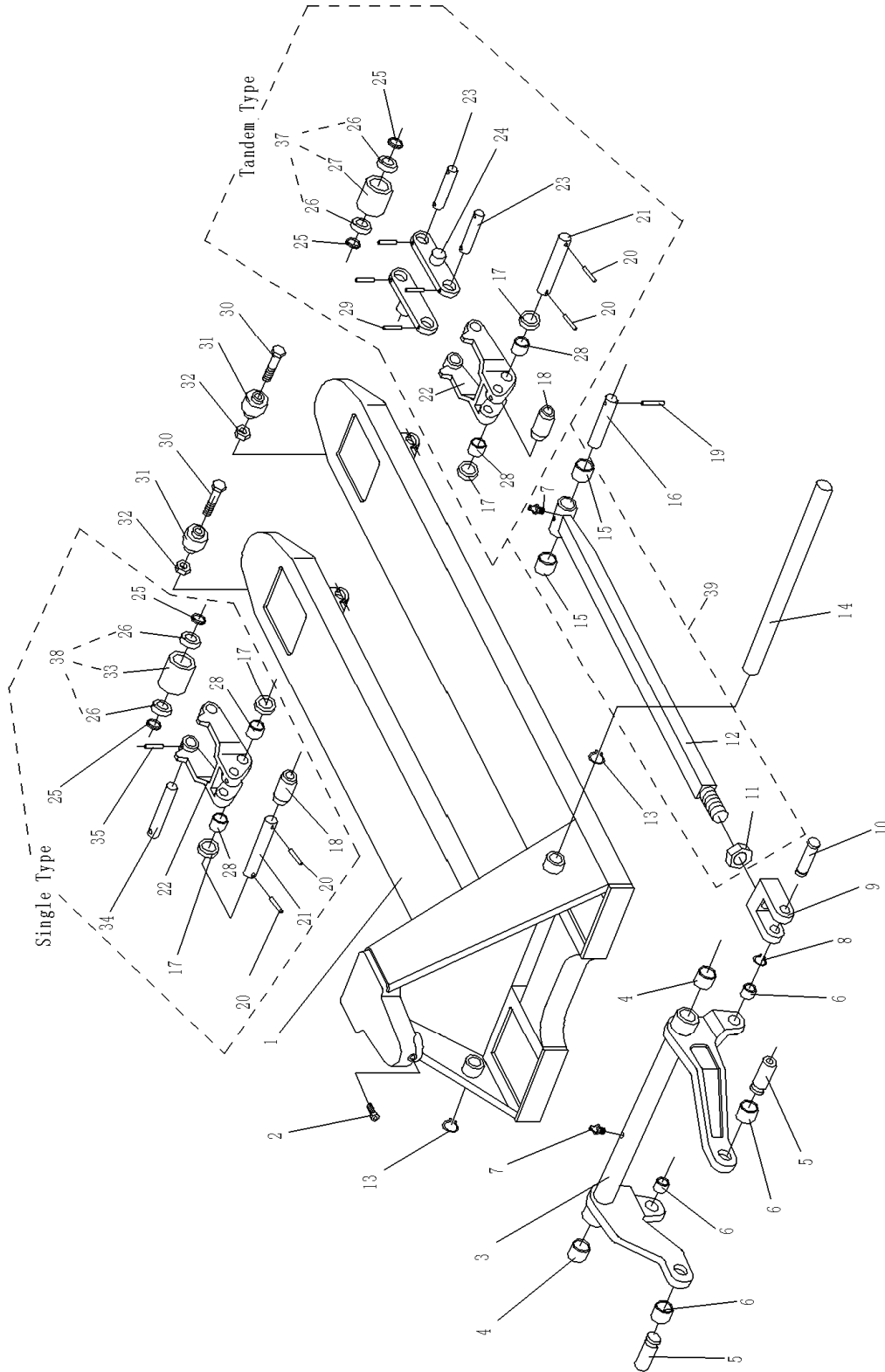


Fig.2 Fork Frame

No.	Art No.	Description	Qty.	Note
1	1500301044	Fork frame	1	1220X685X85
	1500301045			1220X540X85
	1500301046			1220X520X85
	1500301052			1150X685X85
	1500301053			1150X540X85
	1500301054			1150X520X85
2	0000023595	Screw	1	M6x14
3	9000010361	Circle rod	1	
4	0000027006	Bushing	2	
5	1500228001	Pin roll	2	
6	0000013011	Bushing	4	
7	0000030001	Oil cup	3	φ6
8	0000026019	Retaining ring	2	16
9	1500312001	Pushing rod fork	2	
10	1500328001	Pushing rod fork shaft	2	
11	0000024128	Nut	2	M22x1.5
12	1500301074	Welded pushing rod	2	1220X85 Single
	1500301075			1220X85 Tandem
	1500301078			1150X85 Single
	1500301079			1150X85 Tandem
13	0000026011	Retaining ring	2	25
14	1500307003	Circle rod shaft	1	
15	0000013011	Bushing	4	
16	1500307004	Pushing rod shaft	2	
17	1500302005	Roller	4	
18	9000002265	Exit roller	2	
19	0000028007	Elastic pin	2	5x32
20	0000028002	Elastic pin	4	5x30
21	1070307002	Shaft for frame of roller	2	
22	9000010363	Frame of roller	2	
23	1500307016	Small wheel shaft	2	
24	1500304002	Connecting plate	2	
25	1500226001	Retaining ring	8/4(D/S)	
26	0000027001	Bearing	8/4(D/S)	6204
27	1500316022	PU Wheel	2	φ74X70
28	0000027005	Copper bushing	4	20x22x12
29	0000028009	Elastic pin	8	5x35
30	0000023004	Bolt	2	M10x60
31	1000516001	Enter roller	2	
32	0000024097	Nut	2	M10
33	1500316031	Nylon wheel	1	

34	1500302009	Small wheel shaft	1	
35	0000028002	Elastic pin	2	5x30
36	0000030001	Oil cup	3	φ6
37	9000010355	Small wheel components (tandem)	4	
38	9000010356	Small wheel components (single)	2	
39	9000010357	Pushing rod components	2	

Fig.3 Oil pump

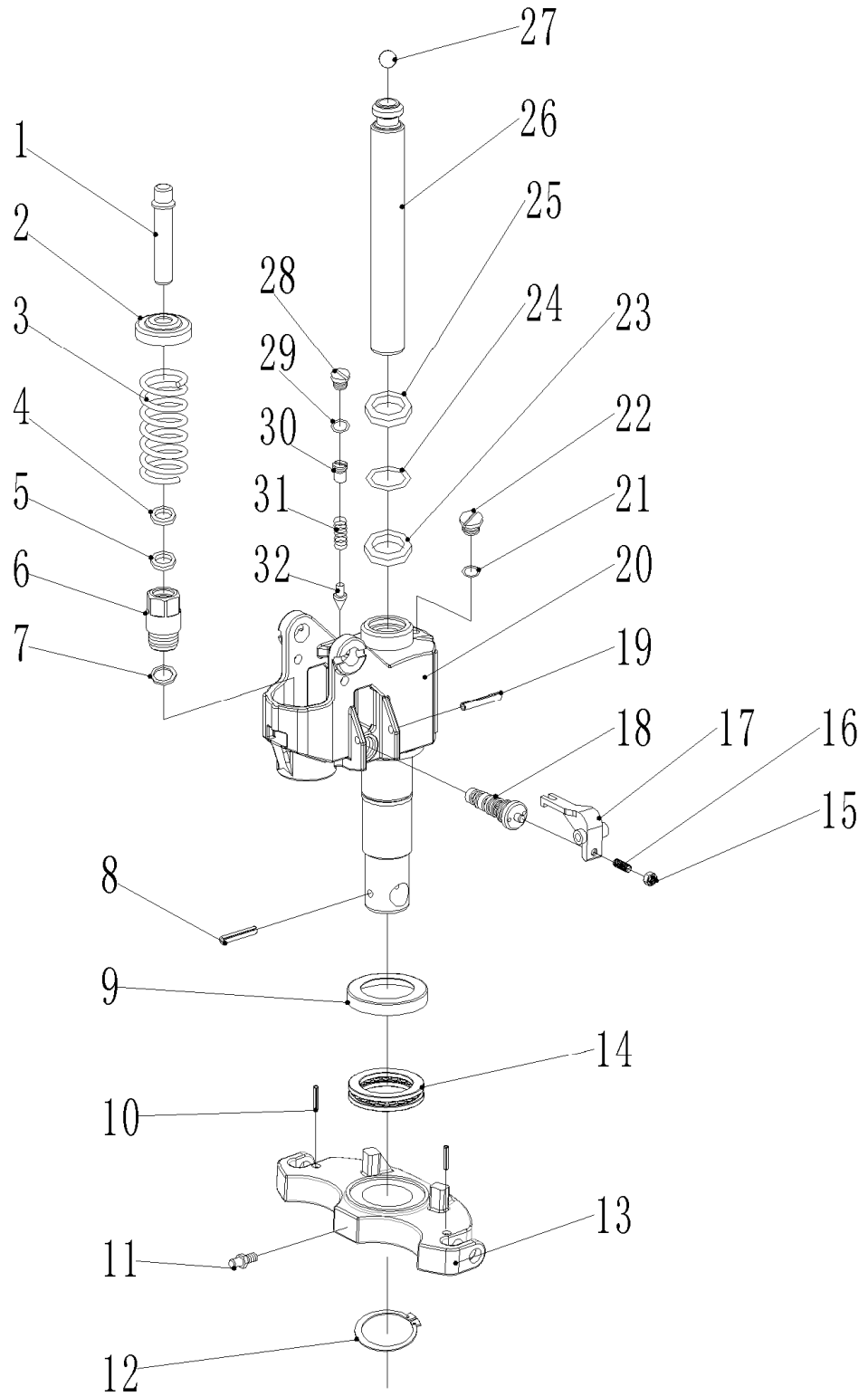


Fig.3 Oil pump

No.	Art No.	Description	Qty.	Note
1	9000002462	Small piston rod	1	
2	1070204002	Spring cover	1	
3	9000010368	Big spring	1	
4	0090000273	Seal ring	1	18x26x5
5	0000022156	Seal ring	1	18x26x5
6	1500202003	Small oil cylinder	1	
7	1500222001	Seal copper pad	1	
8	0000028134	Elastic pin	1	8x45
9	9000010393	Bearing cover	1	
10	0000028002	Elastic pin	2	5x30
11	0000030002	Oil cup	1	M6
12	0000026058	Retaining ring	1	52
13	9000010367	Thrust plate	1	
14	0000027014	Bearing	1	8111
15	0000023638	Nut	1	C 级 M8
16	0000023551	Screw	1	M8x20
17	1500205002	Lever	1	
18	1500200001	Hydraulic valve components	1	
19	0000028135	Elastic pin	1	8x50
20	9000010366	Oil pump body	1	
21	9000010369	Seal pad	1	
22	1070202001	Plug screw	1	
23	0090000620	Seal ring	1	35x45x6
24	0000022159	Seal ring	1	34.52X3.53
25	0000022158	Seal ring	1	35x43x5
26	1500202023	Big piston rod	1	
27	0000037028	Steel ball	1	18
28	1500223002	Adjusting bolt	1	
29	0000022118	Seal ring	1	18x2.4
30	1500223003	Adjusting screw	1	
31	1500231002	Spring	1	
32	DF25.2-26	Safety valve core	1	

Fig.4 Drive mechanism

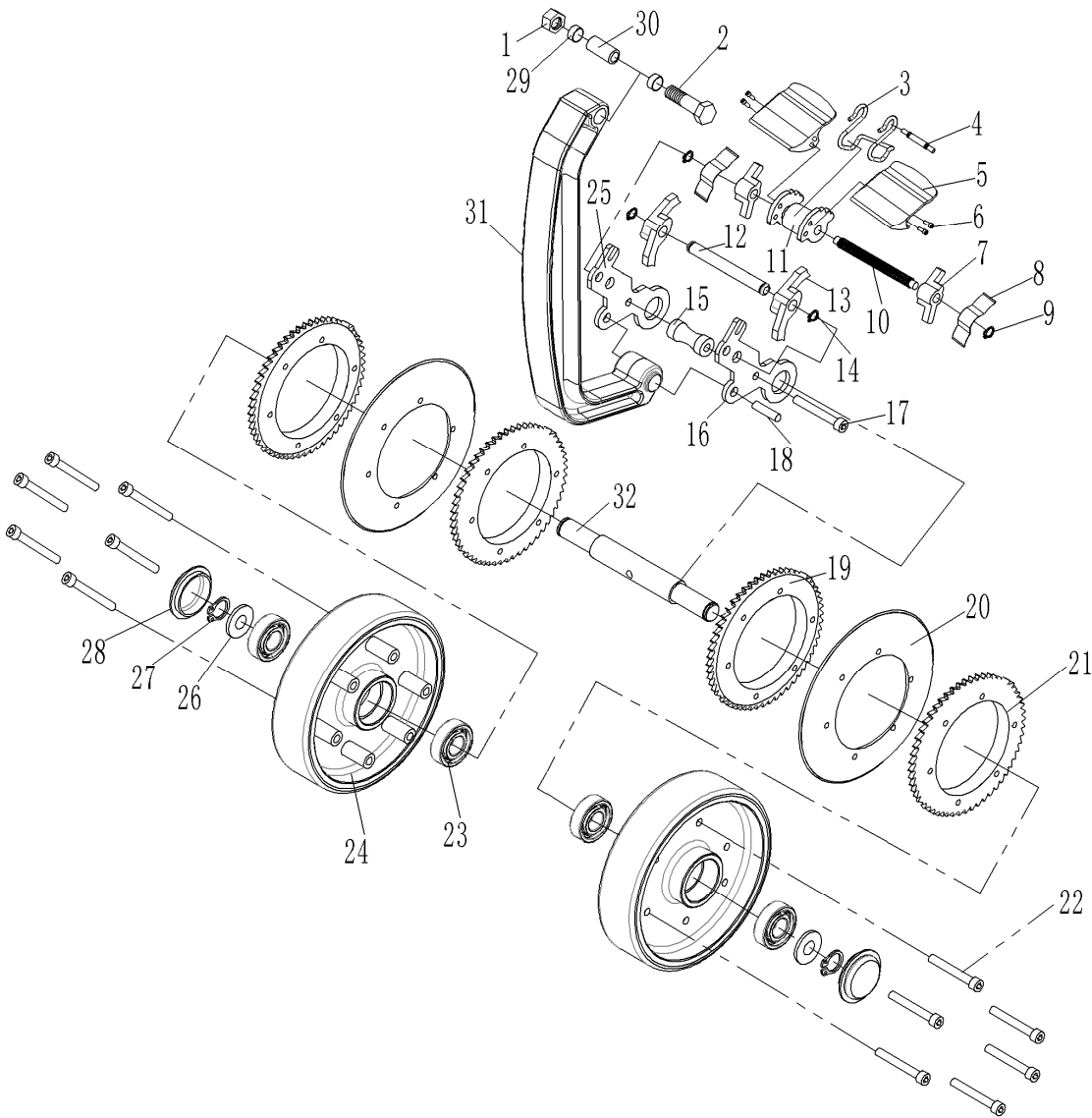


Fig.4 Drive mechanism

No.	Art No.	Description	Qty.	Note
1	0000024065	Nut	1	M10
2	0000023599	Screw	1	M10x60
3	9000010375	Spring	2	
4	9000010380	Locating rod	1	
5	9000010376	Control plate	2	
6	0000023311	Screw	4	M5x10
7	9000010378	Switch block	2	
8	9000010389	Spring	2	
9	0000026051	Retaining ring	2	8
10	9000010381	Switch shaft	1	
11	9000010377	Turn plate	1	
12	9000010382	Shaft	1	
13	9000010379	Block	2	
14	0000026034	Retaining ring	2	12
15	9000010383	Connecting block	1	
16	9000010387	Reciprocating plate	1	
17	0090000525	Screw	1	M8x60
18	9000010385	Connecting rod pin roll	1	
19	9000010372	Drive wheel	2	
20	9000010388	Baffle	2	
21	9000010373	Drive wheel	2	
22	0000023928	Screw	12	M8x55
23	0000027105	Bearing	4	60204
24	9000010371	Big wheel	2	
25	9000010386	Reciprocating plate	1	
26	1000525001	Spacer	2	
27	1500226001	Retaining ring	2	
28	1500203001	Big wheel cover	2	
29	0000013011	Bushing	2	16x18x15
30	9000010384	Shaft sleeve	1	
31	9000010374	Connecting rod	1	
32	9000010370	Big wheel shaft	1	

Easy worn parts list

No.	Part number	Name	Qty.	Fig./Position	Note
1	0090000273	Seal ring 18x26x5	1	Fig.3/4	Oil pump
2	0000022156	Seal ring 18x26x5	1	Fig.3/5	
3	0090000620	Seal ring 35x45x6	1	Fig.3/23	
4	0000022159	Seal ring 34.52X3.53	1	Fig.3/24	
5	0000022158	Seal ring 35x43x5	1	Fig.3/25	
6	0000022118	Seal ring 18x2.4	1	Fig.3/29	
7	0000026051	Retaining ring 8	2	Fig.4/8	Drive mchanism
8	0000013011	Bushing 16x18x15	2	Fig.4/29	