

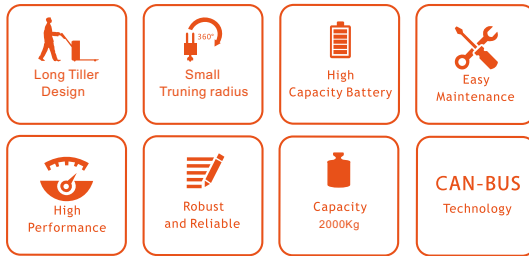
PT20i



Noblelift Power Electric Pallet Truck With Mast Lift for Order Picking

The PT 20i is the ideal choice if transportation operations needs to be combined with health friendly order picking operations. The low-lift transportation capacity of max.2000kg is enough to unload delivery lorries and to do picking operations in the warehouse or in the salesroom.

The sideways lifting buttons are ergonomically located nearby the picking area.



ADVANTAGE:

- Power pallet truck with additional health-friendly mast lift
- AC drive system
- Long tiller for easy and ergonomic operations
- Slow-speed button for safe operations in narrow spaces

DOUBLE LIFTING DESIGN CORE COMPONENTS FORM TOP QUALITY BRANDS

- Initial lifting
- Easy for operation
- Side-way battery replacement
- Capacities for different applications





Long Tiller Design

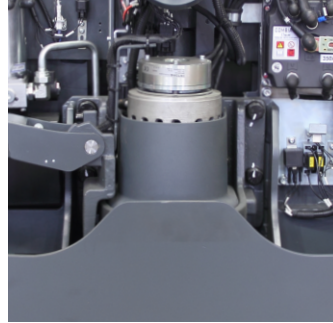
Ergonomically designed long tiller allows comfortable and efficient operation, and at the same time safety for the operator by keeping a safe distance.

CAN-BUS



Initial lifting(double lifting design)

Additional healthy-friendly mast lift height up to 800mm with lift capacity 1000kg, ideal for trailer unloading, short distance material transportation and factory assembly line.



Core Components from Top Quality Brands

German KORDEL gear box, INTORQ Brake, WICK drive wheel, Italian ZAPI Controller ensure the high performance, efficiency and stability, at the same time reduce the running cost .



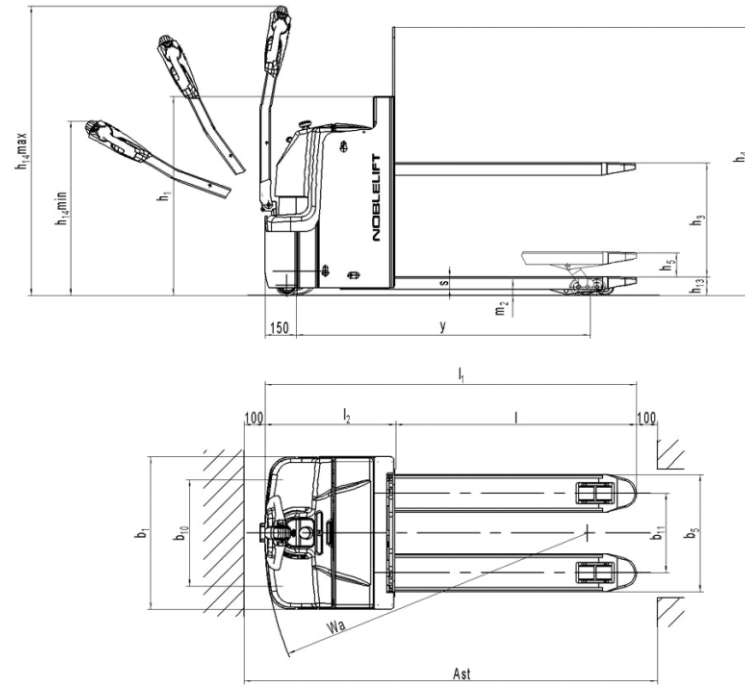
Static design of the hydraulic system

There is no movement of the hydraulic systems during lifting and lowering of the truck, ensures the stability and safety of the hydraulic system .



Robust and Reliable Design

The robust chassis with the strong 8mm thick apron protects the truck and the components against mechanical impacts from the outside. The steel battery cover ensures the battery well protected.



工业车辆参数表 (VDI 2198)

工业车辆参数表 (VDI 2198)			PT20I	
1.1	Manufacturer's type designation		PT20I	
1.2	Load Capacity / rated load	Q(t)	2.0	
1.3	Service weight	Kg	656	863
1.4	Height, lowered	mm	950	855
1.5	Overall length	mm	1770	1940
1.6	Overall width	mm	729	
1.7	Distance between fork-arms	mm	560	
1.8	Turning radius	mm	1536	1607
1.9	Travel speed, laden/ unladen	Km/h	6.0/6.0	