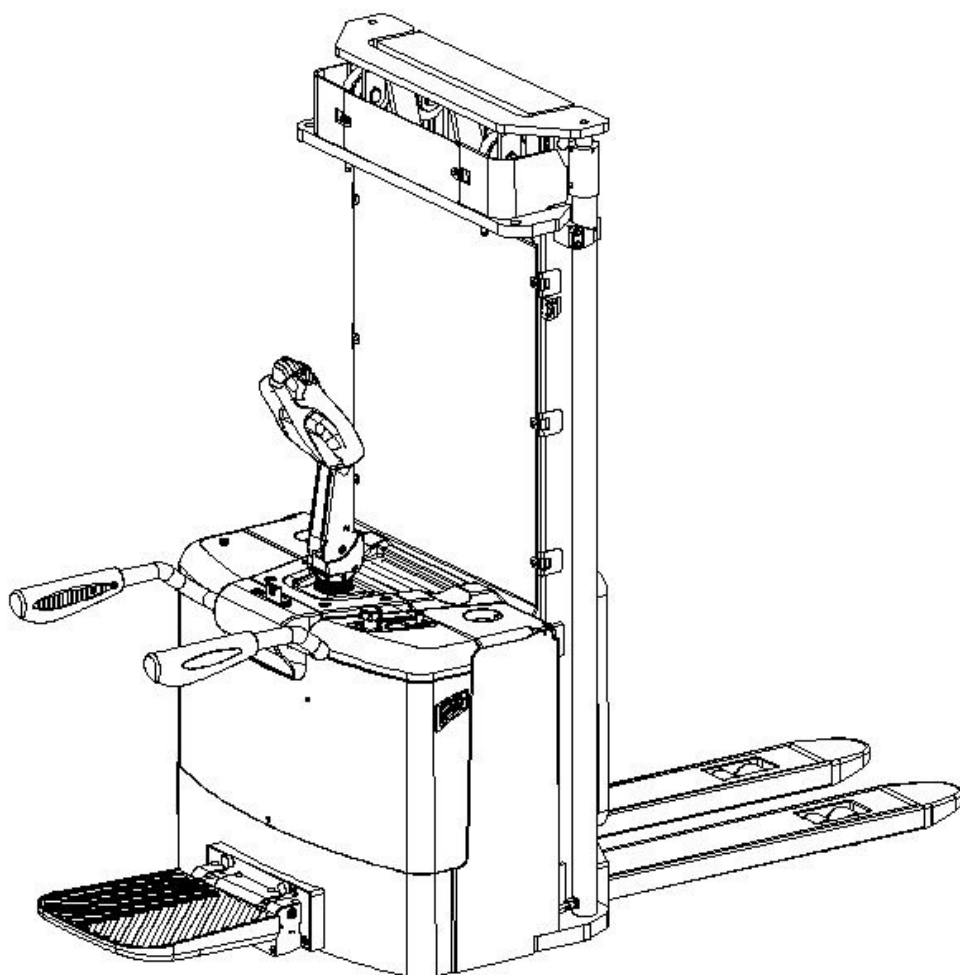


# SPAREPARTS LIST

## Electric Stacker PS 16W



Version10/2014

From truck identification number:

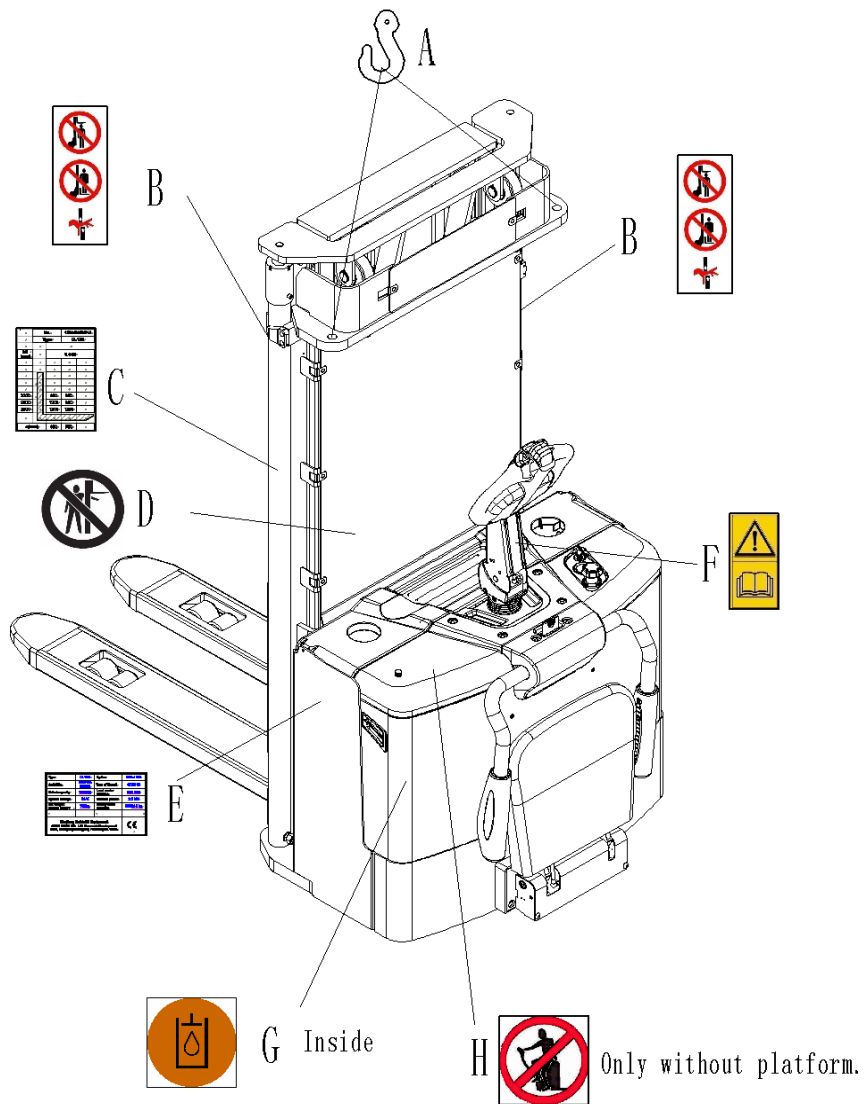
30130700011

PS 16W- BPT-004-EN

# Catalogue

Fig. 1 Label (for EU).....	1
Fig. 2 Label (for US).....	2
Fig. 3 Appearance.....	3
Fig. 4 Protective arm.....	5
Fig. 5 Foldable platform.....	6
Fig. 6 Battery cover assembly.....	8
Fig. 7 Pallet frame.....	9
Fig. 8 Steering wheel.....	10
Fig. 9 Load wheel.....	12
Fig. 10 Mast Assembly.....	13
Fig. 11 Electronic control components(manual steering).....	15
Fig. 12 Electronic control assembly(electrical steering).....	17
Fig. 13 Main harness(manual steering).....	19
Fig. 14 Main Harness(electrical steering).....	20
Fig. 15 Electric parts(manual steering).....	21
Fig. 16 Electric parts(electrical steering).....	23
Fig. 17 Power supply assembly.....	25
Fig. 18 Battery.....	27
Fig. 19 Hydraulic system.....	28
Fig. 20 Cylinder.....	30
Fig. 21 Pump system.....	32
Fig. 22 Drive system(manual steering).....	34
Fig. 23 Drive wheel(43EL).....	36
Fig. 24 Drive system(electrical steering).....	40
Fig. 25 Drive wheel(23EL).....	42
Fig. 26 Instrument components.....	44
Fig. 27 Tiller arm assembly.....	46
Fig. 28 Tiller head.....	48
Easy worn parts list.....	50

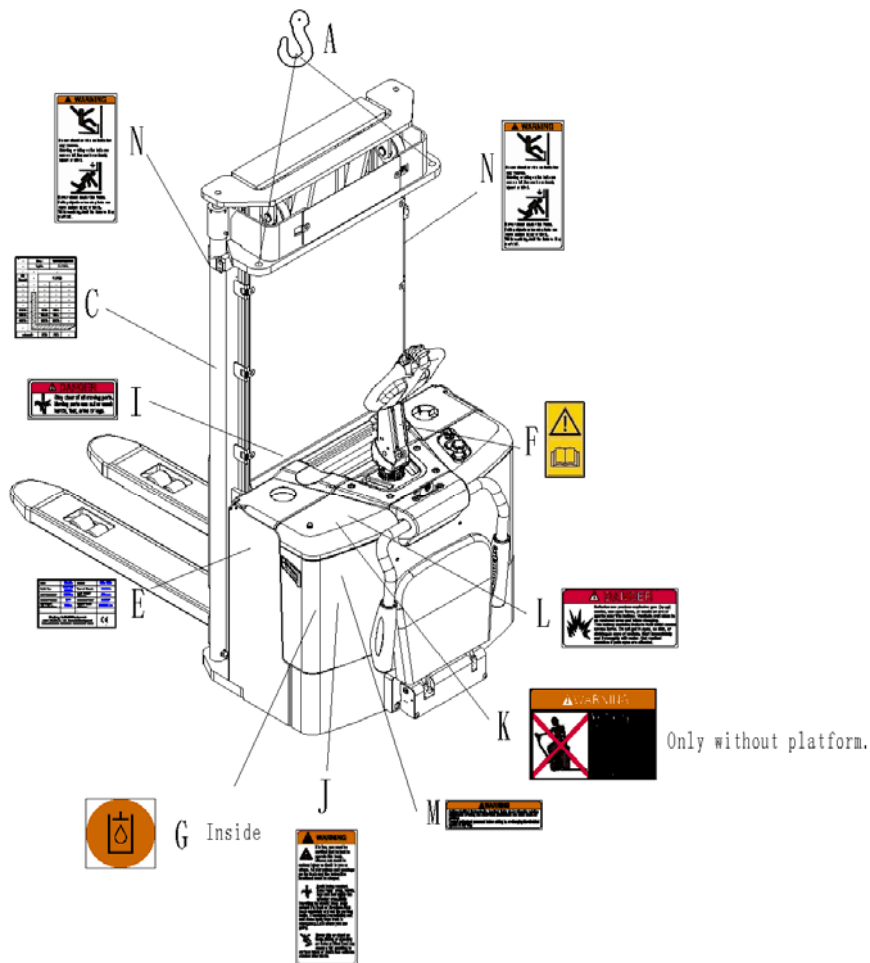
**Fig. 1 Label (for EU)**



**Fig. 1 Label (for EU)**

No.	Art No.	Description	Qty.	Note	Standard
A	9000005967	Crane hook label	2		
B	9000003923	Warning decal: Do not step under or on the forks	2		
C	9000008666	Residual lift capacity sticker	1		
D	9000008561	Never reach through	1		
E	9000008663	Identification plate (ID-plate)	1		
F	9000003570	Sticker to read and follow these instructions	1		
G	9000008555	Filling sticker	1		
H	9000003573	Warning label	1		

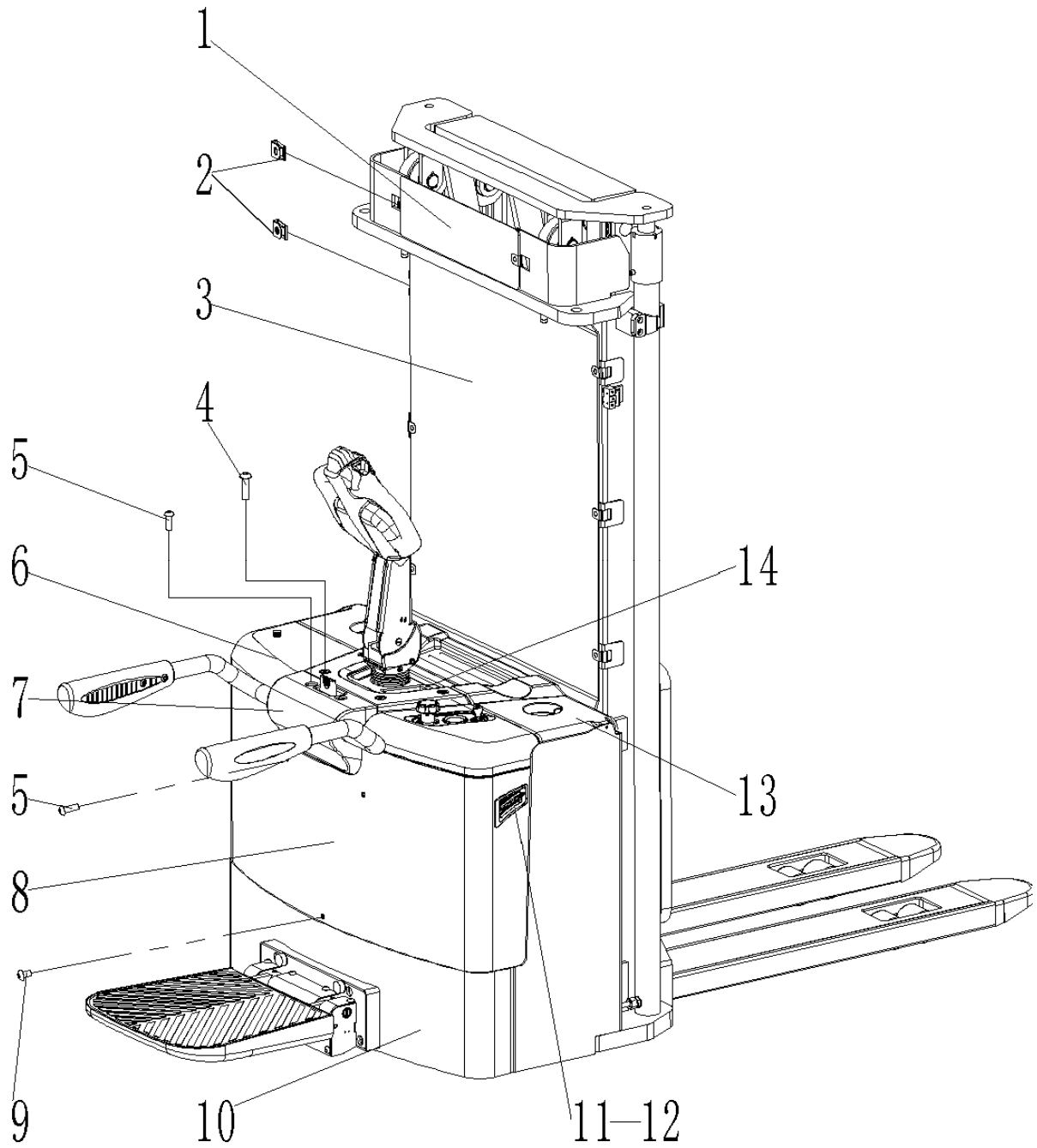
**Fig. 2 Label (for US)**



**Fig.2 Label (for US)**

No.	Art No.	Description	Qty.	Note	Standard
A	9000005967	Crane hook label	2		
C	9000008666	Residual lift capacity sticker	1		
E	9000008663	Identification plate (ID-plate)	1		
F	9000003570	Sticker to read and follow these instructions	1		
G	9000008555	Filling sticker	1		
I	9000005970	Sign danger being crushed	1		
J	9000003575	Warning label	1		
K	9000003580	Warning label	1		
L	9000003577	Sign danger battery	1		
M	9000003579	Sign warning electrical devices	1		
N	9000005971	Sign not under, on forks	2		

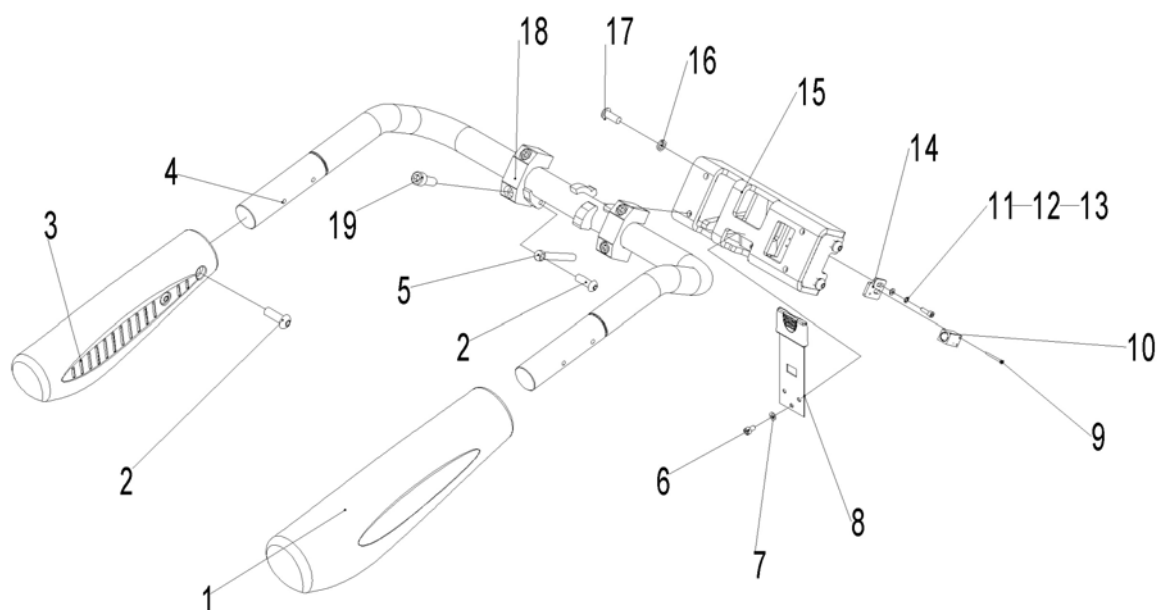
**Fig. 3 Appearance**



**Fig. 3 Appearance**

No.	Art No.	Description	Qty	Note	Standard
1	9000008100	Glass	1		
2	9000007782	Spring buckle	8		
3	9000008103	Protective glass	1		
4	9000007790	Screw	4	M10×55	
5	1000423003	Screw	4	M10×30	
6	9000008082	Top cover	1		
7	9000008063	Protective arm cover	1		
8	9000008084	Welded outer cover	1		
9	2000423001	Screw	1	M10×15	
10	9000008081	Truck body	1		
11	9000007920	Left vent hole components	1		
12	9000007923	Right vent hole components	1		
13	9000008085	Battery cover	1		
14	9000008130	Middle cover	1		

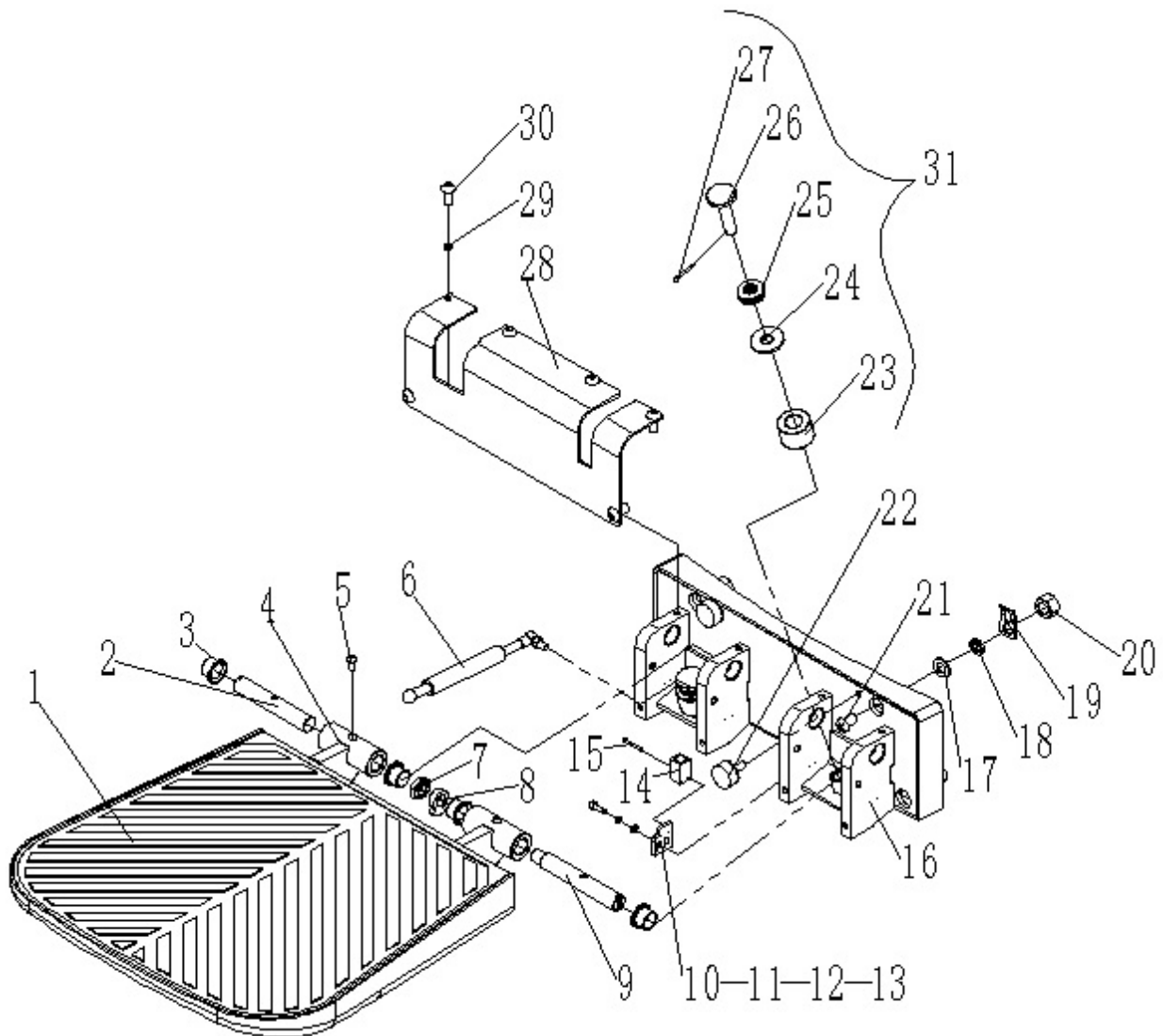
**Fig. 4 Protective arm**



**Fig. 4 Protective arm**

No.	Art No.	Description	Qty.	Note	Standard
1	9000007895	Right protective arm cover	1		
2	0090000448	Screw	5	M8×20	GB/T70.2=ISO7380
3	9000007896	Left protective arm cover	1		
4	9000007894	Welded protective arm	1		
5	9000007780	Air spring	1		
6	0000023045	Screw	3	M6×12	GB/T70.2=ISO7380
7	0000025010	Washer	3	6	GB/T93
8	9000007897	Locating spring	1		
9	0000023075	Screw	2	M3×20	GB/T70.1=ISO4762
10	9000008329	Proximity switch	1	NBN5-F7-E2	
11	0000025012	Washer	2	5	GB/T93
12	0000023032	Washer	2	5	GB/T95
13	0000023107	Screw	2	M5×16	GB/T70.1=ISO4762
14	9000009799	Switch transition plate	1		
15	9000007892	Welded protective arm seat	1		
16	0000023006	Washer	4	10	GB/T93
17	0090000447	Screw	4	M10×25	GB/T70.2=ISO7380
18	9000007893	Protective arm clamp block	2		
19	0000023099	Screw	4	M10×45	GB/T70.1=ISO4762

Fig. 5 Foldable platform

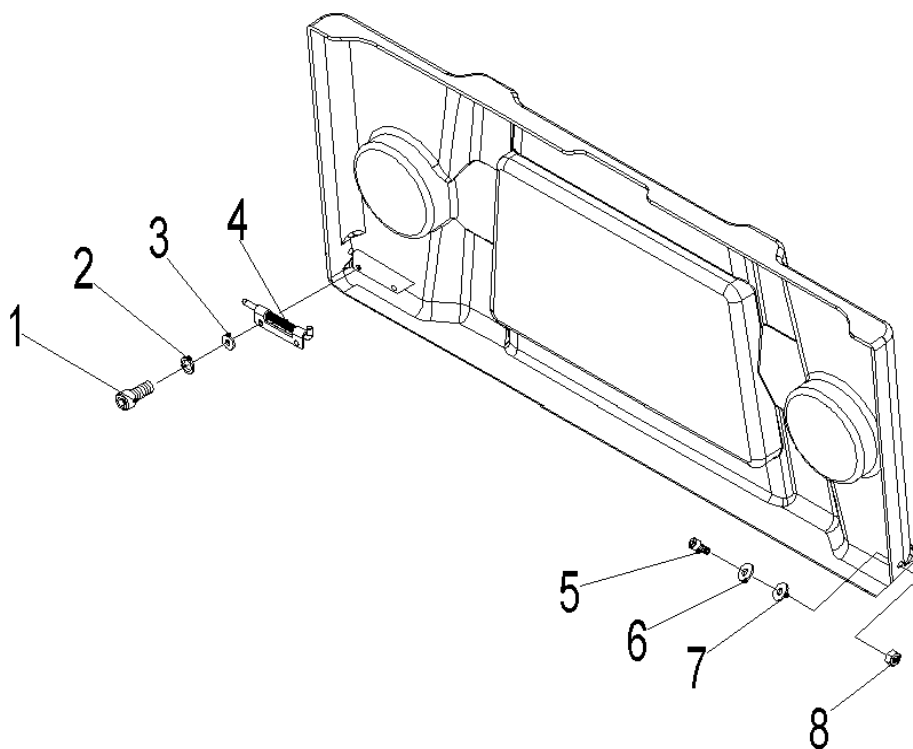




**Fig. 5 Foldable platform**

No.	Art No.	Description	Qty.	Note	Standard
1	9000007867	Pedal pad	1		
2	9000007869	Rotating shaft	1		
3	9000007799	Shoulder harness	4	∅20×∅23×16.5	
4	9000007863	Welded foot platform	1		
5	0000023555	Screw	2	M6×16	GB/T70.2=ISO7380
6	2000421001	Air spring	1		
7	0000024014	Nut	1	M16×1.5	GB/T6173=ISO8675
8	9000007873	Cam	1		
9	9000007866	Cam shaft	1		
10	0000025012	Washer	2	5	GB/T93
11	0000023032	Washer	2	5	GB/T95
12	0000023107	Screw	2	M5×16	GB/T70.1=ISO4762
13	9000009799	Switch transition plate	1		
14	9000008328	Proximity switch	1	NBN5-F7-E2	
15	0000023075	Screw	2	M3×20	GB/T70.1=ISO4762
16	9000007864	Welded assembly seat	1		
17	0090000048	Washer	4	12	GB/T97.1
18	0000025024	Washer	4	12	GB/T93
19	9000007874	Line hanging board	1		
20	0000024006	Lock nut	4	M12	GB/T889.1=ISO7040
21	0090000450	Screw	4	M12×45	GB/T70.2=ISO7380
22	9000007865	Damping pad	2		
23	9000007872	Anti-vibration pad	2		
24	9000007871	Anti-vibration washer	2		
25	0000031001	Spring	8	∅16.3×∅31.5×	GB/T1972
26	9000007870	Fixed bolt	2		
27	0000028033	Split pin	2	∅3.2×20	GB/T91=ISO1234
28	9000007868	Assembly seat cover	1		
29	0000025010	Washer	6	6	GB/T93
30	0000023045	Screw	6	M6×12	GB/T70.2=ISO7380
31	9000008897	Suspension components	2		

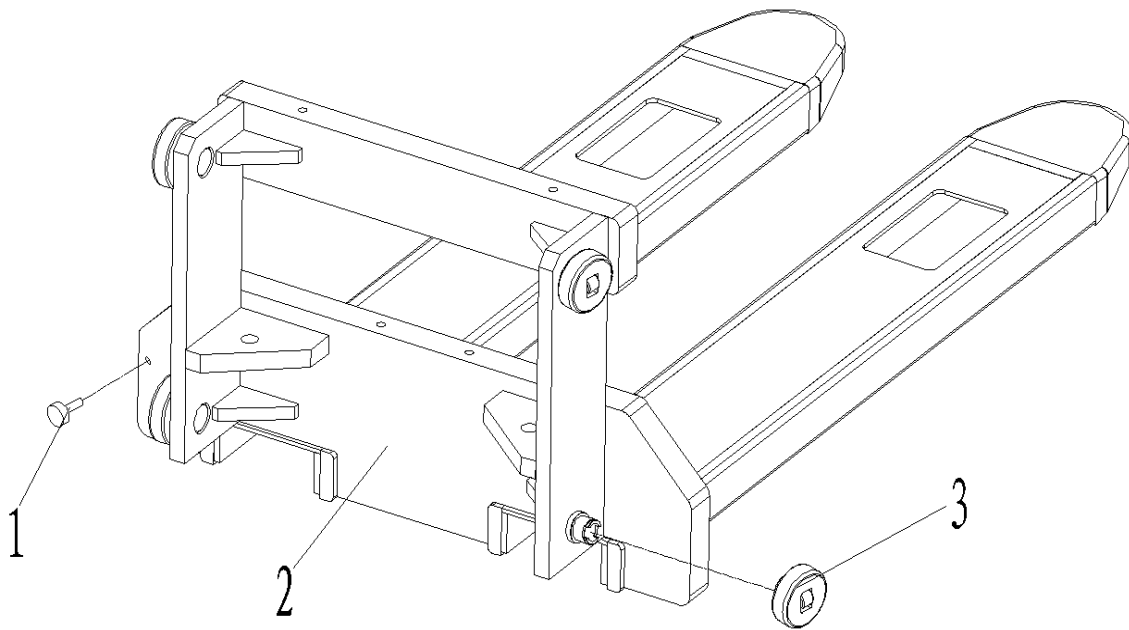
**Fig. 6 Battery cover assembly**



**Fig. 6 Battery cover assembly**

No.	Art No.	Description	Qty.	Note	Standard
1	0000023073	Screw	2	M4×10	GB/T70.1=ISO4762
2	0000025018	Washer	2	4	GB/T93
3	0000025019	Washer	2	4	GB/T95
4	9000008795	Latch	1	CL037	
5	0000023306	Screw	1	M5×20	GB/T70.1=ISO4762
6	0000025015	Washer	1	5	GB/T93
7	0000025014	Washer	1	5	GB/T95
8	0000024035	Nut	1	M5	GB/T6170=ISO4032

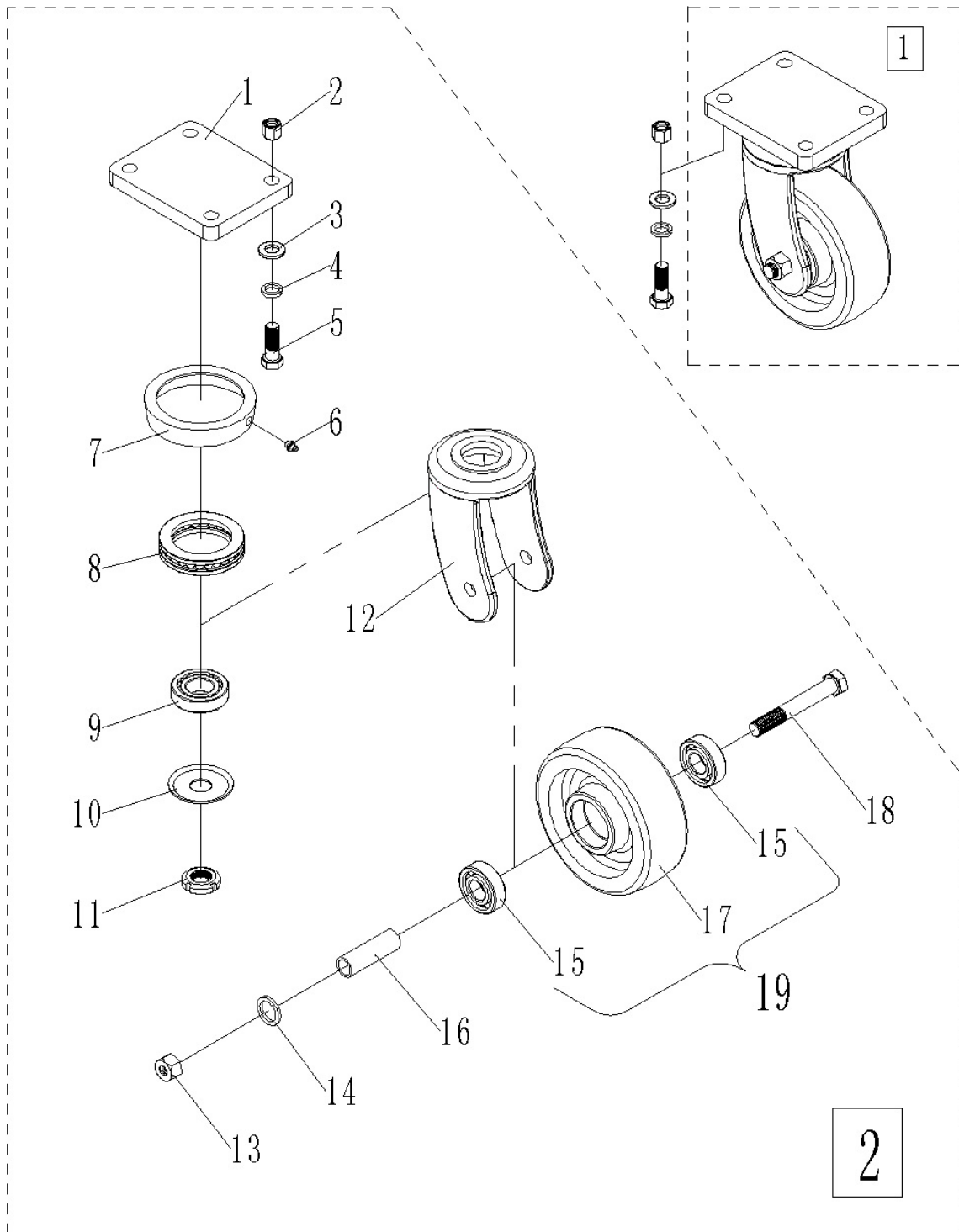
**Fig. 7 Pallet frame**



**Fig. 7 Pallet frame**

No.	Art No.	Description	Qty.	Note	Standard
1	2000435002	Magnet steel	1		
2	9000008080	Welded pallet	1	570×1150	
	9000009412			685×1150	
3	9000007756	Compound roller	4		

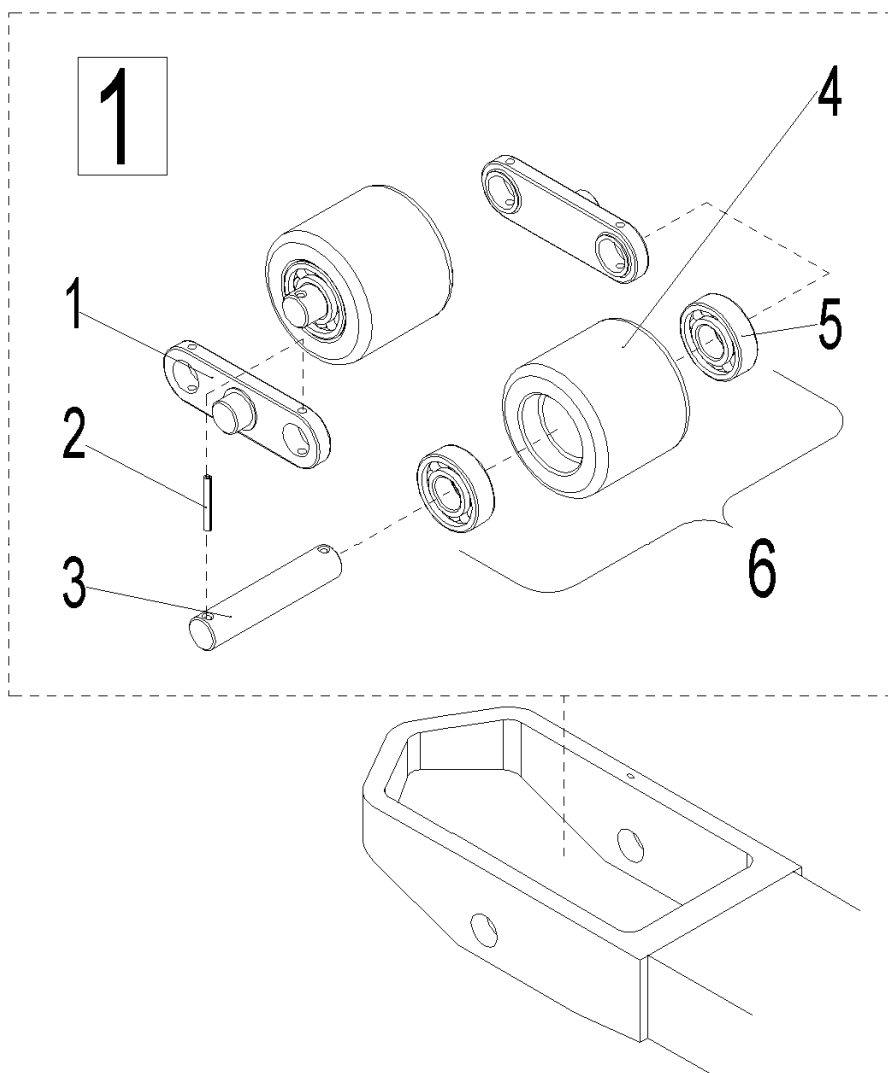
Fig. 8 Steering wheel



**Fig. 8 Steering wheel**

No.	Art No.	Description	Qty.	Note	Standard
1	2240401006	Welded flange	2		
2	0000024006	Lock nut	8	M12	GB/T889.1=ISO7040
3	0000025032	Washer	8	12	GB/T95
4	0000025024	Washer	8	12	GB/T93
5	0000023122	Screw	8	M12×50	GB/T70.1=ISO4762
6	0000030002	Oil cup	2	M6	JB/T7940.1
7	2210422001	Dust ring	2		
8	0000027014	Bearing	2	8111	GB/T301
9	0000027015	Bearing	2	7205E	GB/T297
10	2210404001	Pressure cover	2		
11	0000024016	Round nut	2	M20×1.5	GB/T812
12	2270405001	Roller frame	2		
13	0000024015	Lock nut	2	M14	GB/T889.1=ISO7040
14	2210425001	Washer	4		
15	0000027001	Bearing	4	6204	GB/T276=ISO3290
16	2210413001	Bearing sleeve	2		
17	2210416001	Castor	2		
18	0000023111	Bolt	2	M14×100	GB/T5782=ISO4014
19	9000008896	Wheel set	1		
①	2270400001	Steering wheel components	2		
②	9000010409	Steering wheel accessories	2		

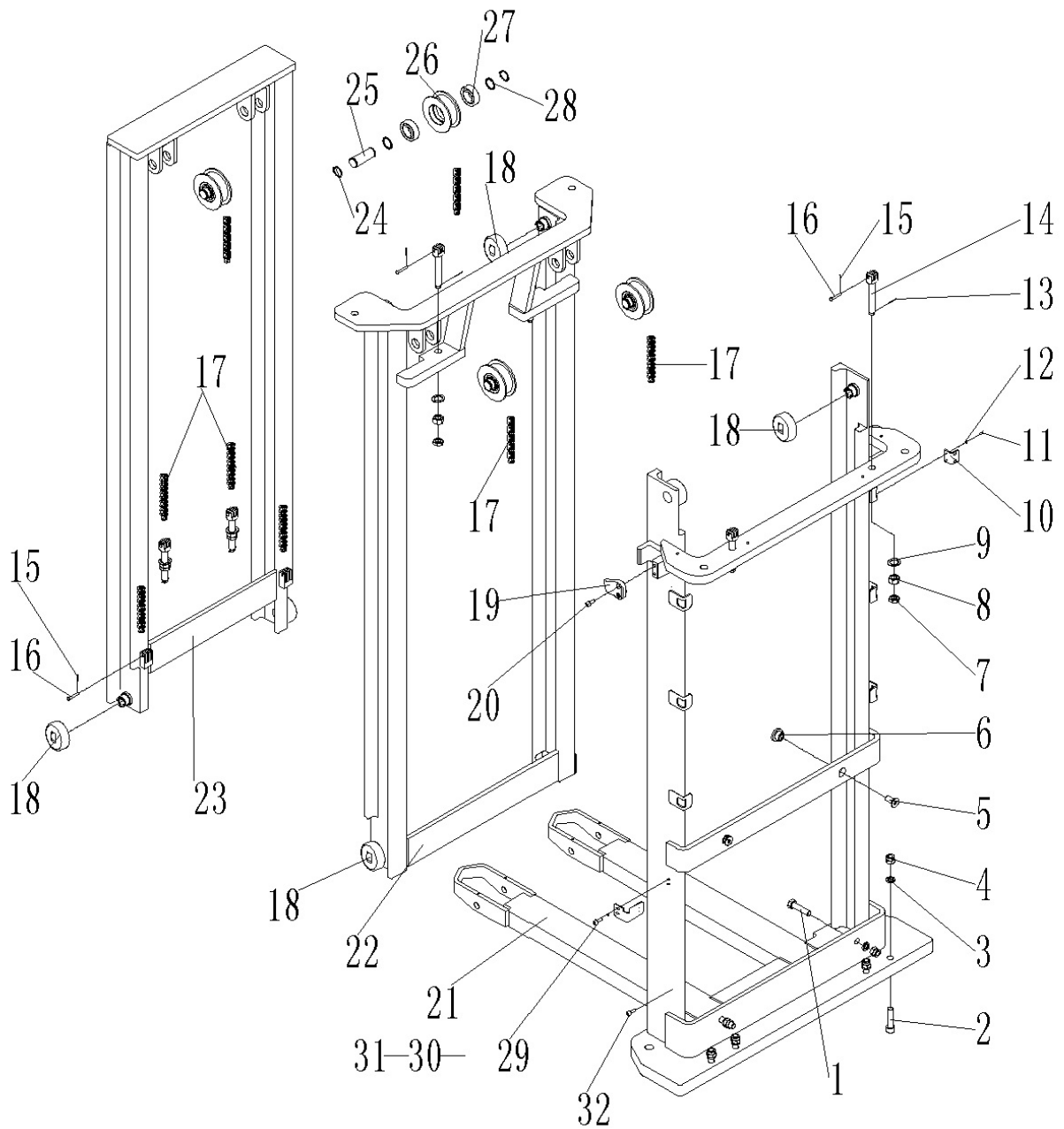
**Fig. 9 Load wheel**



**Fig. 9 Load wheel**

No.	Art No.	Description	Qty.	Note	Standard
1	2000405002	Linking plate	2		
2	0000028009	Dowel pin	4	Ø5×35	GB/T879.1=ISO8752
3	2000407001	Castor shaft	2		
4	2000416002	Load roller	2	Ø80×70	
5	0000027001	Bearing	4	6204	GB/T276=ISO3290
6	9000010398	Load wheel set	2		
①	2000600001	Load wheel assembly	2		

**Fig. 10 Mast Assembly**



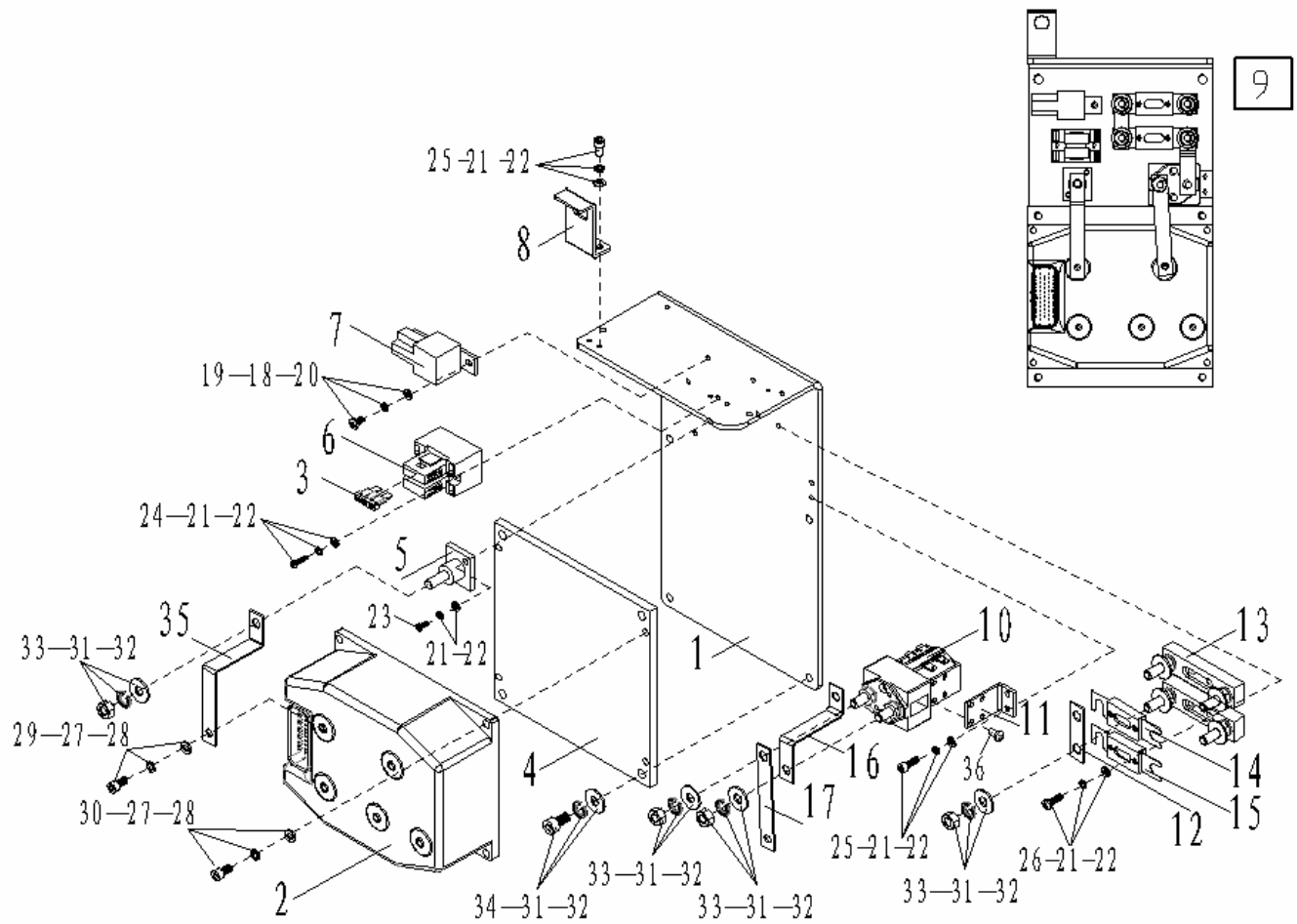
**Fig. 10 Mast Assembly**

No.	Art No.	Description	Qty.	Note	Standard
1	0000023322	Bolt	2	M16×55	GB/T5782=ISO4014
2	0000023514	Screw	4	M16×65	GB/T70.2=ISO7380
3	0000025059	Washer	6	16	GB/T93

4	0000024011	Lock nut	6	M16	GB/T889.1=ISO7040
5	9000007794	Screw	2	M16×38	
6	9000009122	Nut	2	M16	
7	0000024014	Nut	6	M16×1.5	GB/T6173=ISO8675
8	0090000442	Nut	6	M16×1.5	GB/T6171
9	0000025029	Washer	6	16	GB/T91=ISO1234
10	9000009118	Micro switch fixing plate	1		
11	0000023056	Screw	2	M4×12	GB/T70.1=ISO4762
12	0000025018	Washer	2	4	GB/T93
13	0000028104	Split pin	6	∅2.5×25	GB/T91=ISO1234
14	9000008260	Bolt	6		
15	0000028010	Split pin	8	∅2×20	GB/T91=ISO1234
16	0000028017	Hinge pin	8	∅6×35	GB/T882
17	0090000455	Chain	4	LH1066×127	GB/T6074
18	9000007755	Compound roller	8		
19	3018005004	Cylinder pressing plate	2		
20	0000023044	Screw	4	M8×20	GB/T70.1=ISO4762
21	9000008094	Welded outer mast	1	4600; 570×1150	
	9000009412			4600; 685×1150	
22	9000008095	Welded middle mast	1	4600	
23	9000008096	Welded inner mast	1	4600	
24	0000026008	Circlip	8	∅30	GB/T894.1
25	9000009119	Chain wheel shaft	4		
26	2390302024	Chain wheel for mast	4		
27	0000027012	Bearing	8	6206	GB/T276=ISO3290
28	2000302002	Adjusting washer	8		
29	9000009121	Magnet switch holder	1		
30	0000025018	Washer	2	4	GB/T93
31	0000023056	Screw	2	M4×12	GB/T70.1=ISO4762
32	0090000189	Screw	1	M4x8	GB/T70.3=ISO10642



**Fig. 11 Electronic control components(manual steering)**

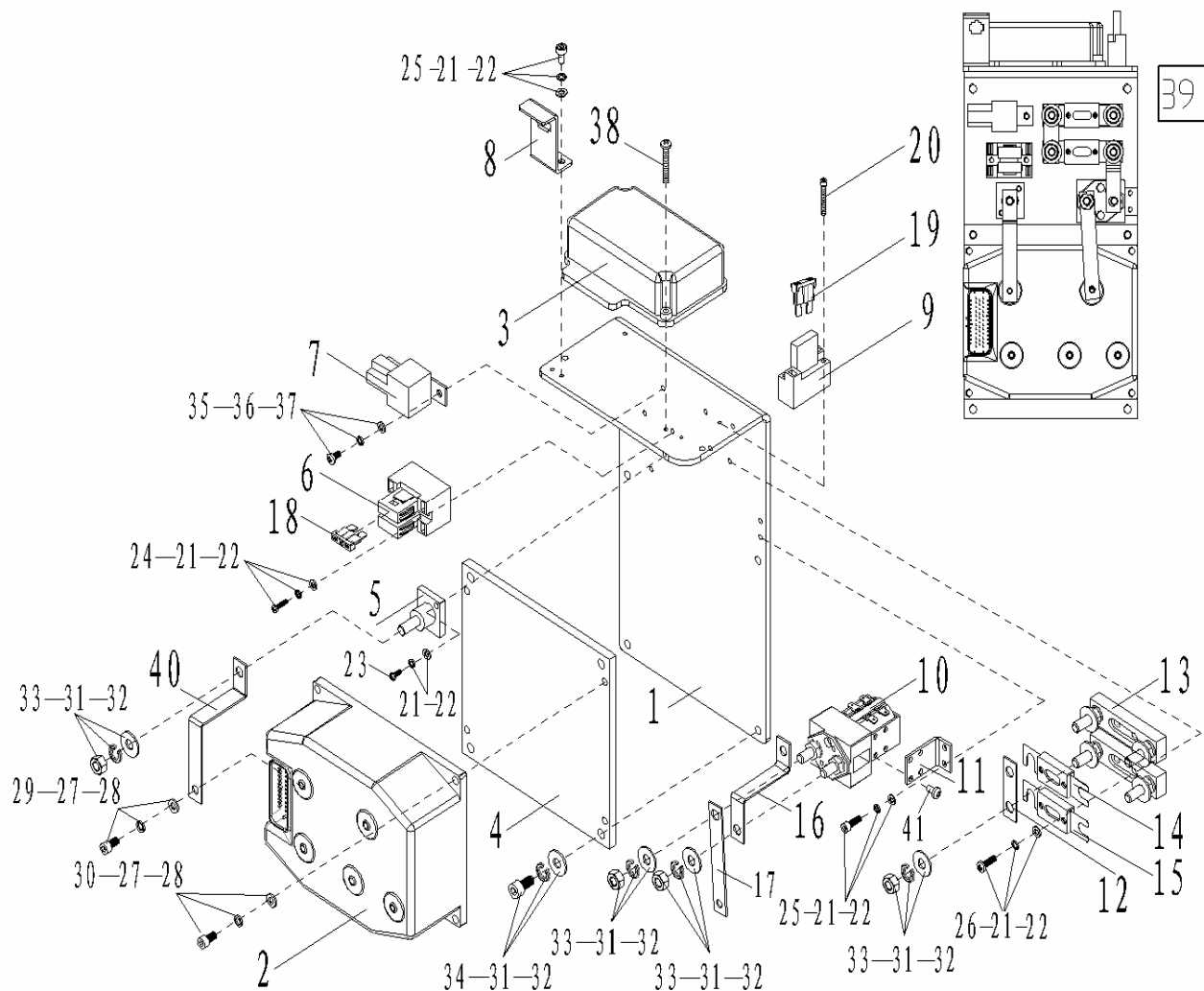


**Fig. 11 Electronic control components(manual steering)**

No.	Art No.	Description	Qty.	Note	Standard
1	9000008138	Controller assembly plate	1		
2	9000000235	Controller CURTIS	1	1232E-2121	
3	1000434040	Fuse	1	10A	

4	9000008376	Aluminium plate	1		
5	1020434002	Wiring terminal	1	BD-M8	
6	9000008586	Fuse seat	1	BD-2×10A	
7	1000434041	Pump contactor	1	DC24V	
8	9000008585	Plug fixing plate	1		
9	9000008409	Controller components	1		
10	1000434006	Traction motor contactor	1	DC24V	
11	9000008598	Main contactor assembly plate	1		
12	1020434003	Copper bar	1		
13	1000434007	Fuse seat	2	SY Y	
14	1020434001	Fuse	1	200A	
15	2210434004	Fuse	1	150A	
16	9000008374	Copper bar	1		
17	9000008373	Copper bar	1		
18	0000023516	Screw	3	M5×10	GB/T818=ISO7045
19	0000025015	Washer	1	5	GB/T93
20	0000025014	Washer	1	5	GB/T95
21	0000025018	Washer	12	4	GB/T93
22	0000025019	Washer	12	4	GB/T95
23	0000023073	Screw	2	M4×10	GB/T70.1=ISO4762
24	0000023019	Screw	2	M4×30	GB/T818=ISO7045
25	0000023307	Screw	4	M4×10	GB/T818=ISO7045
26	0000023211	Screw	4	M4×16	GB/T818=ISO7045
27	0000025010	Washer	9	6	GB/T93
28	0000023055	Washer	9	6	GB/T95
29	0000023478	Screw	5	M6×12	GB/T70.1=ISO4762
30	0000023923	Screw	4	M6×18	GB/T70.1=ISO4762
31	0000025001	Washer	11	8	GB/T93
32	0000025011	Washer	11	8	GB/T95
33	0000024086	Nut	11	M8	GB/T6170=ISO4032
34	0000023067	Screw	4	M8×16	GB/T70.1=ISO4762
35	9000008372	Copper bar	1		
36	0000023727	Screw	2	M4×6	GB/T818=ISO7045

**Fig. 12 Electronic control assembly(electrical steering)**

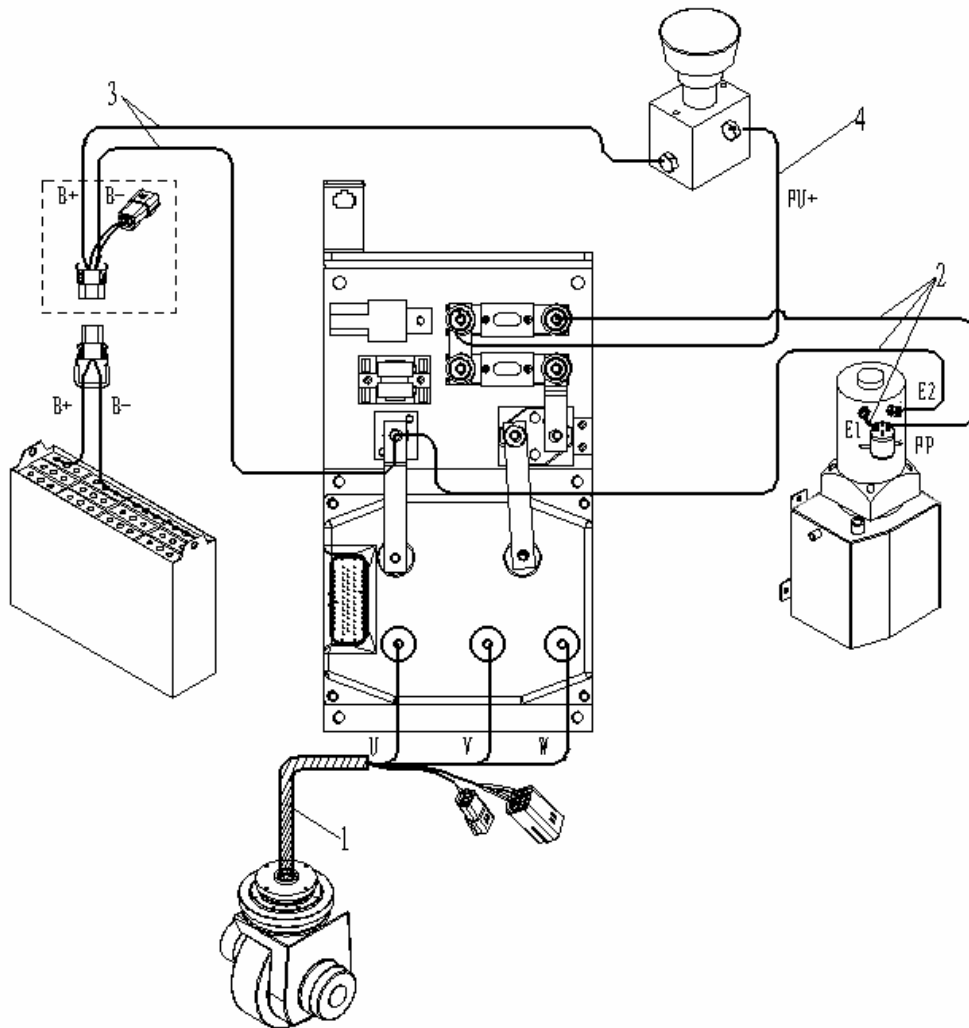


**Fig. 12 Electronic control assembly(electrical steering)**

No.	Art No.	Description	Qty.	Note	Standard
1	9000008138	Controller plate	1		
2	9000000235	Controller	1	CURTIS1232E-2121	
3	9000000236	Steering controller	1	BD-SC-24/10	
	9000008451			BD-SC-24/10-3	
4	9000008376	Aluminium plate	1		
5	1020434002	Wiring terminal	1	BD-M8	
6	9000008586	Fuse seat	1	BD-2×10A-1	
7	1000434041	Pump contactor	1	DC24V	

8	9000008585	Plug fixing plate	1		
9	1000434021	Fuse seat	1	BD-1×10A	
10	1000434006	Traction motor contactor	1	DC24V	
11	9000008598	Main contactor assemble plate	1		
12	1020434003	Copper bar	1		
13	1000434007	Fuse seat	2	SYT	
14	1020434001	Fuse	1	200A	
15	2210434004	Fuse	1	150A	
16	9000008374	Copper bar	1		
17	9000008373	Copper bar	1		
18	1000434040	Fuse	1	10A	
19	3042434014	Fuse	1	15A	
20	0000023070	Screw	2	M3×25	GB/T70.1=ISO4762
21	0000025018	Washer	12	4	GB/T93
22	0000025019	Washer	12	4	GB/T95
23	0000023073	Screw	2	M4×10	GB/T70.1=ISO4762
24	0000023019	Screw	2	M4×30	GB/T818=ISO7045
25	0000023307	Screw	4	M4×10	GB/T818=ISO7045
26	0000023211	Screw	4	M4×16	GB/T818=ISO7045
27	0000025010	Washer	9	6	GB/T93
28	0000023055	Washer	9	6	GB/T95
29	0000023478	Screw	5	M6×12	GB/T70.1=ISO4762
30	0000023923	Screw	4	M6×18	GB/T70.1=ISO4762
31	0000025001	Screw	12	8	GB/T93
32	0000025011	Washer	11	8	GB/T95
33	0000024086	Nut	12	M8	GB/T6170=ISO4032
34	0000023067	Screw	4	M8×16	GB/T70.1=ISO4762
35	0000023516	Screw	3	M5×10	GB/T818=ISO7045
36	0000025015	Washer	1	5	GB/T93
37	0000025014	Washer	1	5	GB/T95
38	0090000082	Screw	2	M4×30	GB/T70.1=ISO4762
39	9000008597	Controller components	1		
40	9000008372	Copper bar	1		
41	0000023727	Screw	2	M4×6	GB/T818=ISO7045

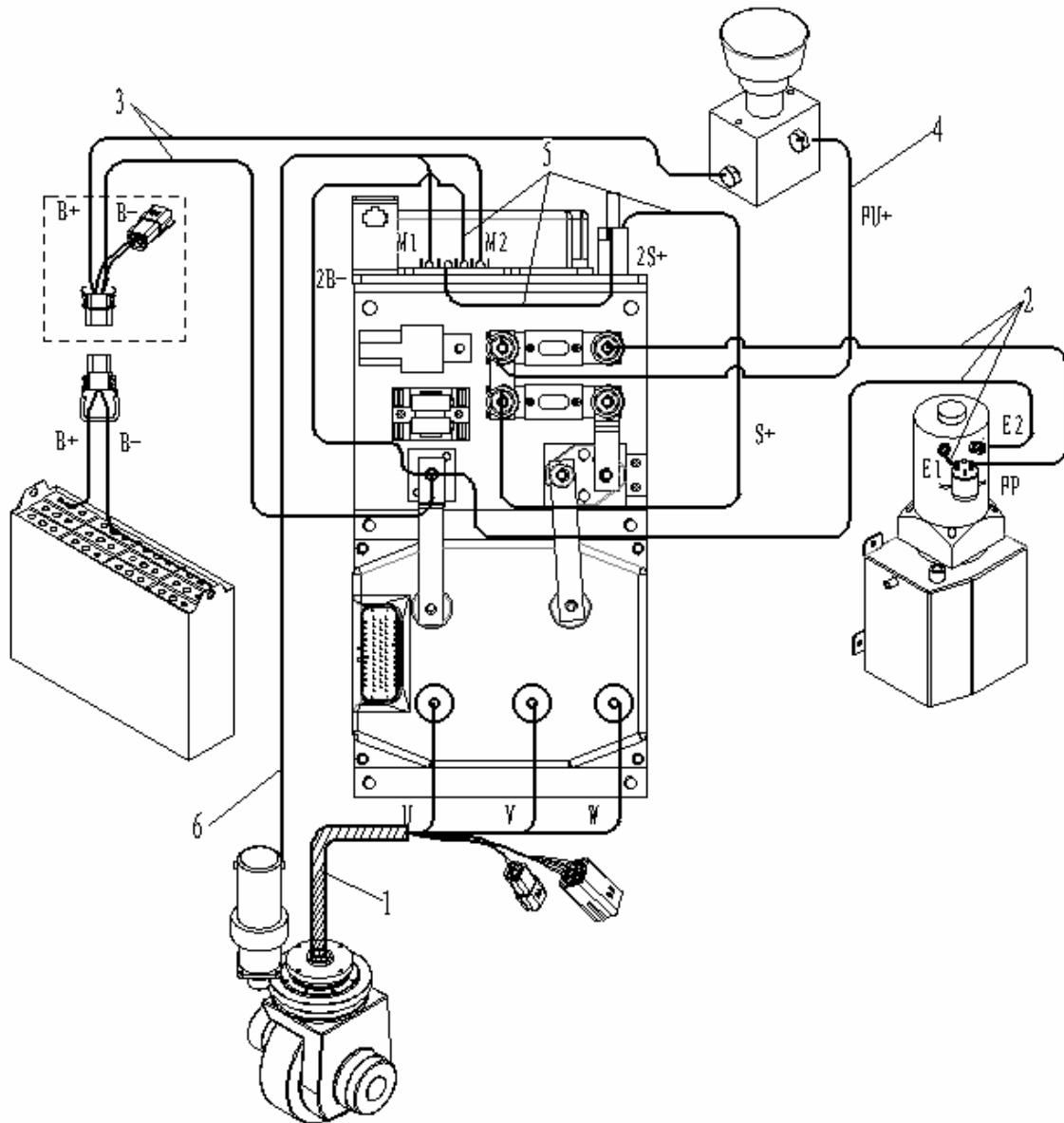
**Fig. 13 Main harness(manual steering)**



**Fig. 13 Main Harness(manual steering)**

No.	Art No.	Description	Qty.	Note	Standard
1	9000009425	Drive motor cable	1		
2	9000008430	Pump motor cable	1		
3	9000008431	Power supply cable	1		
4	9000008432	FU+ cable	1		

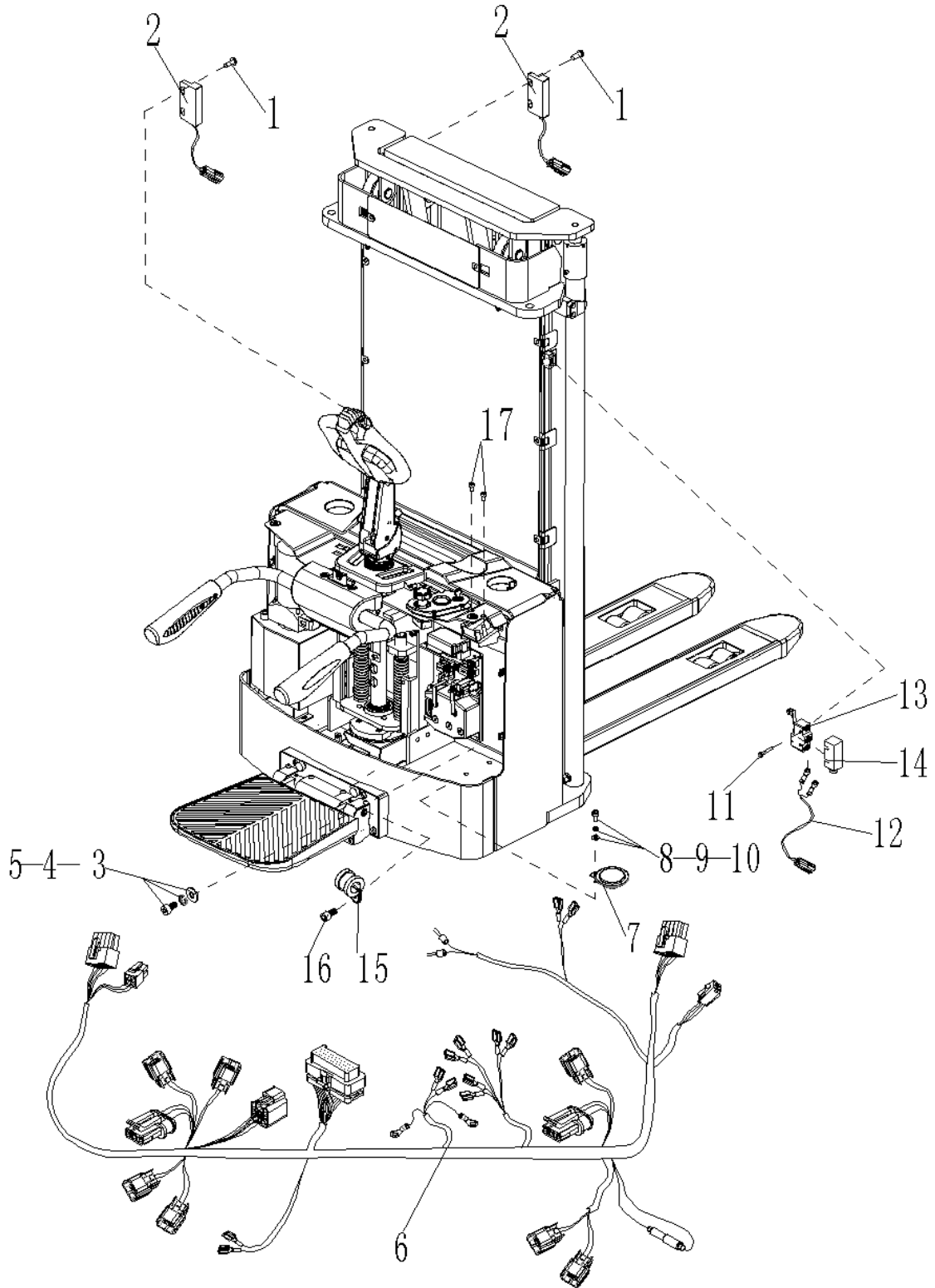
**Fig. 14 Main Harness(electrical steering)**



**Fig. 14 Main Harness(electrical steering)**

No.	Art No.	Description	Qty.	Note	Standard
1	900008429	Drive motor cable	1		
2	900008430	Pump motor cable	1		
3	900008431	Power supply cable	1		
4	900008432	FU+ cable	1		
5	900008433	Steering controller cable	1		
6	900008434	Steering motor cable	1		

Fig. 15 Electric parts(manual steering)

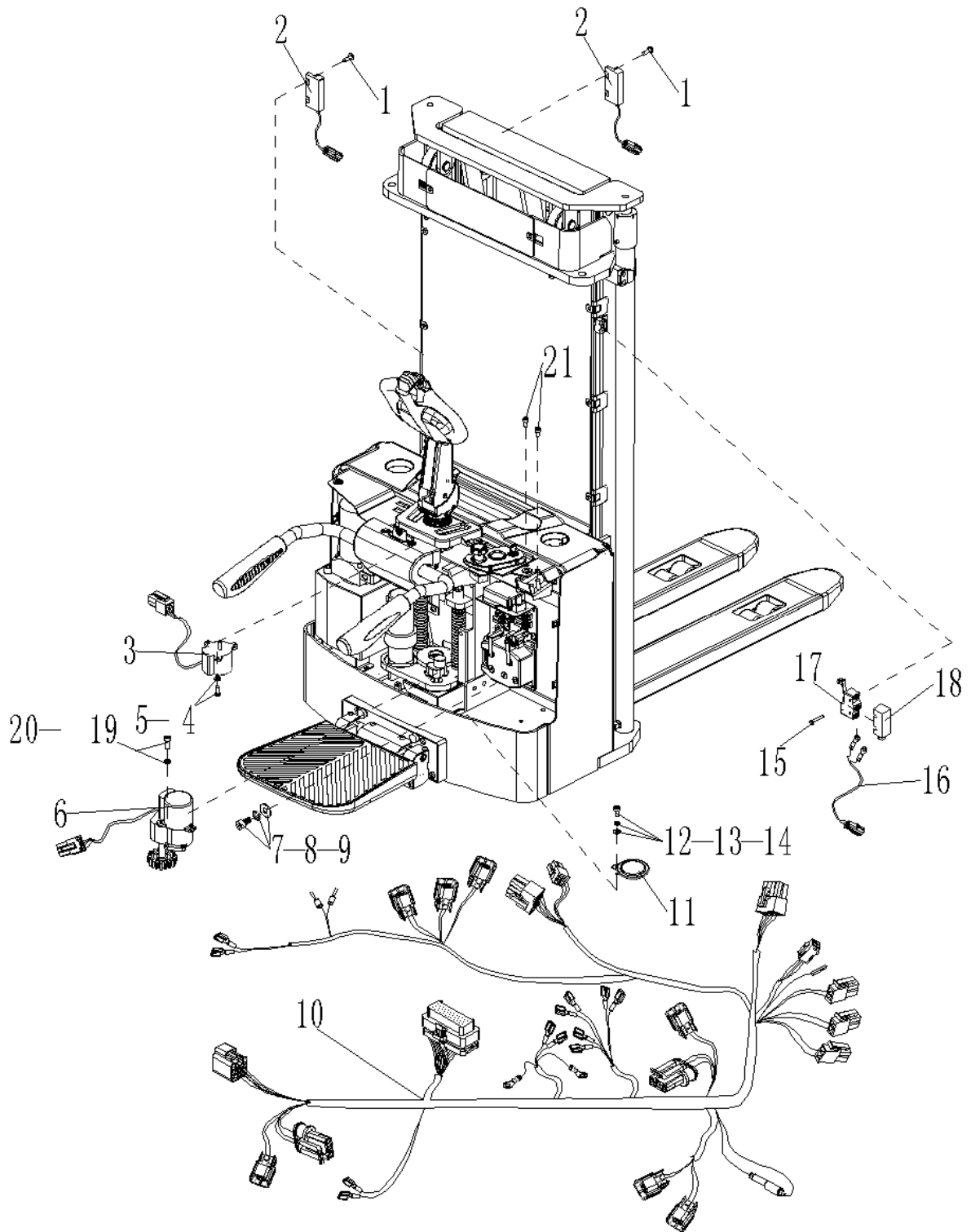


**Fig.15 Electric parts(manual steering)**

No.	Art No.	Description	Qty.	Note	Standard
1	0000023083	Screw	4	M3×8	GB/T70.2=ISO7380
2	9000008332	Magnet switch	2	HWK23	
3	0000023044	Screw	4	M8×20	GB/T70.1=ISO4762
4	0000025001	Washer	4	8	GB/T93
5	0000025011	Washer	4	8	GB/T97.1
6	9000009424	Main control wiring diagram	1		
7	1000434015	Horn	1	DC24V	
8	0000023478	Screw	1	M6×12	GB/T70.1=ISO4762
9	0000025010	Washer	1	6	GB/T93
10	0000023055	Washer	1	6	GB/T97.1
11	0000023033	Screw	2	M4×25	GB/T70.1=ISO4762
12	9000008404	Limit control wiring harness	1		
13	2040634001	Micro switch	1	XZ-15GW22-B	
14	2040603002	Micro switch cover	1		
15	90000089545	YGE hose clamp	1	26X20	
16	0000023042	Screw	1	M6×10	GB/T70.1=ISO4762
17	0000023106	Screw	2	M6×30	GB/T70.1=ISO4762



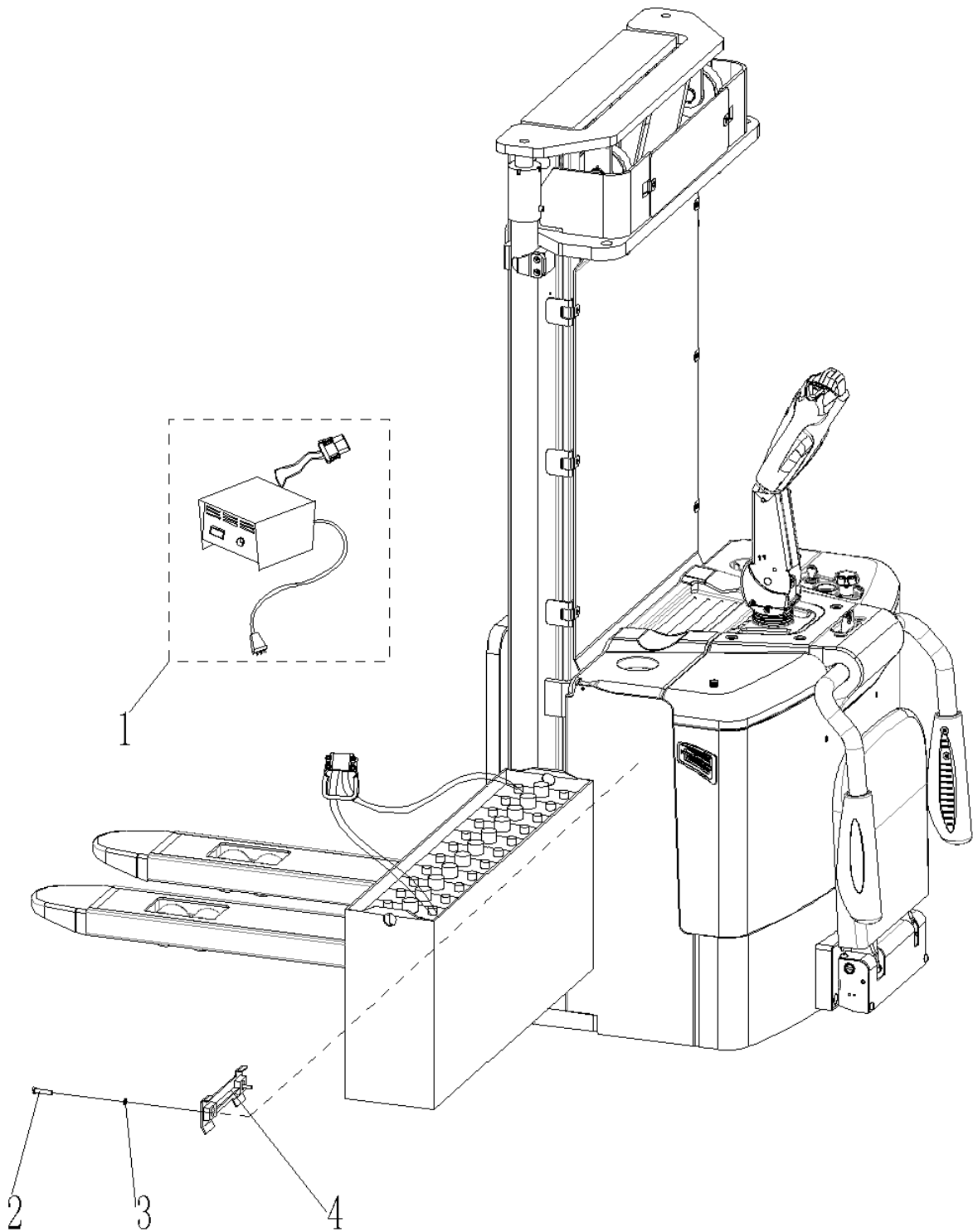
Fig. 16 Electric parts(electrical steering)



**Fig.16 Electric parts(electrical steering)**

No.	Art No.	Description	Qty.	Note	Standard
1	0000023083	Screw	4	M3x8	GB/T70.2=ISO7380
2	9000008332	Magnet switch	2	HWK23	
3	9000000239	Tiller sensor	1	BD-MS	
	9000008448			BD-MS-3	
4	0000025026	Washer	3	3	GB/T97.1
5	0000023216	Screw	3	M3×8	GB/T70.1=ISO4762
6	9000007132	Position sensor	1	BD-PS	
	9000008450		1	BD-PS-3	
7	0000023044	Screw	4	M8×20	GB/T70.1=ISO4762
8	0000025001	Washer	4	8	GB/T93
9	0000025011	Washer	4	8	GB/T97.1
10	9000008427	Main control wiring diagram	1		
11	1000434015	Horn	1	DC24V	
12	0000023478	Screw	1	M6×12	GB/T70.1=ISO4762
13	0000025010	Washer	1	6	GB/T93
14	0000023055	Washer	1	6	GB/T97.1
15	0000023033	Screw	2	M4×25	GB/T70.1=ISO4762
16	9000008428	Limit control wiring harness			
17	2040634001	Micro switch	1	XZ-15GW22-B	
18	2040603002	Proximity switch cover	1		
19	0000023041	Screw	4	M4×30	GB/T818=ISO7045
20	0000025019	Washer	4	4	GB/T97.1
21	0000023106	Screw	2	M6×30	GB/T70.1=ISO4762

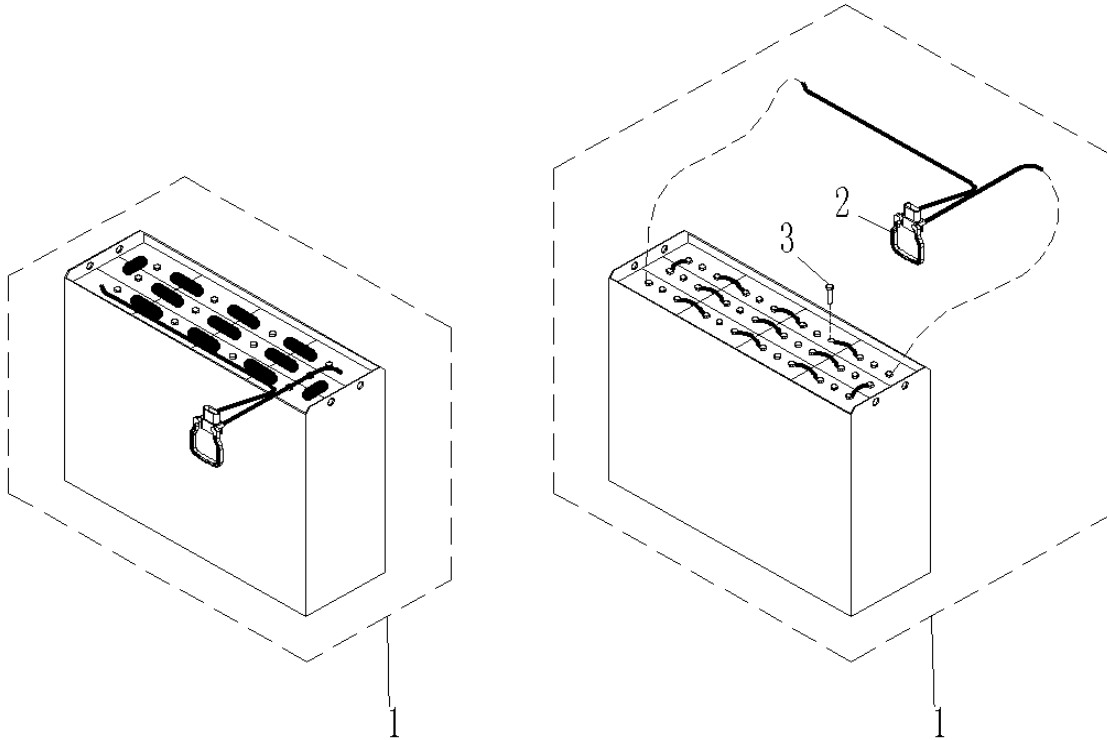
**Fig. 17 Power supply assembly**



**Fig. 17 Power supply assembly**

No.	Art No.	Description	Qty.	Note	Standard
1	9000010147	Charger	1	Asia in Chinese	
	9000010148			Asia in English	
	9000010194			For EU	
	9000010195			For AUS	
	9000010196			For UK	
	9000010197			For USA	
2	0000023250	Bolt	2	M8x30	GB/T5783
3	0000025004	Washer	2	8	GB/T93
4	9000008083	Welded battery limit	1		

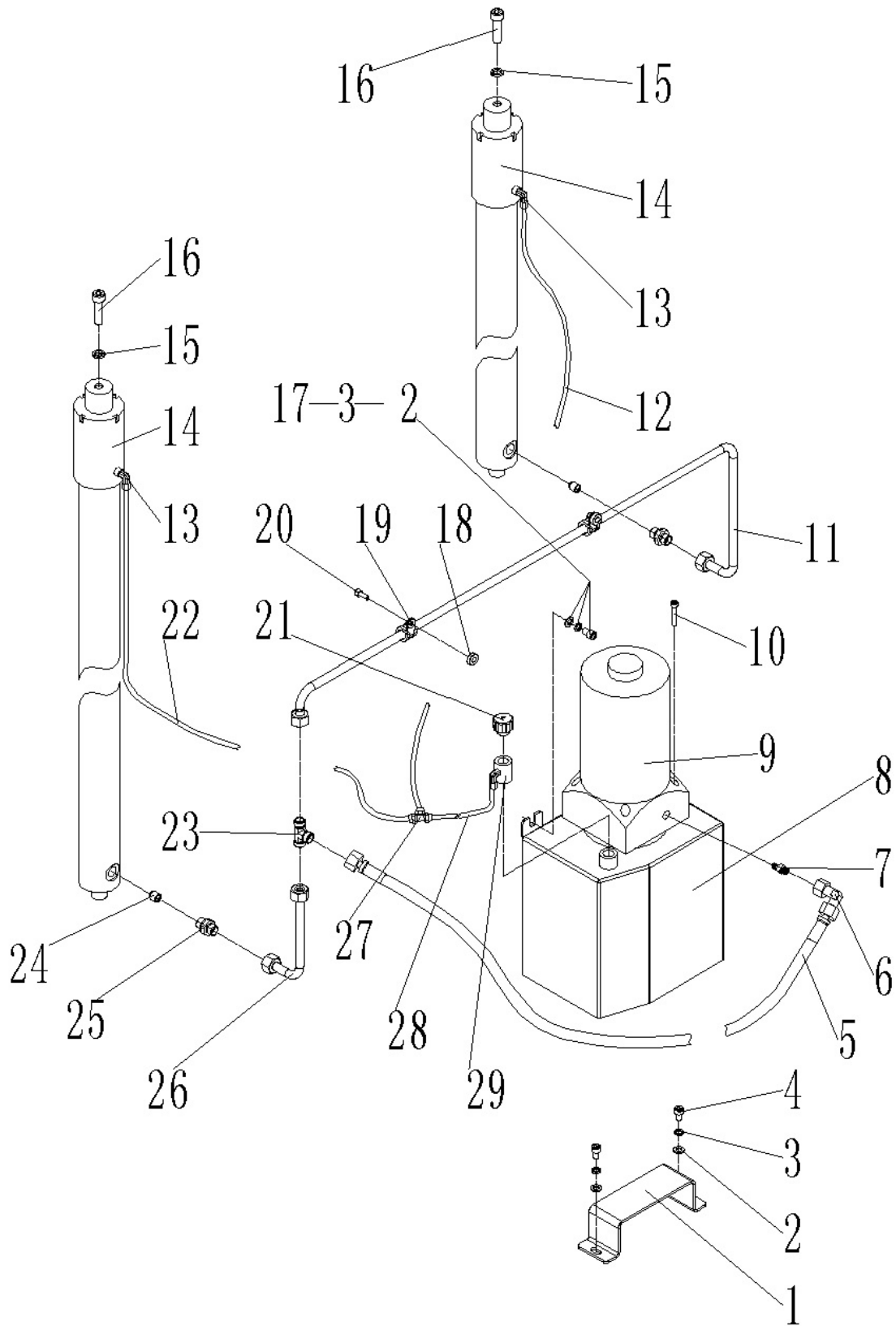
**Fig. 18 Battery**



**Fig.18 Battery**

No.	Art No.	Description	Qty.	Note	Standard
1	9000008093	Battery	1	weld type	
	9000009994			bolt type	
2	9000009996	Connector	1	only for bolt type battery	
3	9000009832	Screw	24	only for bolt type battery	

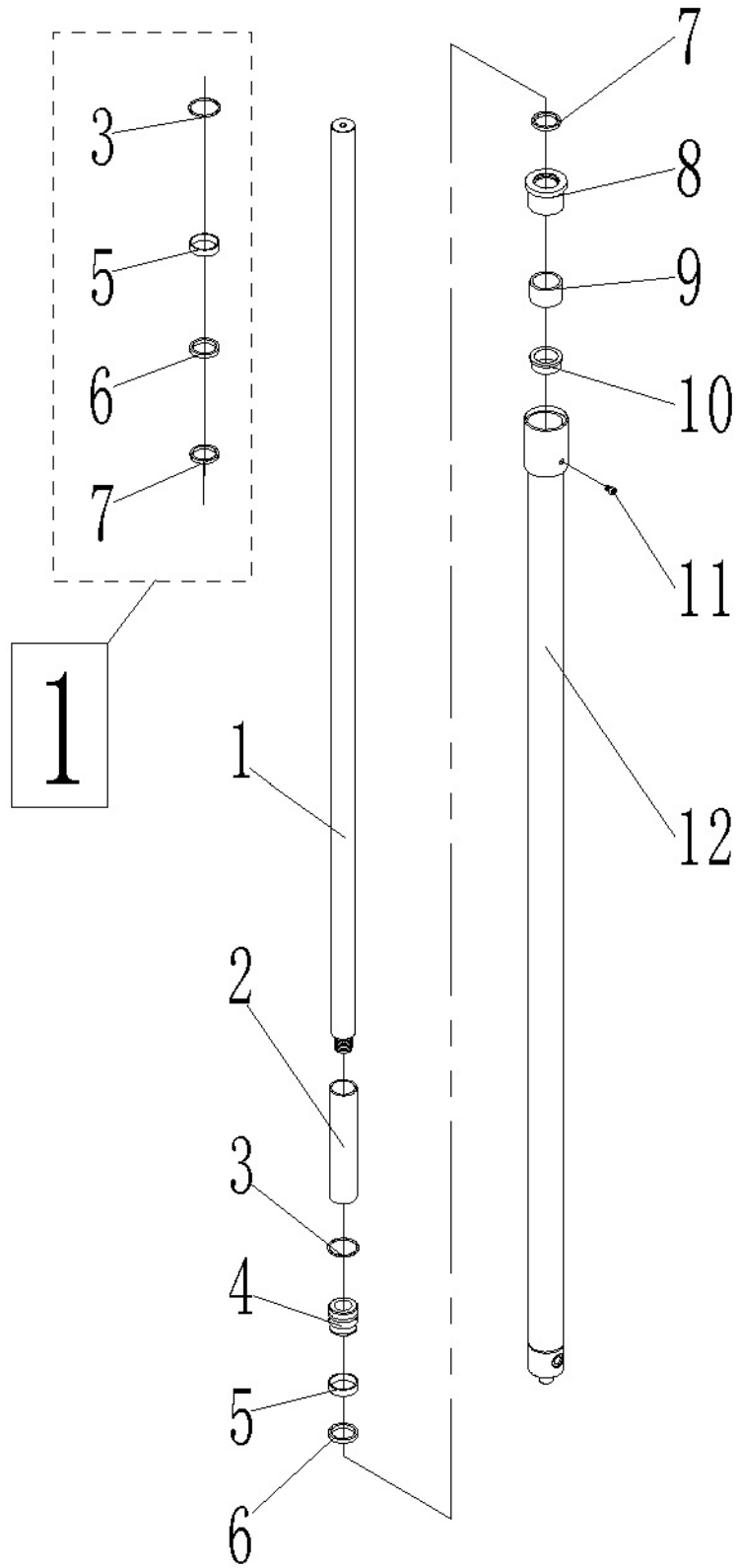
Fig. 19 Hydraulic system



**Fig.19 Hydraulic System**

No.	Art No.	Description	Qty.	Note	Standard
1	9000008087	Oil tank supporting plate	1		
2	0000025011	Washer	4	8	GB/T95
3	0000025001	Washer	4	8	GB/T93
4	0000023067	Screw	2	M8×16	GB/T70.2=ISO7380
5	9000007815	Tube assembly	1		
6	9000007838	Steering connecting joint	1		
7	9000007832	G straight joint	1		
8	9000008090	Welded cylinder	1		
9	9000008867	DC power unit	1		
10	0000023090	Screw	4	M6×35	GB/T70.1=ISO4762
11	9000008088	Steel pipe	1		
12	9000008099	Oil return pipe	1		
13	2010317001	Angle	3		
14	9000008104	Cylinder assembly	2		
15	0000025024	Washer	2	12	GB/T93
16	0000023156	Screw	2	M12×25	GB/T70.1=ISO4762
17	0000023415	Screw	2	M8×10	GB/T70.1=ISO4762
18	9000008091	Washer	2		GB/T95
19	9000008325	YGE hose clamp	2		
20	0000023040	Screw	2	M6×16	GB/T70.1=ISO4762
21	2000303001	Vent plug	1		
22	9000008098	Oil return pipe	1		
23	9000008887	Steering connecting joint	1		
24	9000009120	Long joint	1		
25	2000337001	Safety valve components	1		
26	9000007842	Straight joints	3		
27	9000008086	Steel pipe	1		
28	2250317004	Three-way oil-returning joint	1		
29	9000008089	Oil return pipe	1		
30	2010317003	Joint	1		

Fig. 20 Cylinder

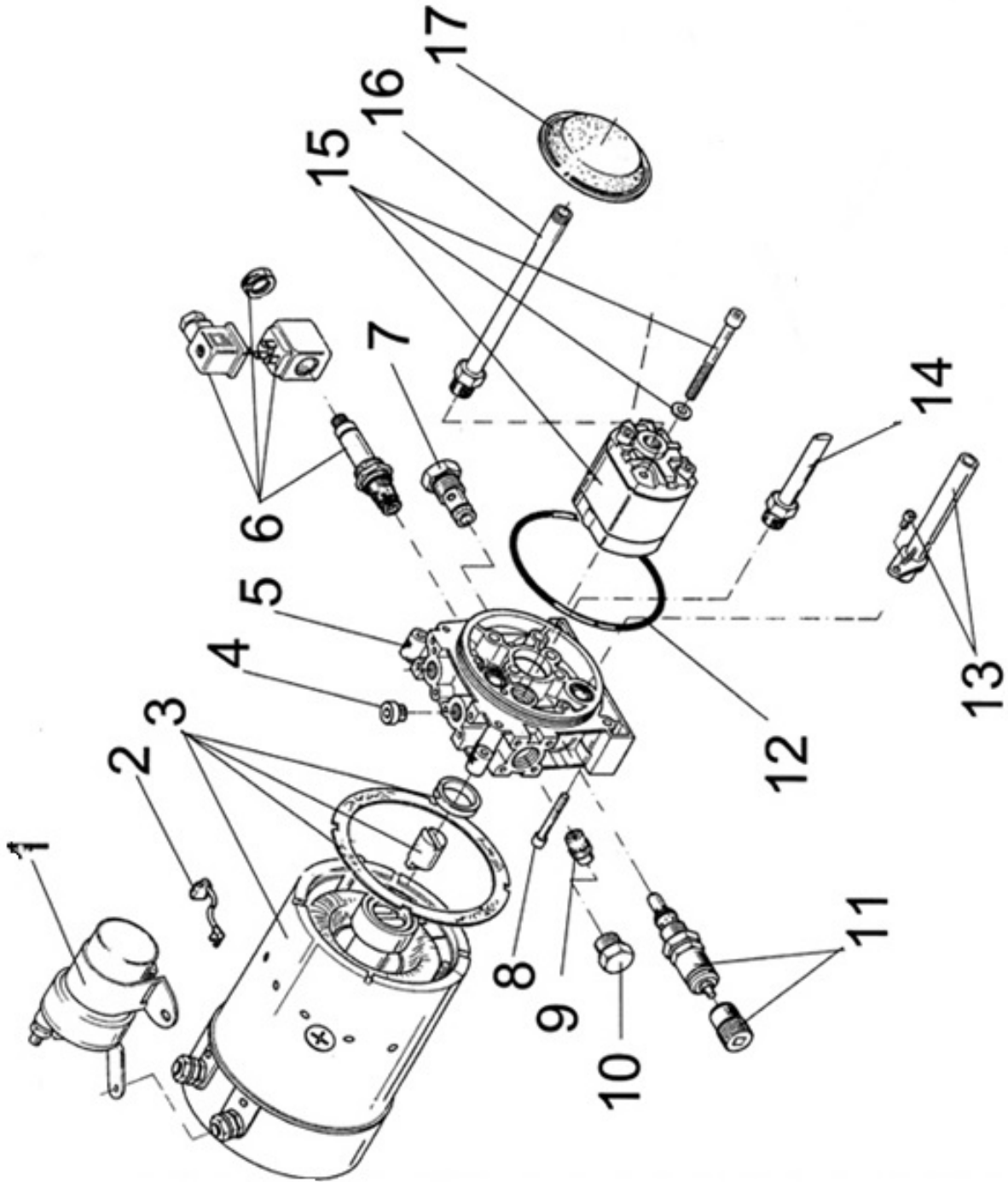




**Fig. 20 Cylinder**

No.	Art No.	Description	Qty.	Note	Standard
1	9000009417	Piston rod	1	3400	
2	9000009419	Bushing	1		
3	0000022029	O ring	1	50×3.1	GB1235
4	9000009420	Piston	1		
5	9000009182	Support ring for hole	1	46×50×15	
6	9000009178	Y ring for hole	1	40×50×6/7	
7	9000009169	Dust ring	1	40×48×5/6.5	
8	9000009414	Cap nut	1		
9	9000009415	Bushing	1		
10	9000009416	Guide bushing	1		
11	0090000120	Vent plug	1	RC1/8	JB/ZQ4446
12	9000009418	Welded cylinder body	1	3400	
□	9000009952	Cylinder seal kit			

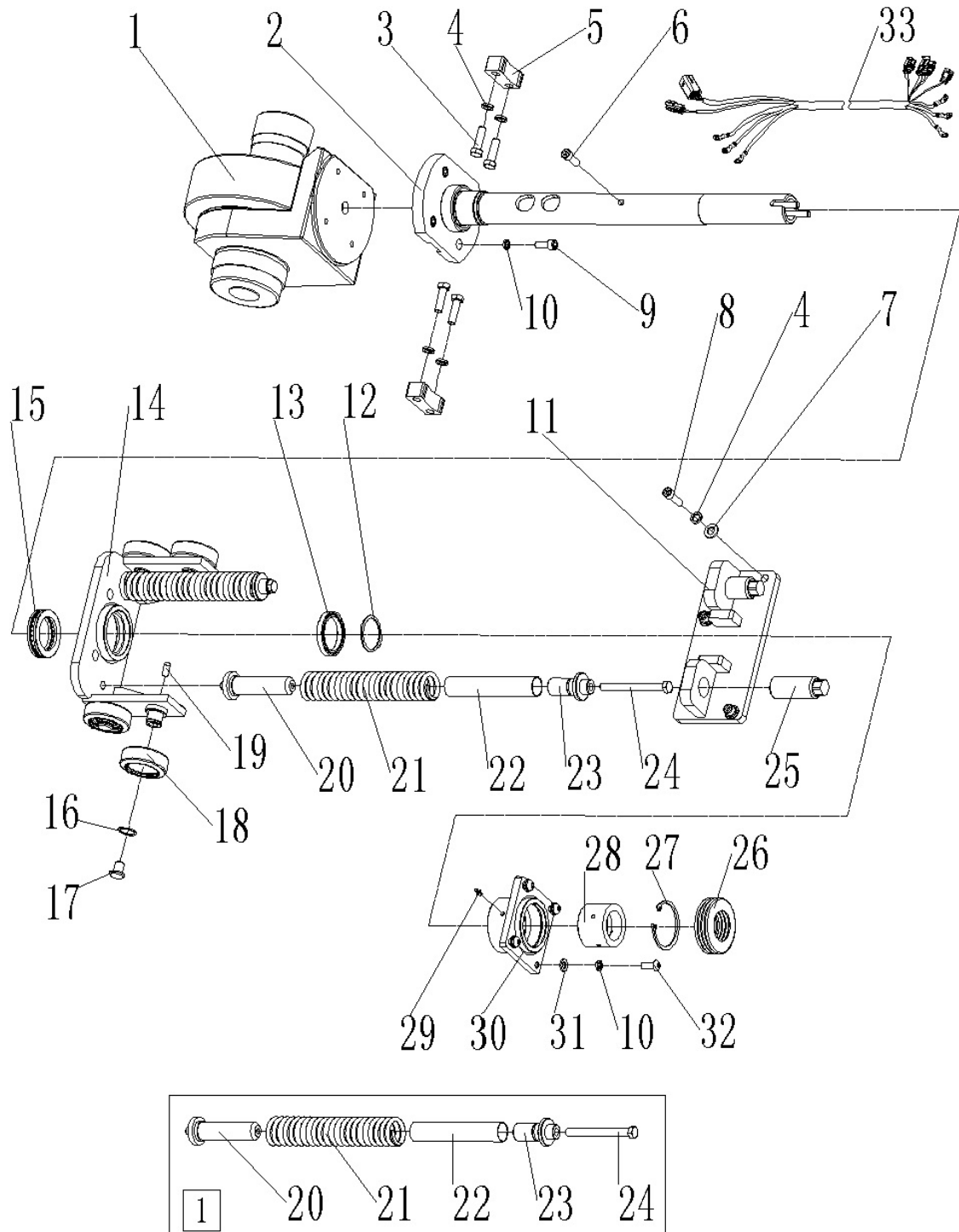
Fig. 21 Pump system



**Fig. 21 Pump system**

No.	Parts No.	Item	Qty.	Note	Standard
1	2040334001	Pump contactor	1		
2	9000003582	Carbon brush(assembly)	1		
3	9000003583	Motor	1		
4	2000323001	Plug	1		
5	2000300002	Valve	1		
6	2000335003	Solenoid valve	1		
7	2000335004	Check valve	1		
8	2000323002	Screw	4		
9	9000008870	Flow control valve	1	7.5L/min	
10	2000323003	Bolt	1		
11	2040315003	Overflow valve	1		
12	2000322004	O ring	1		
13	2000317008	Oil return pipe	1		
14	2040317008	Oil return pipe	1		
15	9000008874	Gear pump 3.2cc/r	1		
16	9000008873	Oil suction pipe	1	L=250.50mm	
17	2000300004	Filter	1		

**Fig. 22 Drive system(manual steering)**

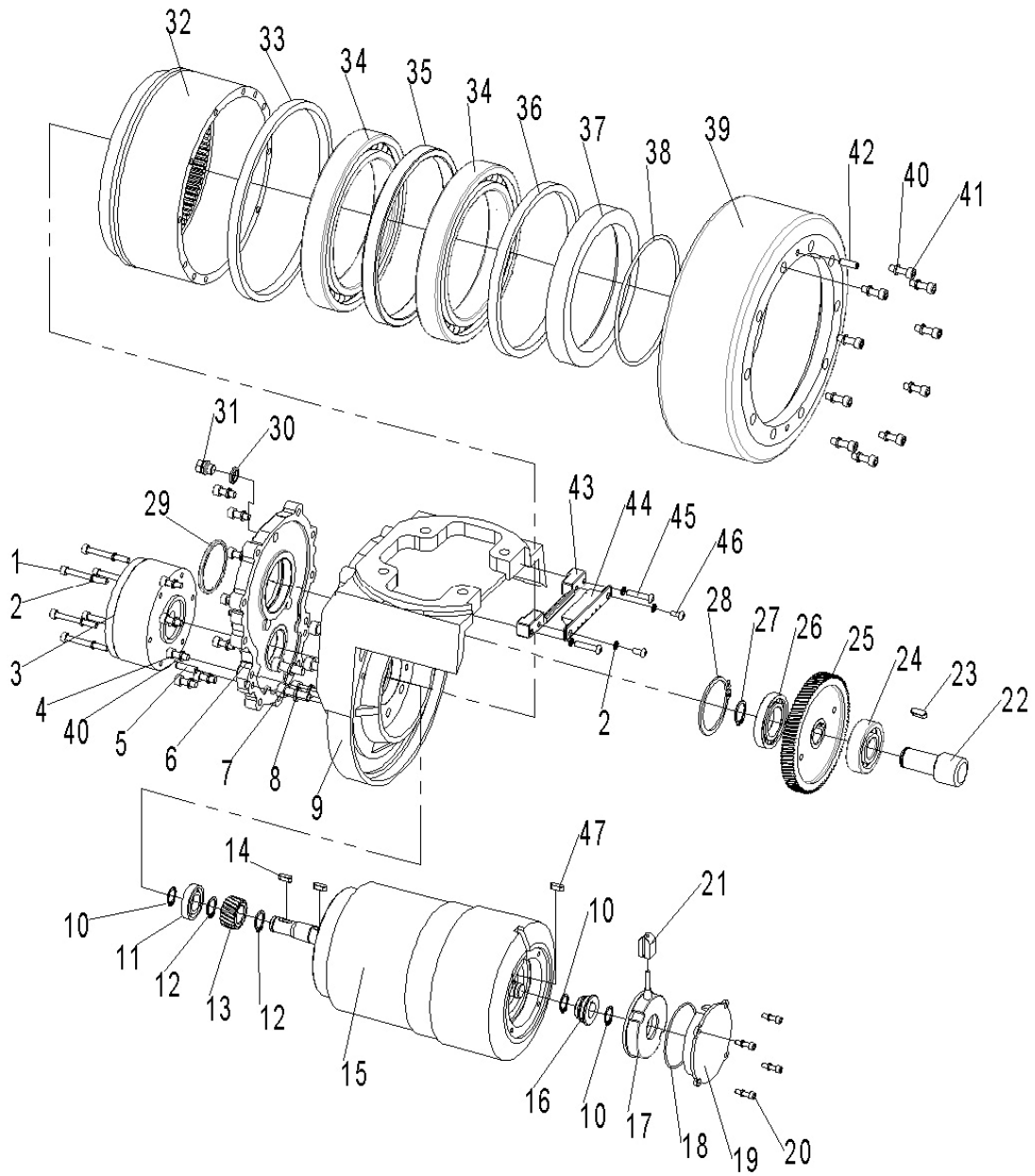


**Fig.22 Drive system(manual steering)**

No.	Art No.	Description	Qty.	Note	Standard
1	9000007773	Drive wheel	1		

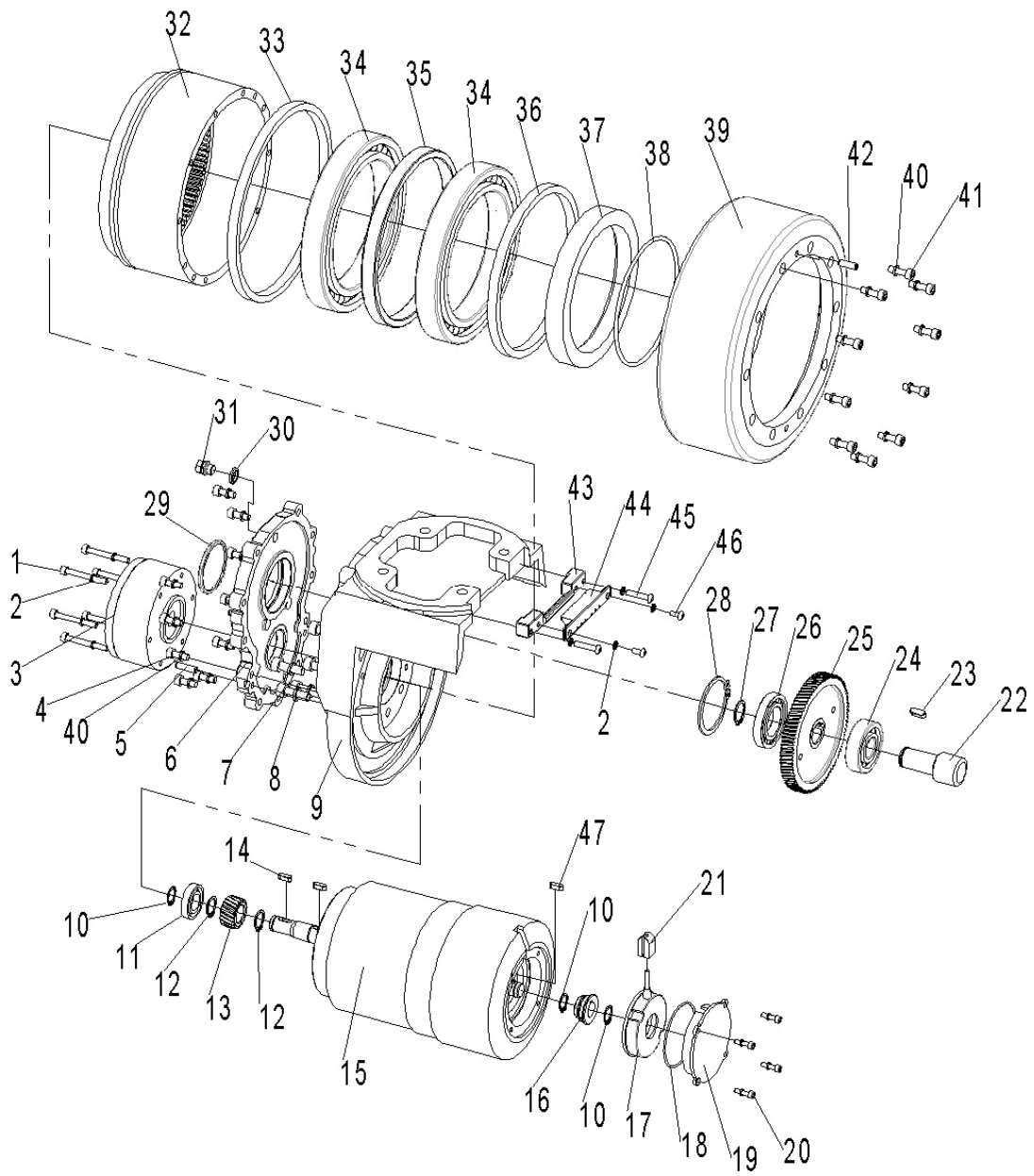
2	9000008092	Welded long axle	1		
3	0000023184	Bolt	4	M12×40	GB/T5783
4	0000025024	Washer	8	12	GB/T93
5	9000008134	Limit block	2		
6	0000023158	Screw	1	M10×30	GB/T70.1=ISO4762
7	0000025032	Washer	4	12	GB/T95
8	0000023082	Screw	4	M12×35	GB/T70.1=ISO4762
9	0000023088	Screw	4	M10×25	GB/T70.1=ISO4762
10	0000023006	Washer	8	10	GB/T93
11	9000008145	Welded fixing frame	1		
12	0000026015	Circlip	1	∅55	GB/T894.1
13	0090000456	Bearing	1	61811-Z	GB/T276=ISO3290
14	9000008149	Welded wheel frame	1		
15	0000027085	Bearing	1	51111	GB/T301
16	0000026013	Circlip	4	∅25	GB/T894.1
17	9000008152	Adjusting block	4		
18	9000008153	Roller	4		
19	0090000457	Screw	4	M12×20	GB/T77
20	9000008147	Spring guide	2		
21	2000231002	Spring	2	∅7×∅40×342	
22	2000208001	Spring guide bushing	2	∅32×∅29×165	
23	9000008148	Spring press cover	2		
24	2000223001	Bolt	2	M10×180	
25	9000008144	Adjusting stud	2		
26	9000008143	Dust cover	1		
27	0000026020	Circlip	1	∅70	GB/T893.1
28	9000008151	Nylon guide sleeve	1		
29	0000030002	Oil cup	1	M6	JB/T7940.1
30	9000008150	Welded guide sleeve	1		
31	0000025002	Washer	4	10	GB/T95
32	0000023038	Bolt	4	M10×25	GB/T5783
33	9000008429	Drive motor wiring harness	1		
①	9000008146	Spring components	2		

Fig. 23 Drive wheel(43EL)



**Fig.23 Drive wheel(43EL)**

No.	Art No.	Description	Qty.	Note	Standard
1	0090000101	Screw	6	M5×45	GB/T70.1=ISO4762
2	0000025012	Spring washer	10	5	GB/T93-1987
3	9000008846	Brake	1		
4	0000023040	Screw	11	M6×16	GB/T70.1=ISO4762
5	0000028175	Pin	2	6×22	GB/T120.2-
6	9000008847	Gear box cover	1		
7	0000023047	Screw	5	M8×25	GB/T70.1=ISO4762
8	0000025012	Washer	5	8	GB/T93
9	9000008848	Gear box	1		
10	0000026004	Circlip	3	15	GB894.1
11	0000022232	Oil seal	1	17×35×7	GB/T9877
12	0000026005	Circlip	2	17	GB/T894.1
13	9000008849	Small gear	1		
14	0000036002	Flat key	2	A5×14	GB/T1096
15	9000008850	AC motor	1		
16	9000008851	Shaft sleeve	1		
17	9000008852	Sensor	1		
18	0000022002	O seal ring	1	6.3×1.8	GB/T3452.1
19	9000008853	Protective cover	1		
20	0090000473	Screw	4	M4×10	GB/T70.3=ISO10642
21	9000008854	Bushing	1		
22	9000008855	Gear shaft	1		
23	0000036001	Flat key	1	A6×16	GB/T1096
24	0000027067	Bearing	1	6304	GB/T276=ISO3290
25	9000008856	Big gear	1		
26	0090000285	Bearing	1	6006	GB/T276=ISO3290
27	0000026003	Circlip	1	20	GB/T894.1
28	0000026007	Circlip	1	55	GB/T893.1
29	9000008857	Cover	1		
30	0000025021	Washer	1	10	JB/T982
31	2000303001	Vent plug	1	10	
32	9000008858	Internal gear	1		
33	0000022007	Oil seal	1	188×202×10	GB/T9877

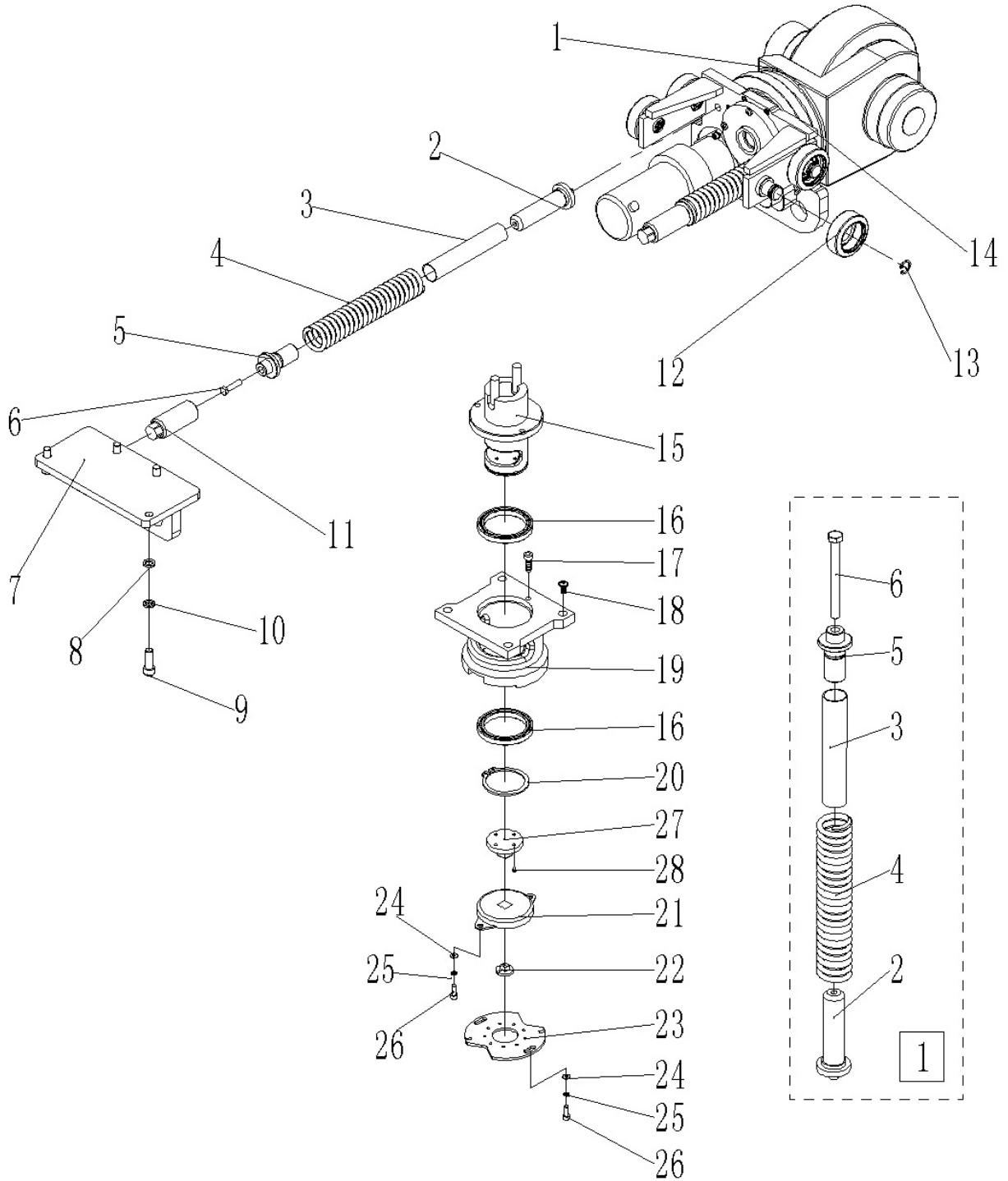




**Fig.23 Drive wheel(43EL)**

34	0090000453	Bearing	2	61926-2LS	GB/T276=ISO3290
35	9000008859	Bushing	1		
36	0090000178	Oil seal	1	160×175×10	GB/T9877
37	9000008860	Oil seal seat	1		
38	0090000454	O ring	1	125×3.55	GB/T3452.1
39	9000008861	Drive wheel	1		
40	0000025006	Washer	21	6	GB/T93
41	0000023062	Screw	10	M6×20	GB/T70.1=ISO4762
42	0000028177	Dowel pin	2	6×20	GB/T119.1
43	9000008862	Down wire holder	1		
44	9000008863	Upper wire holder	1		
45	0000023065	Screw	2	M5×25	GB/T70.2=ISO7380
46	0090000041	Screw	2	M5×10	GB/T70.2=ISO7380
47	0090000475	Flat key	1	A 5×10	GB/T1096

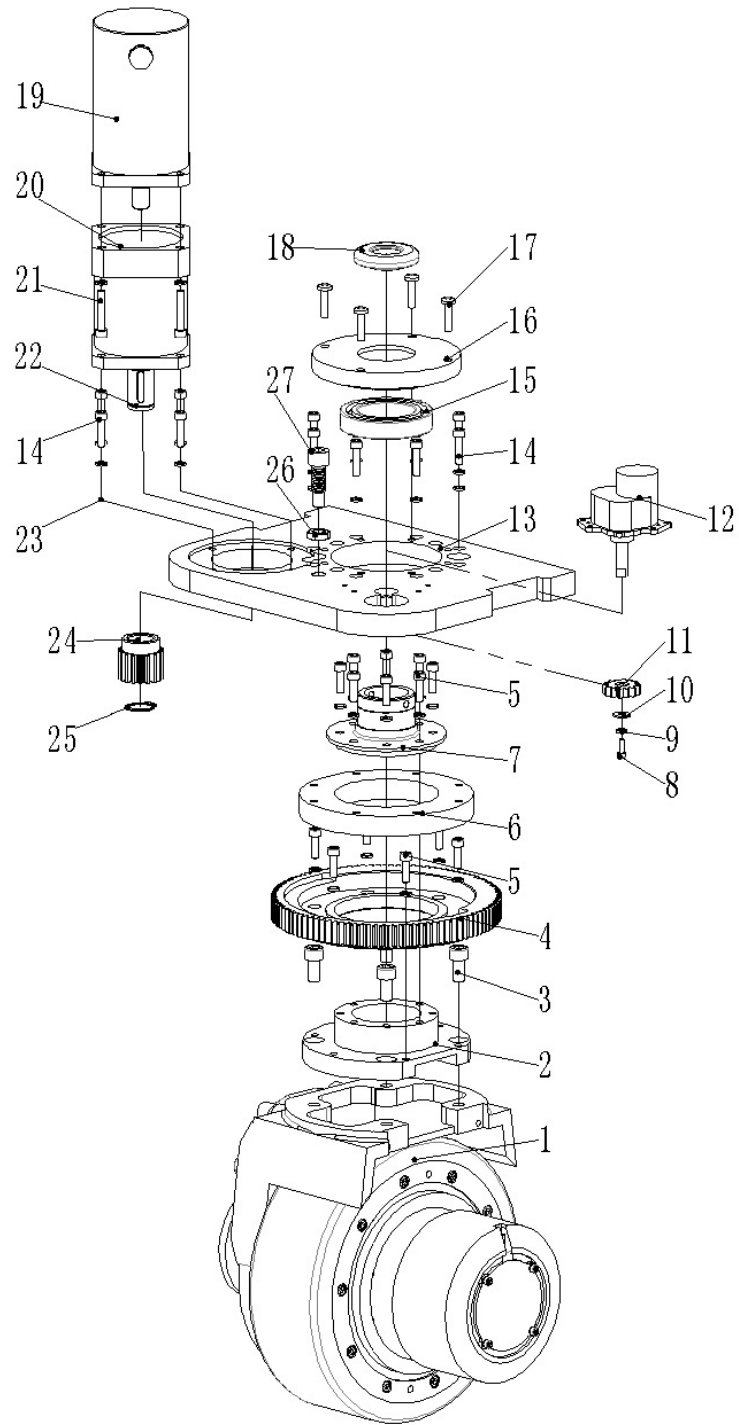
Fig. 24 Drive system(electrical steering)



**Fig.24 Drive system(electrical steering)**

No.	Art No.	Description	Qty.	Note	Standard
1	9000007777	Drive wheel	1	∅252	
2	9000008147	Spring guide	2		
3	2000208001	Spring guide bushing	2		
4	2000231002	Spring	2		
5	9000008148	Spring press cover	2		
6	2000223001	Bolt	2	M8×35	
7	9000008145	Welded fixing frame	1		
8	0000025032	Washer	4	12	GB/T95
9	0000023471	Screw	4	M12×35	GB/T70.1=ISO4762
10	0000025024	Washer	4	12	GB/T93-1987
11	9000008144	Adjusting stud	2		
12	9000008153	Roller	4		
13	0000026013	Circlip	4	25	GB/T894.1
14	9000009195	Welded wheel frame	1		
15	9000007422	Welded axle seat	1		
16	9000000240	Bearing 61810	2	65×50×7	GB/T276-61810
17	0000023042	Screw	3	M6×10	GB/T70.1=ISO4762
18	0000023034	Screw	4	M10×20	GB/T70.1=ISO4762
19	9000007423	Welded fixing frame	1		
20	0000026043	Circlip	1	50	GB/T894.1
21	9000007806	Damper	1		
22	9000007421	Linking block	1		
23	9000007693	Potentiometer fixed plate	1		
24	0000023032	Washer	4	5	GB/T95-2002
25	0000025022	Washer	4	5	GB/T93-1987
26	0000023311	Screw	4	M5×10	GB/T70.1=ISO4762
27	9000007424	Nylon block	1		
28	0000023073	Screw	4	M4×10	GB/T70.1=ISO4762
☐	9000008146	Spring components	2		

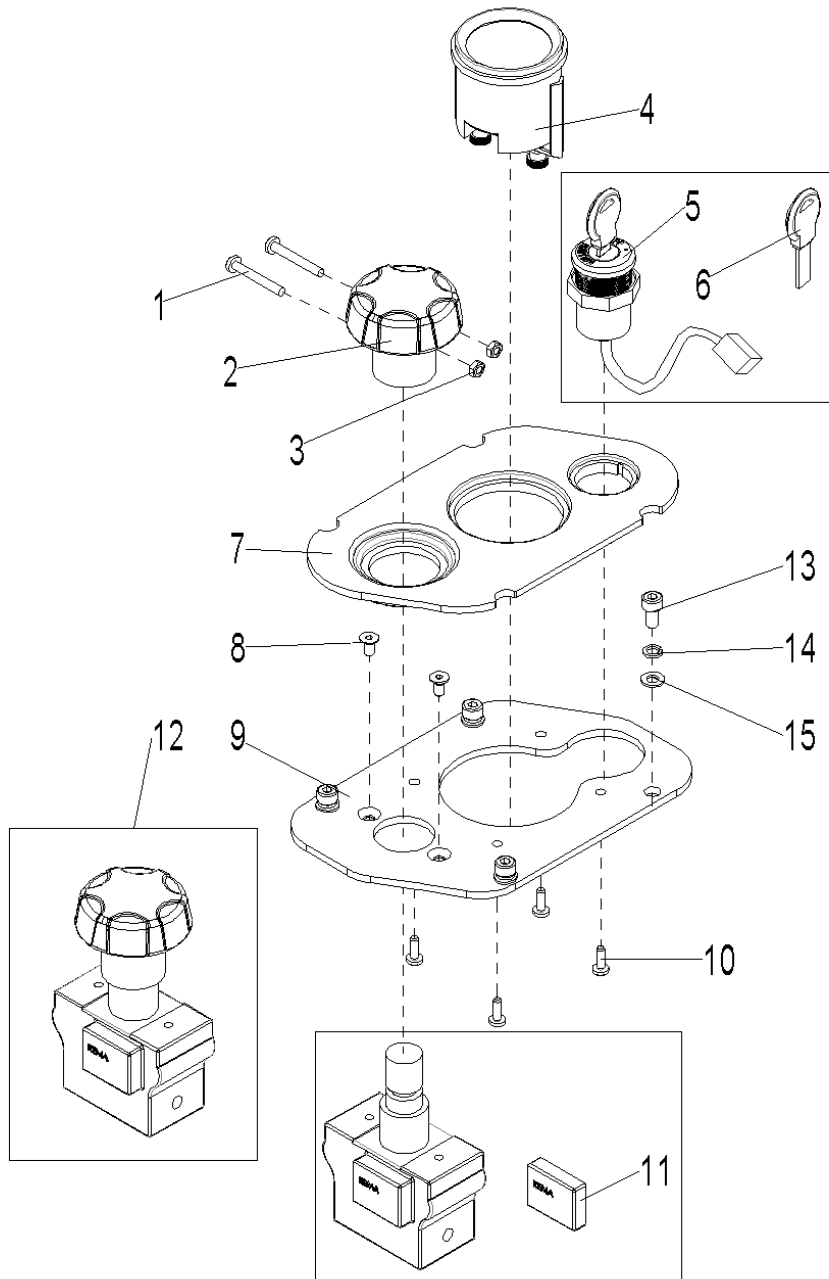
Fig. 25 Drive wheel(23EL)



**Fig.24 Drive wheel(23EL)**

No.	Art No.	Description	Qty.	Note	Standard
1	9000007773	Drive wheel	1		
2	9000009200	Pivoting support	1		
3	0000023034	Screw	4	M10×20	GB/T70.1=ISO4762
4	9000009201	Steering big gear	1		
5	0000023020	Screw	24	M6×20	GB/T70.1=ISO4762
6	9000009202	Pivoting support	1		
7	9000009203	Bearing seat	1		
8	0000023056	Screw	1	M4×12	GB/T70.1=ISO4762
9	0000025009	Washer	1	4	GB/T93
10	0000025133	Washer	1	5	GB/T96.1
11	9000009204	Gear for sensor	1		
12	9000009205	Steering sensor	1		
13	9000009195	Welded wheel frame	1		
14	0000023030	Screw	12	M6×25	GB/T70.1=ISO4762
15	0000027065	Bearing 6010	1		GB/T276=ISO3290
16	9000009206	End cap	1		
17	0000023277	Screw	4	M6×25	GB/T818=ISO7045
18	9000009207	Rubber sleeve	1		
19	9000009208	Steering motor	1	200W24 V	
20	9000009209	Steering motor gear box	1		
21	0000023090	Screw	4	M6×35	GB/T70.1=ISO4762
22	0090000118	Flat key	1	6×28	GB/T1096
23	0000025010	Washer	51	6	GB/T93
24	9000009210	Steering small gear	1		
25	0000026040	Circlip	1	22	GB/T894.1
26	0000024116	Nut	1	M12	GB/T6172.1
27	9000009211	Screw	1		Special-made

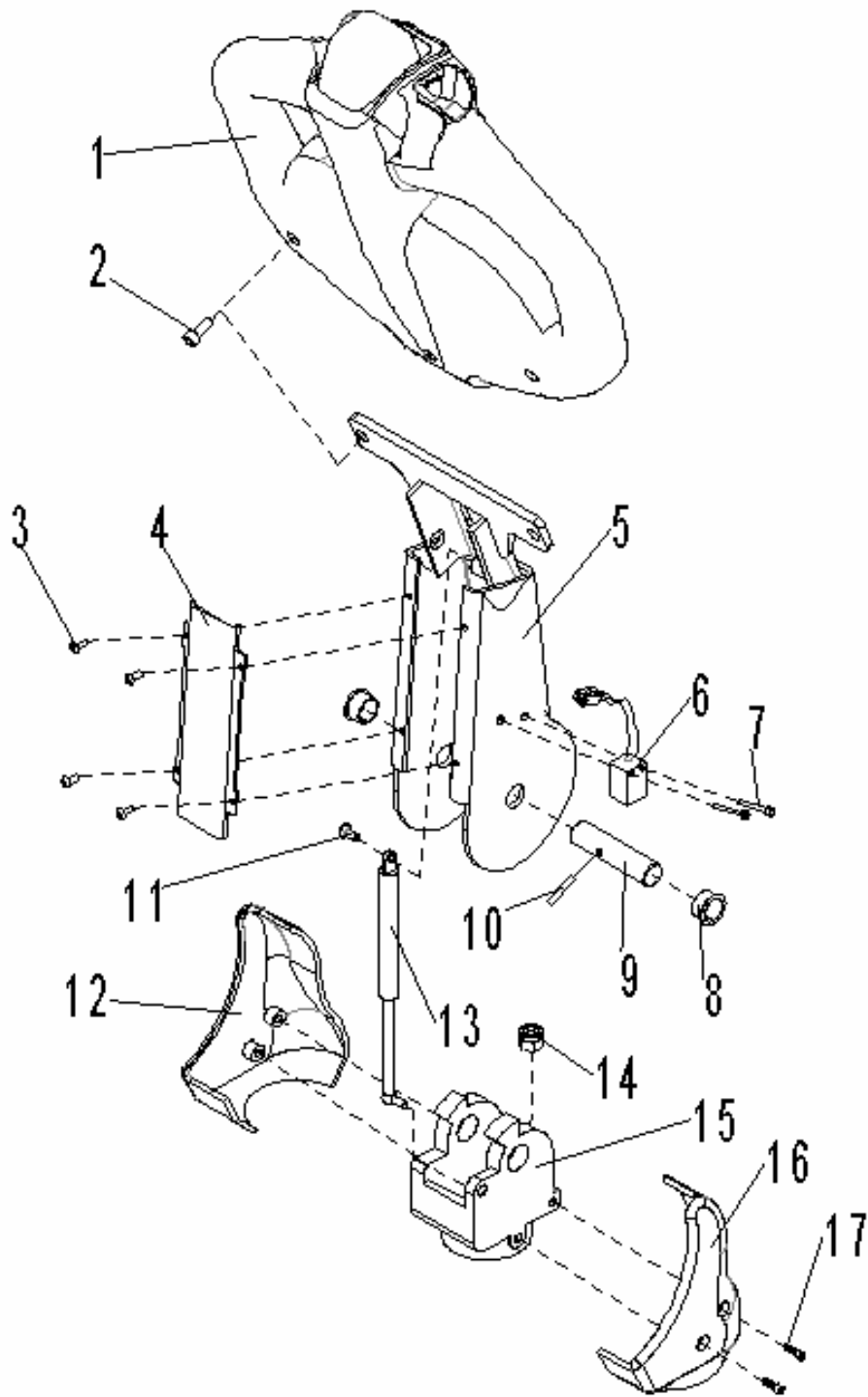
**Fig. 26 Instrument components**



**Fig.26 Instrument Components**

No.	Art No.	Description	Qty.	Note	Standard
1	0000023685	Screw	2	M3×25	GB/T818=ISO7045
2	9000008516	DC power switch ZDK32-350 emergency button	1		
3	0000024002	Nut	2	M3	GB/T6170=ISO4032
4	1000434025	Indicator	1	CURTIS 803	
5	9000008326	Key switch	1	LKS-101A	
6	9000008519	Key LKS-101A	1		
7	9000007938	Plastic plate	1		
8	0000023215	Screw	2	M5×10	GB/T70.3=ISO10642
9	9000007939	Instrument fixing plate	1		
10	0090000272	Screw	4	M4×12	GB/T6560
11	9000008517	Proximity switch	1		
12	9000008515	DC power switch	1	ZDK32-350	
13	0000023053	Screw	4	M6X12	GB/T70.1=ISO4762
14	0000025010	Washer	4	6	GB/T93
15	0000023055	Washer	4	6	GB/T95

Fig. 27 Tiller arm assembly

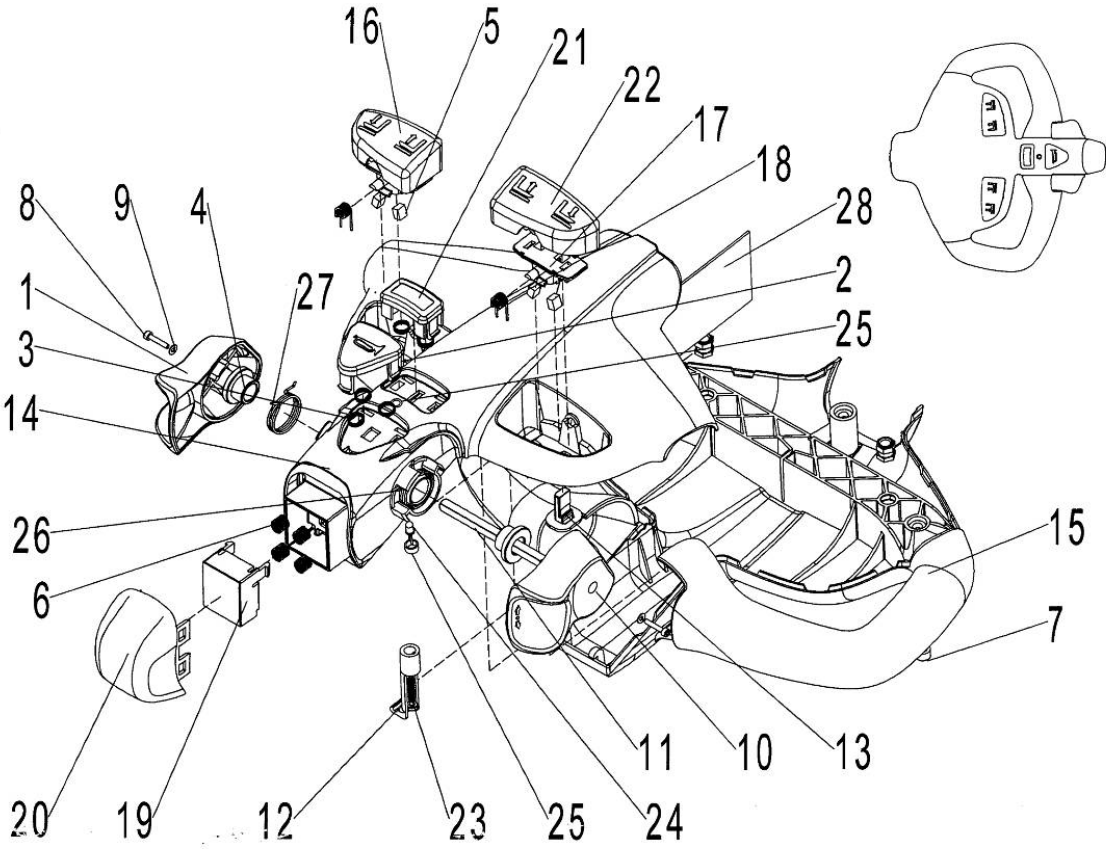




**Fig.27 Tiller arm assembly**

No.	Art No.	Description	Qty.	Note	Standard
1	1100100001	Control tiller	1	C94300-90 (REMA)	
2	0000023232	Bolt	2	M8×25	GB/T5783-2000
3	1000123003	Screw	4	M4×8	GB/T70.2=ISO7380
4	9000007926	Cover board	1	with platform	
	9000009961	Long cover board	1	without platform	
5	9000007925	Tiller arm	1	with platform	
	9000009962	Welded long tiller arm	1	without platform	
6	9000008327	Proximity switch	1	NBN5-F7-E2	
7	0000023075	Screw	2	M3×20	GB/T70.1=ISO4762
8	1000113001	Shoulder harness	2	∅17×∅19×11	
9	9000007928	Tiller axle	1		
10	0000028003	Dowel pin	1	∅4×24	GB/T879.1=ISO8752
11	0000023044	Screw	1	M8×20	
12	9000007930	Left tiller cover	1		
13	1010121001	Air spring	1	400N	
14	0000023005	Lock nut	2	M10	GB/T889.1=ISO7040
15	9000007929	Tiller seat	1		
16	9000007931	Right tiller cover	1		
17	0000023519	Screw	4	M6×10	GB/T70.2=ISO7380

**Fig. 28 Tiller head**



**Fig.28 Tiller head**

No.	Art No.	Description	Qty.	Note	Standard
1	1010114001	Left driving button	1		

2	1000114015	Horn button	1		
3	1000131009	Spring for horn button	5		
4	1000113004	Bushing for camshaft	2		
5	1000137001	Magnet	4		
6	1000131010	Spring for emergency button	4		
7	0000023058	Screw	3	M6×10	GB/T70.1=ISO4762
8	0000023057	Screw	2	M3×16	GB/T70.1=ISO4762-200
9	0000025017	Washer	2	3	GB/T95-200
10	1010114003	Right driving button	1		
11	1000107002	Shaft for driving button	1		
12	1000137002	Clip for PCB board	1		
13	1000134005	Pressure sensor	2		
14	1000103012	Upper part of handle	1		
15	1000103013	Under part of handle	1		
16	1000114017	Left elevator button	1		
17	1000137003	Magnet assembly seat	2		
18	1000131011	Torsional spring	2		
19	1000114018	Assembly seat for spring of emergency button	1		
20	1000114020	Emergency button	1		
21	1000114021	Cover for option switch	1		
22	1000114022	Right elevator button	1		
23	0000023060	Screw	1	ST4.2×25	GB/T845
24	1000134006	LED bi-color light	1		
25	1000103014	Seat for LED bi-color light	1		
26	1000131012	Torsional spring for left driving button	1		
27	1000131013	Torsional spring for right driving button	1		
28	1100135001	PCB	1		

### Easy worn parts list

No.	Art No.	Description	Qty.	Fig./Position	Note
1	9000007782	Spring card buckle	8	Fig.3/2	Appearance
2	9000007780	Air spring	1	Fig.4/5	Protective arm
3	9000007897	Positioning spring	1	Fig.4/9	
4	9000007799	Shoulder harness	4	Fig.5/3	Foldable platform
5	2000421001	Air spring	1	Fig.5/6	
6	9000008897	Suspension components	2	Fig.5/27	
7	0000027001	Bearing 6204	4	Fig.8/15	Steering wheel
8	2210416001	Castor	2	Fig.8/17	
9	9000008896	Wheel set	2	Fig.8/19	
10	2000416002	Load roller	4	Fig.9/4	Load wheel
11	0000027001	Bearing 6204	8	Fig.9/5	
12	9000008895	Load wheel set	4	Fig.9/7	
13	1000434040	Fuse 10A	1	Fig.11/3	Electronic control assembly(manual steering)
14	1020434001	Fuse 200A	1	Fig.11/14	
15	2210434004	Fuse 150A	1	Fig.11/15	
16	1020434001	Fuse 200A	1	Fig.12/14	Electronic control assembly(electrical steering)
17	2210434004	Fuse 150A	1	Fig.12/15	
18	1000434040	Fuse 10A	1	Fig.12/18	
19	3042434014	Fuse	1	Fig.12/19	
20	0000022029	O ring 50×3.1	2	Fig.20/3	Cylinder
21	9000009182	Support ring 46×50×15	2	Fig.20/5	
22	9000009178	Y ring for hole 40×50×6/7	2	Fig.20/6	
23	9000009169	Dust ring 40×48×5/6.5	2	Fig.20/7	
24	9000009952	Seal assembly	2	Fig. 20/1	
25	9000003582	Carbon brush(assembly)	1	Fig.21/2	Pump Station
26	0000022002	O seal ring	1	Fig.23/18	Drive wheel
27	1000113001	Shoulder harness	2	Fig.27/8	Tiller arm assembly
28	1010121001	Air spring	1	Fig.27/13	