

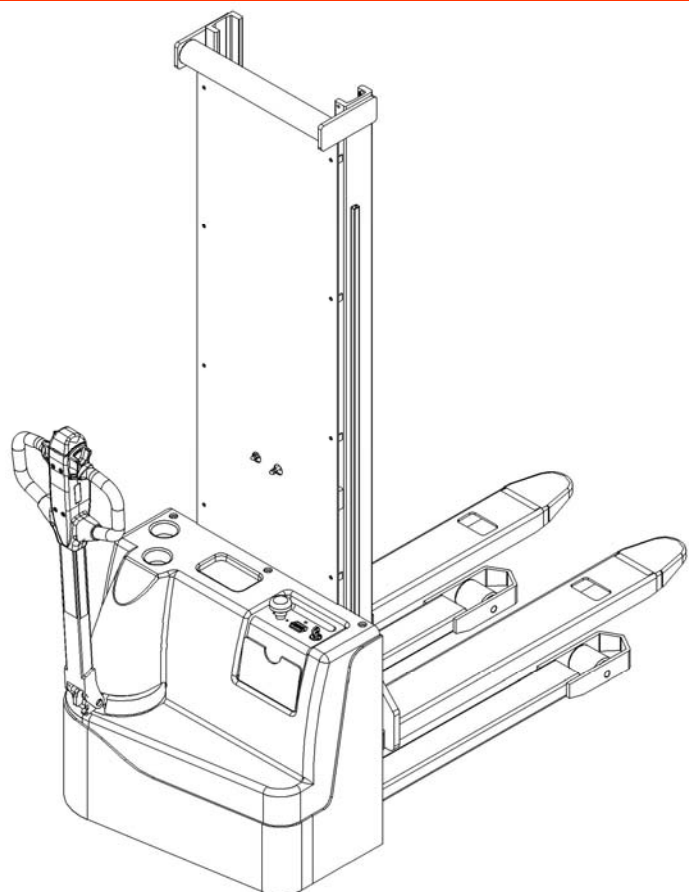


Electric Stacker ECL10

Electric Stacker ECL 10M

Spare parts list

Electric Stacker ECL10



Version 02/2015

ECL10-BPT-006_EN

起始车辆识别号: 30150200167

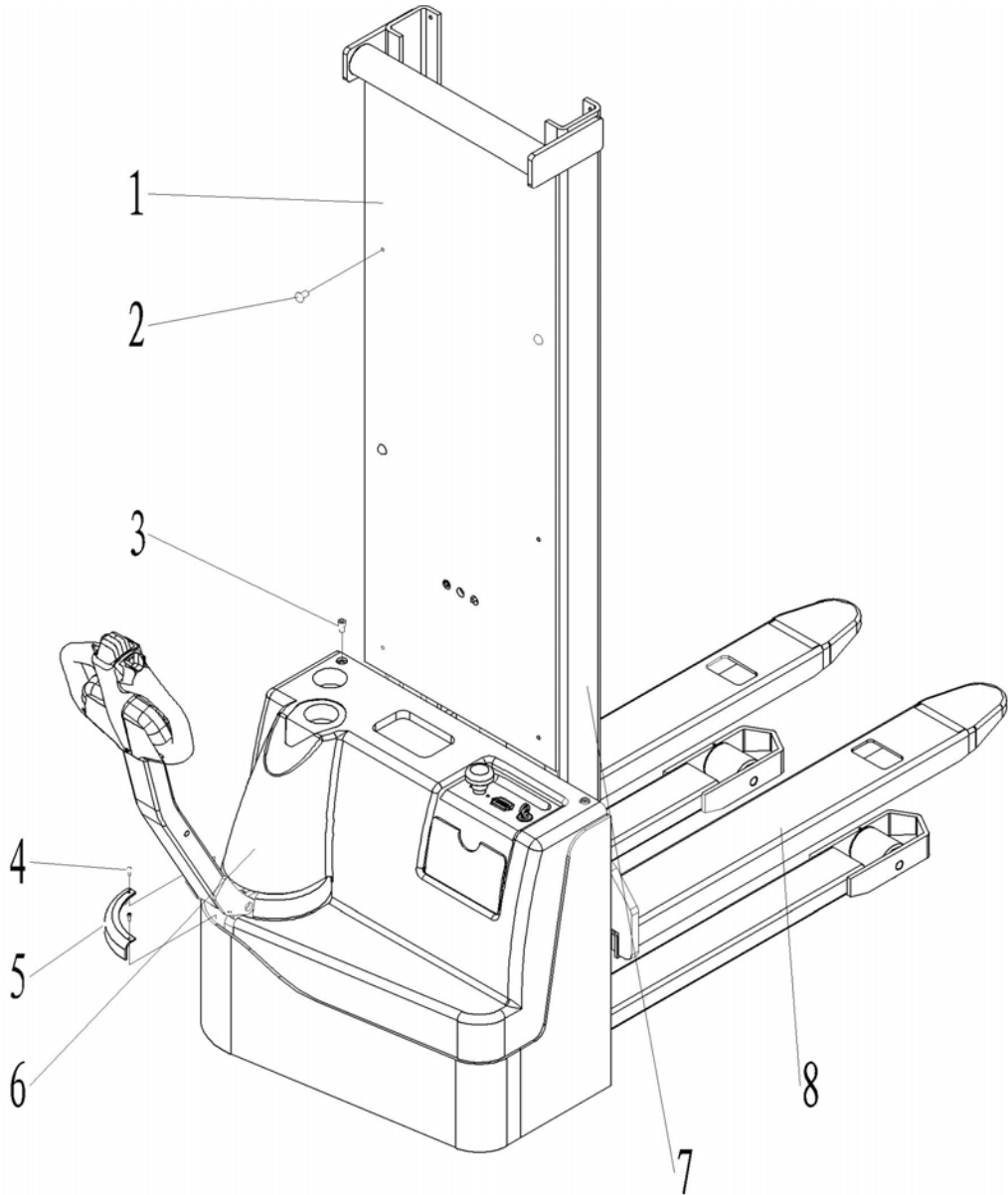
起始日期: 2015 年 2 月

更改文件号: Y2015-013

Contents

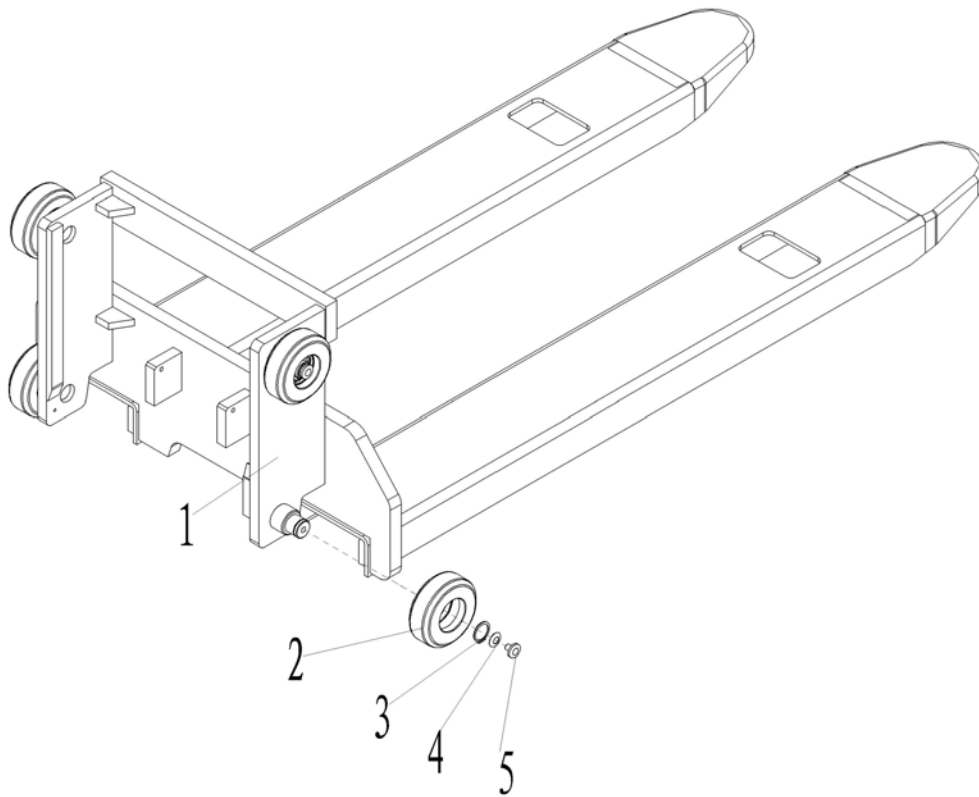
FIG. 1	MAIN COMPONENTS	3
FIG. 2	FORK	5
FIG. 3	SIDEWAYS CASTOR.....	6
FIG. 4	LOAD WHEEL	7
FIG. 5	MAST ASSEMBLY	8
FIG. 6	ELECTRONIC CONTROL BOARD ASSEMBLY	10
FIG. 7	MAIN HARNESS.....	12
FIG.8	ELECTRIC PARTS AND COMPONENTS	13
FIG.9	HYDRAULIC SYSTEM.....	16
FIG. 10	CYLINDER ASSEMBLY	20
FIG. 11	PUMP SYSTEM	21
FIG.12	DRIVING SYSTEM.....	22
FIG.13	INSTRUMENTS BOARD ASSEMBLY	24
FIG.14	TILLER ARM ASSEMBLY	25
FIG.15	ECONOMIC TILLER HEAD	27
FIG.16	DRIVING WHEEL ASSEMBLY	29
FIG.17	STICKER FOR EU	31
FIG.18	STICKER FOR US	32

Fig. 1 Main components



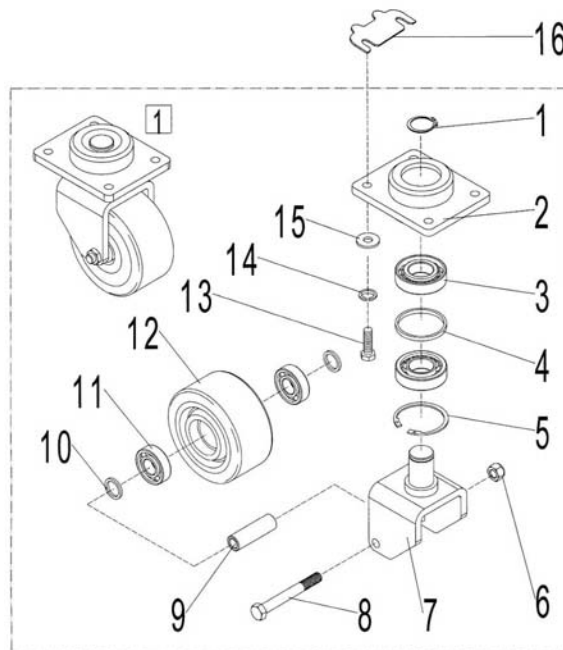
No.	Parts No.	Name	Qty.	Remarks
1	9000002061	Protective plate	1	Single mast 2000
	9000002097			Single mast 1600
	9000002119			Double mast 2900
	9000009969			Double mast 3200
	9000009980			Double mast 3500
2	0000023555	Screw	8	
3	1000423003	Screw	2	
4	0000023076	Screw	2	
5	9000002060	Open plate	1	
6	9000002059	Tank cover	1	
7	9000002023	Welded chassis (incl. outside mast))	1	Single mast 570X2000
	9000002092			Single mast 570X1600
	9000005952			Single mast 685X2000
	9000005959			Single mast 685X1600
	9000002108			Double mast 570X2900
	9000005964			Double mast 685X2900
	9000009966			Double mast 570X3200
	9000009988			Double mast 685X3200
	9000009977			Double mast 570X3500
	9000009990			Double mast 685X3500
8	9000002009	Fork assembly	1	Single mast 570
	9000005948			Single mast 685
	9000002101			Double mast 570
	9000005961		Double mast 685	

Fig. 2 Fork



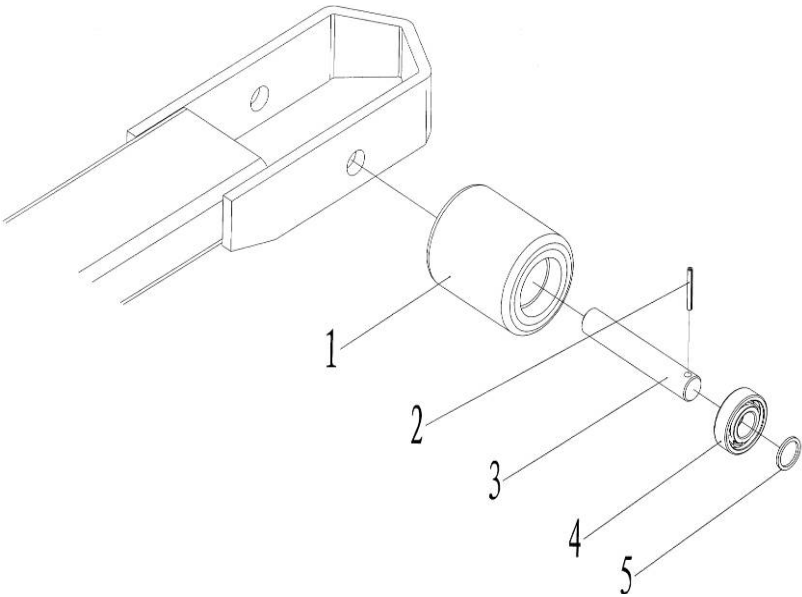
No.	Parts No.	Name	Qty.	Remarks
1	9000002010	Welded fork	1	Single mast 570
	9000005949		1	Single mast 685
	9000002102		1	Double mast 570
	9000005962		1	Double mast 685
2	2530402002	Bearing	4	
3	0000026013	Circlip for shaft – A type	4	
4	2500525001	Washer	2	
5	2500502003	Side cushion	4	

Fig. 3 Sideways castor



No.	Parts No.	Name	Qty.	Remarks
1	0000026008	Circlip for shaft	1	
2	2000405001	Bearing seat	1	
3	0000027013	Angular contact bearing	2	
4	2000413001	Sleeve	1	
5	0000026010	Circlip	1	
6	0000024015	Self- locking nut	1	
7	2000401007	Wheel frame	1	
8	0000023111	Bolt	1	
9	2000413002	Shaft sleeve	1	
10	1000525001	Washer	2	
11	0000027001	Bearing	2	
12	2020416001	Wheel	1	
13	0000023029	Screw	4	
14	0000023006	Spring washer	4	
15	0000025002	Flat washer	4	
16	9000005936	Adjust plate	4	
①	2040400001	Steering wheel assembly	1	

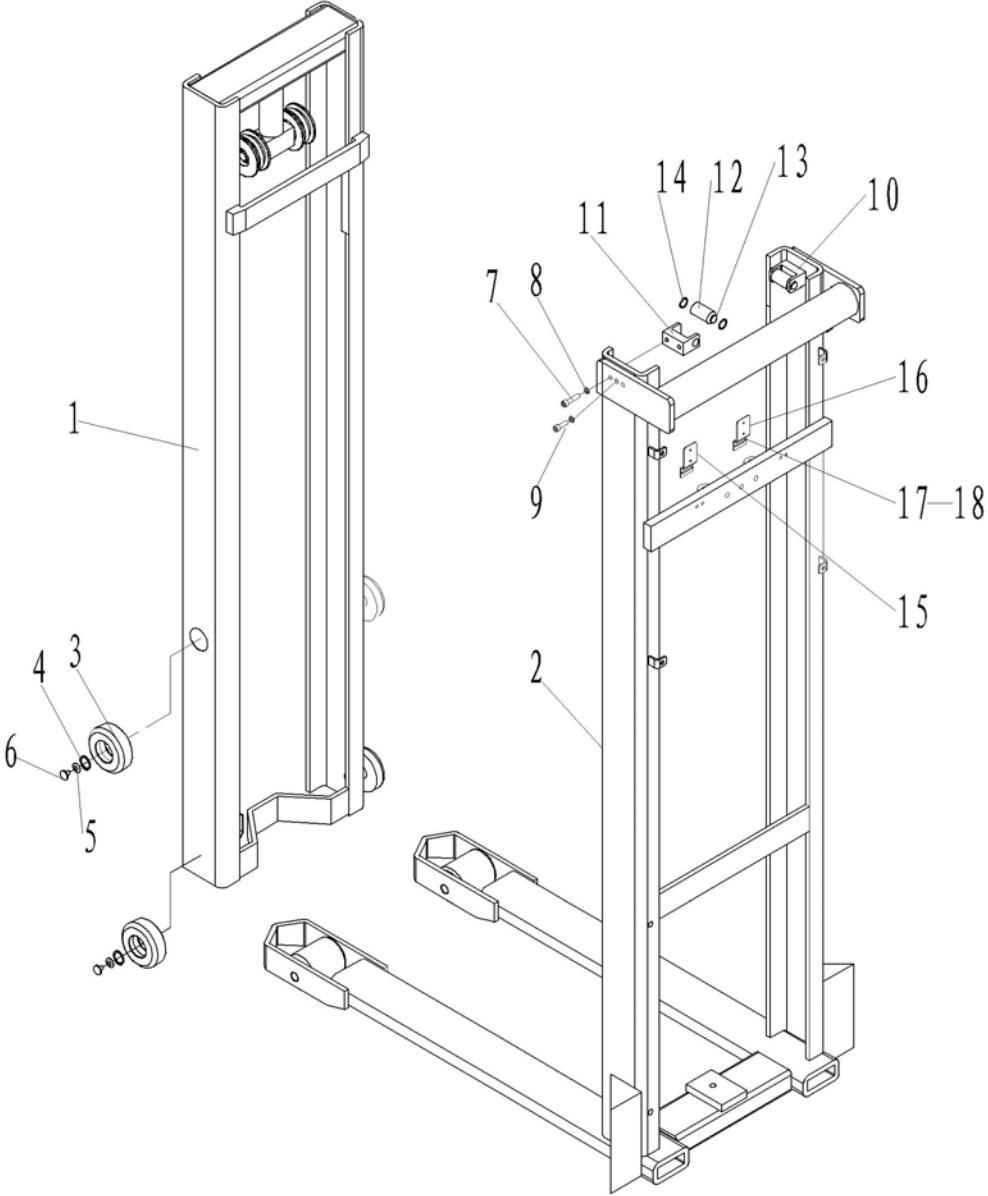
Fig. 4 Load wheel



No.	Parts No.	Name	Qty.	Remarks
1	2000416003	Load wheel	1	
2	0000028055	Dowel pin heavy	2	
3	1030507004	Axle	1	
4	0000027001	Bearing	2	
5	1000525001	Washer	2	

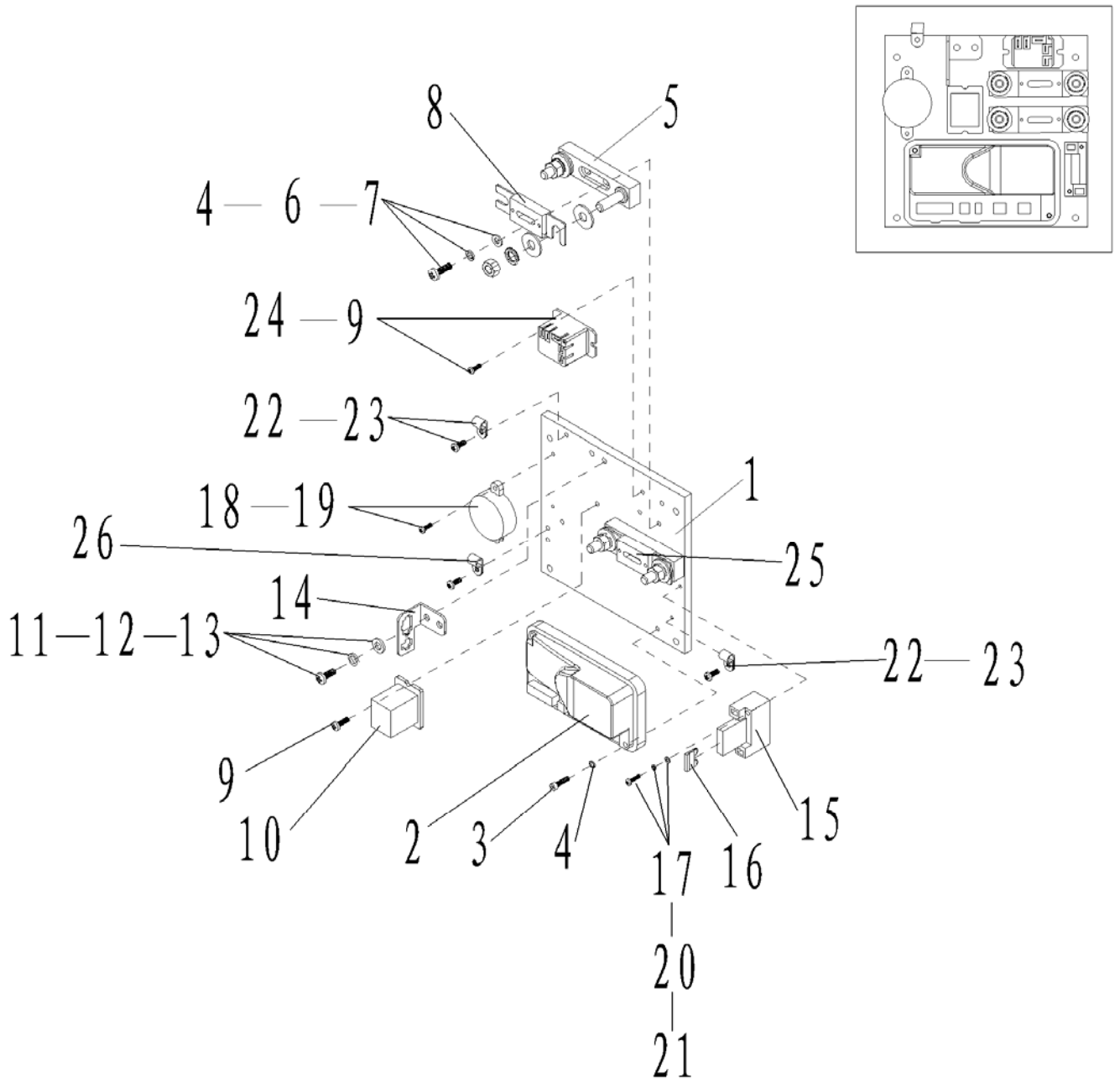
Fig. 5 Mast Assembly

5.1 Double Mast



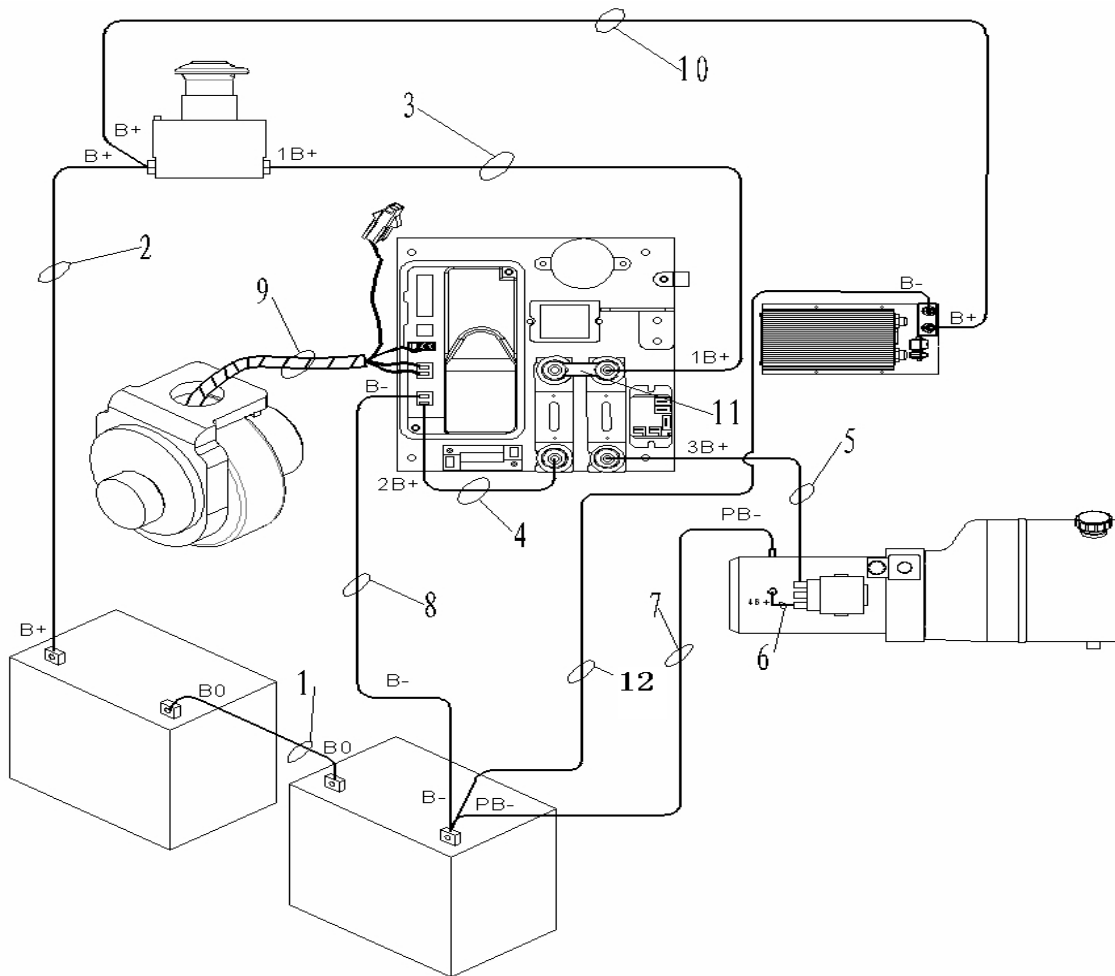
No.	Parts No.	Name	Qty.	Remarks
1	9000002124	Inner mast welding	1	2900
	9000009973			3200
	9000009984			3500
2	9000002108	Welded chassis	1	570X2900 Whole chassis, also see fig. 1
	9000005964			685X2900
	9000009966			570X3200
	9000009988			685X3200
	9000009977			570X3500
	9000009990			685X3500
3	2530402002	Bearing	4	
4	0000026013	Circlip for shaft-A type	4	
5	2500525001	Helical washer	2	Quality depends on situation
6	2500502003	Side cushion	4	
7	0000023172	Screw	4	
8	0000025001	Standard spring washer	4	
9	0000023047	Screw	2	
10	2530500002	Guide wheel	2	Assembly
11	2530504007	Wheel seat	2	
12	2500511002	Guide wheel	2	
13	2500507003	Hinge pin	2	
14	0000026034	Circlip for shaft-A type	4	
15	9000002120	Micro switch fixed plate	1	
16	9000005946	Approach switch fixed plate	1	
17	0000023555	Screw	4	
18	0000023055	Flat washer	4	

Fig. 6 Electronic control board assembly



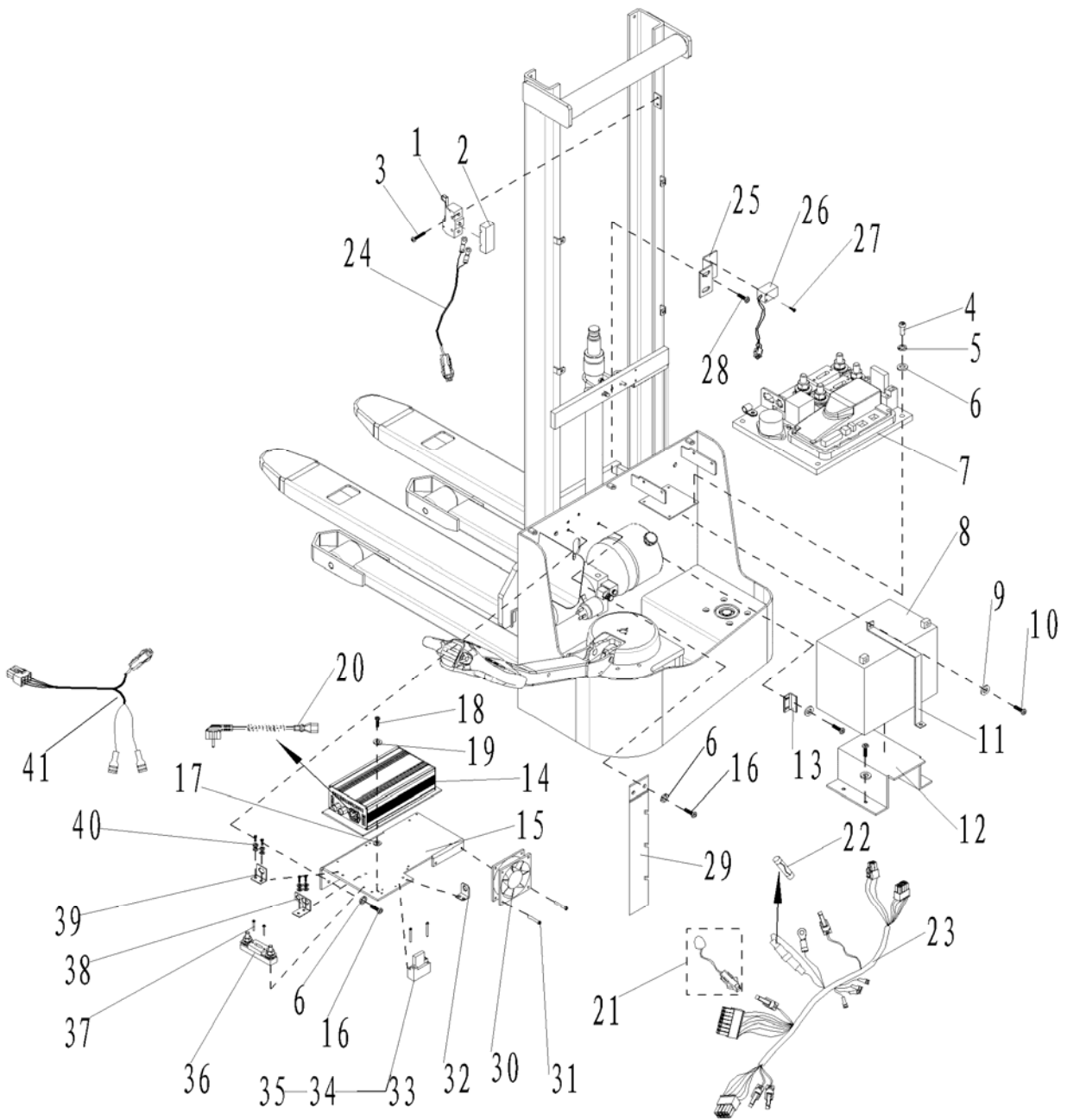
No.	Parts No.	Name	Qty.	Remarks
1	9000002066	Aluminum plate	1	
2	9000009802	Controller CURTIS1212P-2501	1	
3	0000023033	Screw	2	
4	0000025018	Spring washer	8	
5	1000434007	Fuse holder SYY	2	
6	0000025019	Flat washer	6	
7	0000023211	Screw	2	
8	2210434004	Bolted fuse	1	
9	0000023071	Screw	2	
10	9000005985	Temperature protection module BD-W-115-N	1	
11	0000023516	Screw	2	
12	0000025014	Flat washer	2	
13	0000025015	Spring washer	2	
14	1000404005	Connector	1	
15	1000434021	One position vehicle fuse holder BD	1	
16	1000434040	Plug fuse	1	
17	0000023074	Screw	2	
18	9000007394	Electric buzzer	1	
19	0000023648	Screw	2	
20	0000025003	Spring washer	2	
21	0000025026	Flat washer C	2	
22	1000403004	Strain relief UC-2	2	
23	0000023307	Screw	4	
24	9000002322	Relay ARP12F-1C	1	
25	1000434020	Bolted fuse	1	
26	9000002325	Strain relief UC-5	2	

Fig. 7 Main Harness



No.	Parts No.	Name	Qty.	Remarks
1	9000002409	B0 wire	1	
2	9000002410	B+ wire	1	
3	9000002411	1B+ wire	1	
4	9000002412	2B+ wire	1	
5	9000002413	3B+ wire	1	
6	9000002414	4B+ wire	1	
7	9000002415	PB- wire	1	
8	9000002416	B- wire	1	
9	9000002417	Driving wheel harness	1	
10	9000002418	Charger anode B+ wire	1	
11	1020434003	Copper bar 1	1	
12	9000008788	Charger anode B- wire	1	New add

Fig.8 Electric parts and components

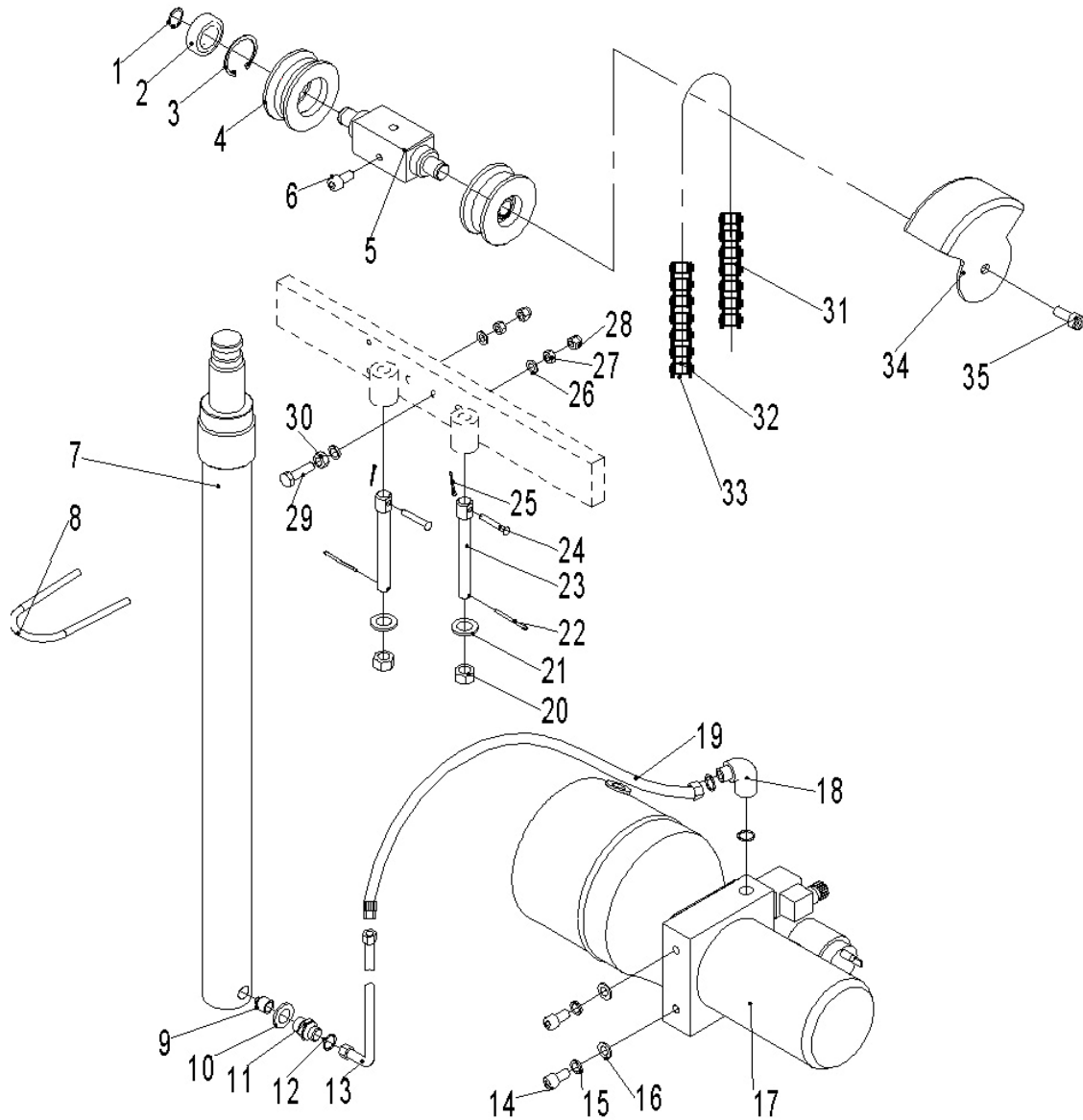


No.	Parts No.	Name	Qty.	Remarks
1	2040634001	Micro switch	2	
2	2040603002	Micro switch protective cover	2	
3	0000023033	Screw	4	
4	0000023107	Screw	6	
5	0000025015	Spring washer	18	Add 6 piece
6	0000025014	Flat washer	12	Add 6 piece
7	9000002065	Electronic control assembly	1	
8	1000432001	Battery 12V/85Ah	2	Optional
	2100432001	Battery 12V/106Ah	2	
9	0000025011	Flat washer	8	
10	0000023012	Screw	8	
11	9000002062	Accumulator holder	1	
12	9000002063	Accumulator fixed seat	1	With106Ah battery
13	9000002064	Accumulator fixed angle iron	2	
14	9000002068	Charger 24V/10A NCN24101P22	1	Input voltage: 220AC
	9000008638	Charger 24V/10A QQE240-11CH59	1	Input voltage: 100-240AC
15	9000008678	Accumulator holder	1	Change
16	0000023076	Screw	6	
17	1000418002	Valve washer	1	
18	0000023056	Screw	4	
19	0000025019	Flat washer	4	
20	1010434009	Double end spring wire plug 3*0.75(Australian)	1	Optional
	1010434011	Double end spring wire plug 3*0.75(English)	1	
	1010434012	Double end spring wire plug 3*0.75(European)	1	
	1010434013	Double end spring wire plug 3*0.75(Italian)	1	
	1010434014	Double end spring wire plug 3*0.75(Sweden)	1	
	2530334005	Double end spring wire plug 3*0.75(American)	1	
	1010434023	Double end spring wire plug 3*0.75(Asian)	1	
21	9000002192	LED Fault display assembly	1	
22	9000002324	Fuse tube 5	1	
23	9000002407	Control harness	1	
24	9000002408	Micro switch harness	1	

25	9000002079	Approach switch fixed plate	1	
26	9000007427	Approach switch NBN5-FT-E2	1	single Mast
	9000007428	Approach switch NBN5-FT-E2	1	double Mast
27	0000023075	Screw	2	
28	0000023042	Screw	2	
29	9000005937	Cable holder	1	
30	1010434007	air fan ADDA DC12V	1	
31	0000023041	Screw	2	
32	1010404005	Connector	1	
33	1000434021	One position vehicle fuse holder BD	1	
34	1010434008	Plug fuse	1	
35	0000023074	Screw	2	
36	1000434007	Fuse holder SYY	1	
37	0000023211	Screw	2	
38	1000404005	Connector	1	
39	1010404006	Connector	1	
40	0000023516	Screw	6	
41	9000008787	air fan wire	1	

Fig.9 Hydraulic System

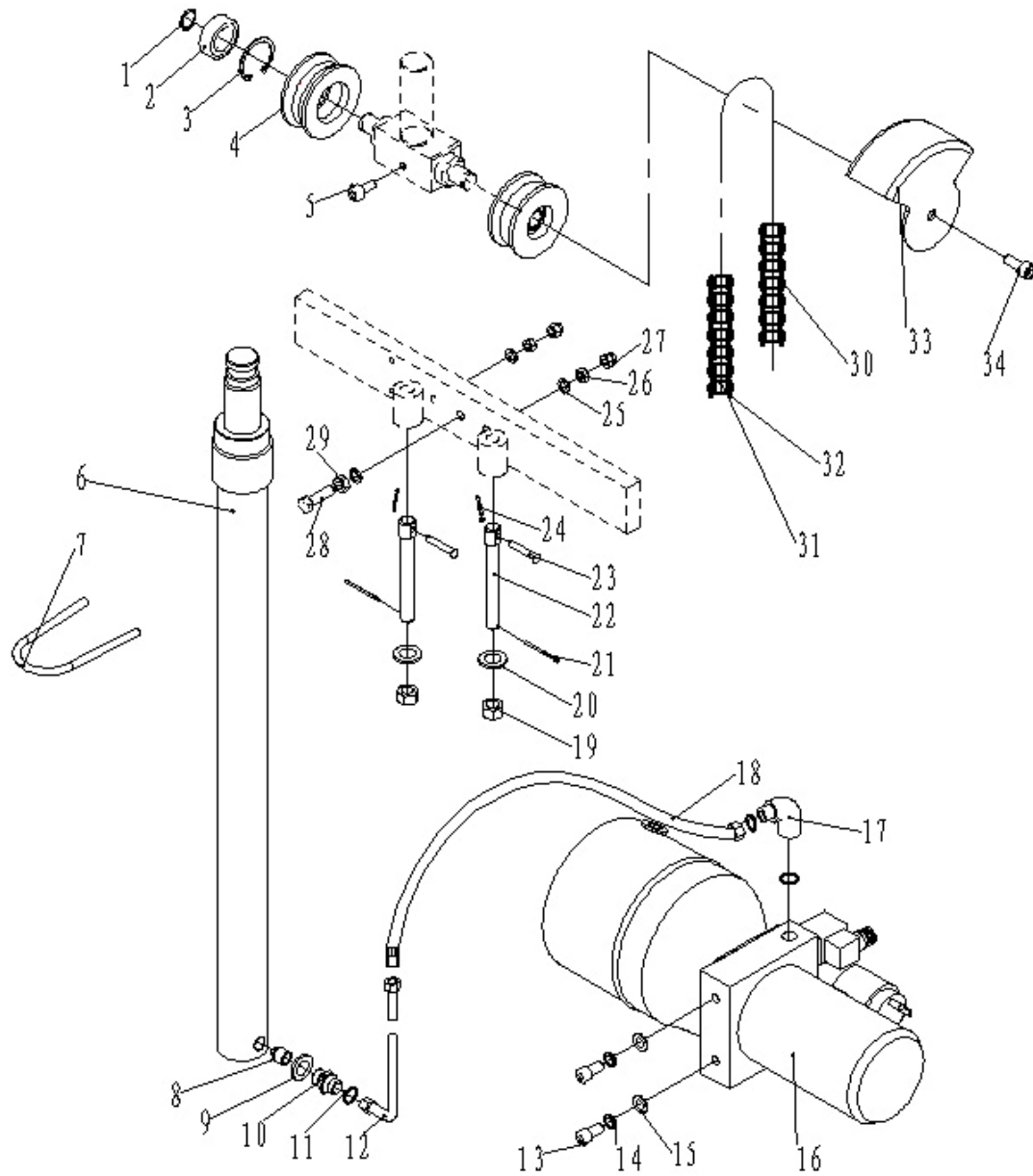
9.1 Single mast hydraulic system



No.	Parts No.	Name	Qty.	Remarks
1	0000026003	Circlip for shaft	2	
2	0000027001	Bearing	2	
3	0000026009	Circlip for hole	2	
4	2510510001	Chain wheel	2	
5	2500502005	Cylinder joint	1	
6	0000023067	Screw	1	
7	9000002081	Cylinder assembly	1	ECL1020

	9000002099	Cylinder assembly	1	ECL1016
8	2530202002	Cylinder bracket	1	
9	2000337001	Safety pressure valve assembly	1	
10	0000022051	Seal washer assembly	1	
11	2000317002	Straight joint	1	
12	0000022011	O type rubber seal ring	3	
13	9000002082	High pressure steel tube	1	
14	0000023099	Screw	2	
15	0000023006	Spring washer	3	
16	0000025106	Flat washer	2	
17	2130300002	Hydraulic power pack 24V2.2KW2.0 volume	1	
18	0000017002	O type ring plane seal joint J	1	
19	9000002083	High pressure rubber tube	1	
20	0000024087	I type nut	4	
21	0000025079	Flat washer	2	
22	0000028011	Cotter pin	2	
23	2500502007	End chainman	2	
24	0000028110	Headless hinge pin	2	
25	0000028092	Cotter pin	2	
26	0000025011	Flat washer	2	
27	0000024086	I type nut	2	
28	0000024092	Cap nut	2	
29	0000024013	I type nut	2	
30	0000023503	Bolt full thread	1	
31	0000029301	Roller chain	2	ECL1020
	0090000432	Roller chain	2	ECL1016
32	0000028030	Hinge pin	2	
33	0000028010	Cotter pin	2	
34	2530504001	chain wheel	2	
35	0000023044	Screw	2	

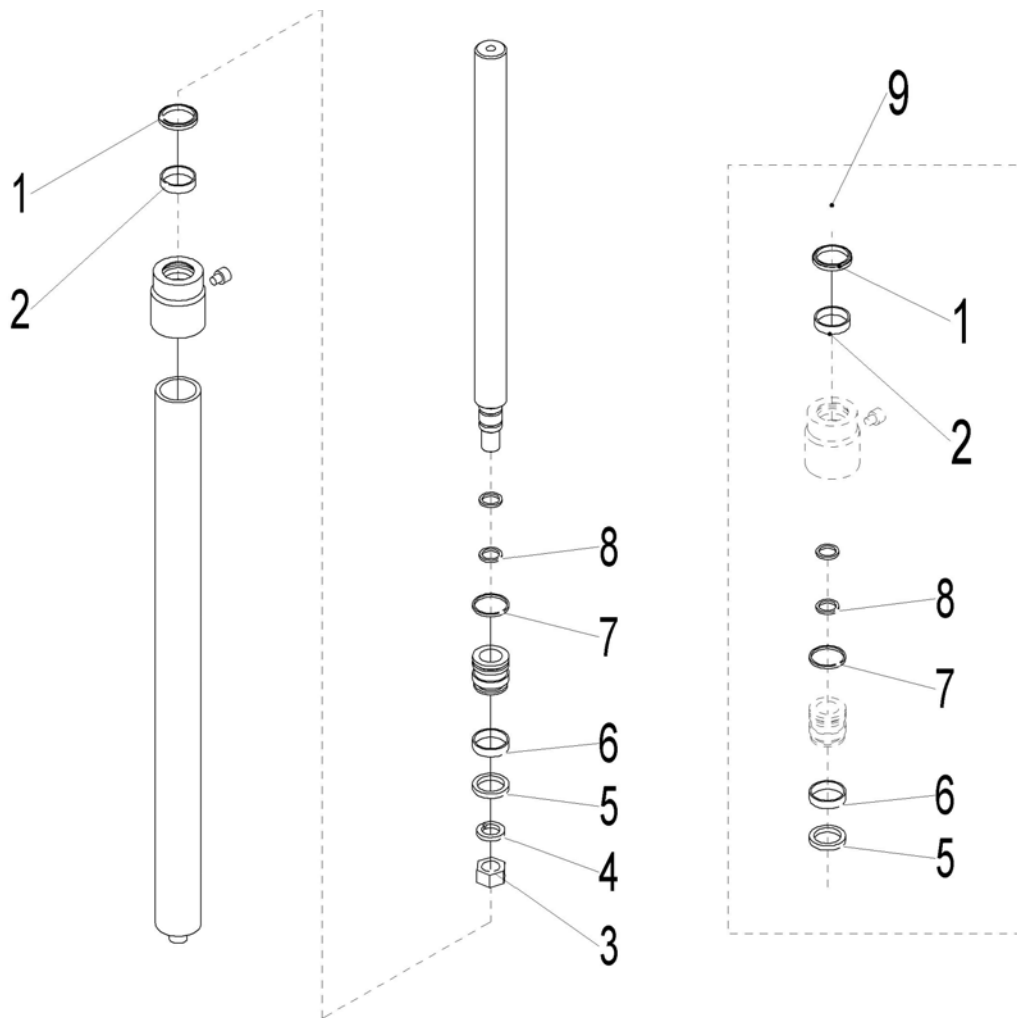
9.2 Double mast hydraulic system



No.	Parts No.	Name	Qty.	Remarks
1	0000026003	Circlip for shaft	2	
2	0000027001	Bearing	2	
3	0000026009	Circlip for hole	2	
4	2510510001	Chain wheel	2	
5	0000023067	Screw	1	
6	9000002122	Cylinder assembly	1	ECL1029
	9000009971			ECL1032
	9000009982			ECL1035

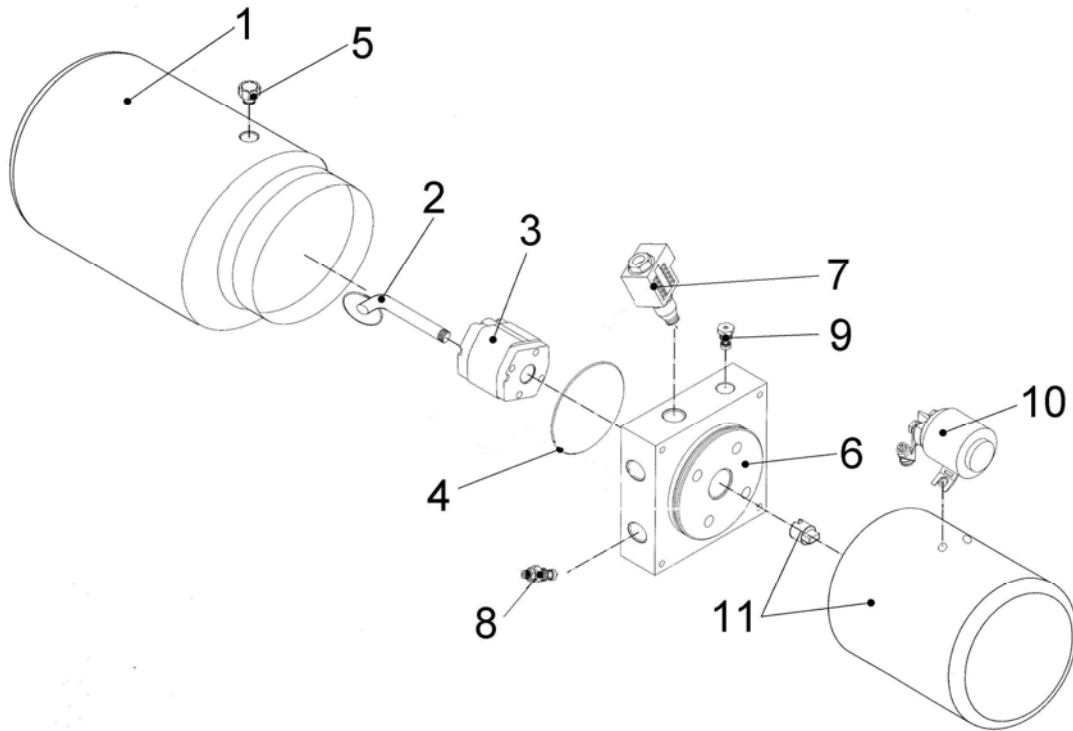
7	2530202002	Cylinder bracket	1	
8	2000337001	Safety anti-explosion valve assembly	1	
9	0000022051	Seal washer assembly	1	
10	2000317002	Straight joint	1	
11	0000022011	O type rubber seal ring	3	
12	9000002082	High pressure steel tube	1	
13	0000023099	Screw	2	
14	0000023006	Spring washer	3	
15	0000025106	Flat washer	2	
16	2130300002	Pump station 24V2.2KW2.0 volume	1	
17	0000017002	Joint JTJ8-G3/8-M16x1.5	1	
18	9000002082	High pressure rubber tube	1	
19	0000024087	I type nut	2	
20	0000025079	Flat washer	2	
21	0000028011	Cotter pin	2	
22	2500502007	End chainman	2	
23	0000028110	Headless hinge pin	2	
24	0000028092	Cotter pin	2	
25	0000025011	Flat C level	2	
26	0000024086	I type nut	2	
27	0000024092	Cap nut	2	
28	0000024013	I type nut	2	
29	0000023503	Bolt full thread	1	
30	0000029268	Roller chain	2	ECL1029
	0090000550			ECL1032
	0090000551			ECL1035
31	0000028030	Hinge pin	2	
32	0000028010	Cotter pin	2	
33	2530504001	chain wheel	2	
34	0000023044	Screw	2	

Fig. 10 Cylinder assembly



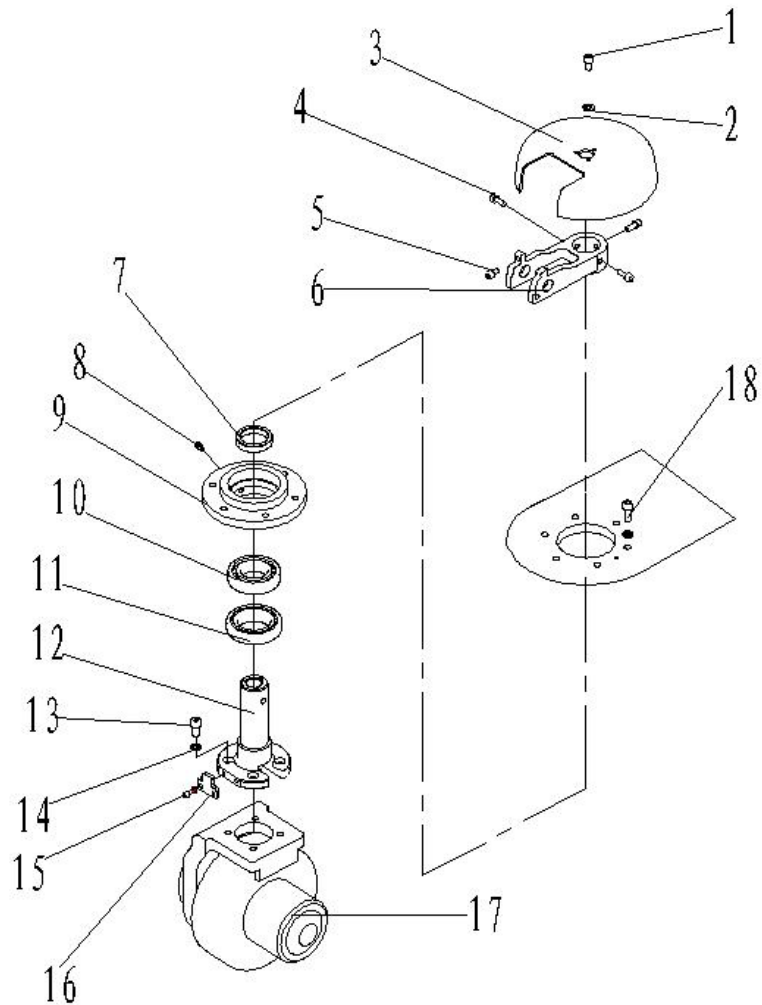
No.	Parts No.	Name	Qty.	Remarks
1	2000322001	Dust ring	1	
2	2000322002	Support ring for shaft	1	
3	0000024074	I type nut Fin thread	1	
4	0000025033	Spring washer	1	
5	2010322001	Y type sealing ring	1	
6	2000322003	Support ring for hole	1	
7	0000022013	O ring	1	
8	0000022014	O ring	2	
9				Sealing parts pack

Fig. 11 Pump system



No.	Parts No.	Name	Qty.	Remarks
1	2130301001	Oil tank	1	
2	2500217001	Oil suction pipe	1	
3	2500237001	Gear pump	1	
4	2500222001	O ring	1	
5	2500237005	Refill cover	1	
6	2500215002	Center valve block	1	
7	2110234001	solenoid valve	1	
8	2500235002	Overflow valve	1	
9	2500235003	Check valve	1	
10	2110234003	Contactora	1	
11	2110234002	Motor	1	

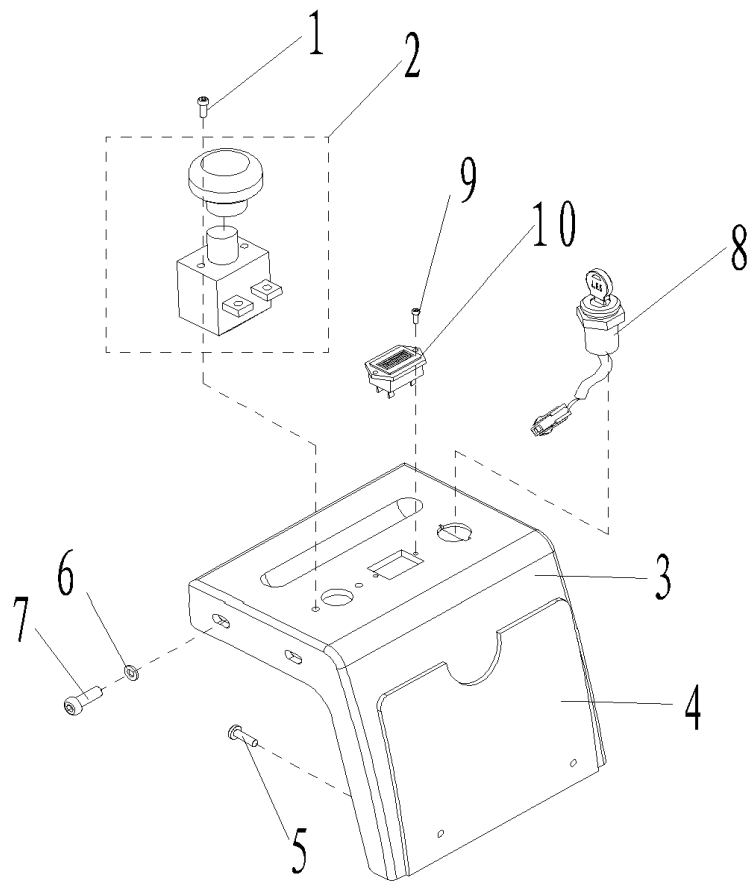
Fig.12 Driving system



No.	Parts No.	Name	Qty.	Remarks
1	0000023059	Screw	3	
2	0000025019	Flat washer	3	
3	9000002090	Driving wheel cover	1	
4	0000023044	Screw	3	
5	0000023089	Screw	1	
6	9000002089	Handle seat	1	
7	9000002087	Locating sleeve	1	
8	0000023042	Screw	4	
9	9000002086	Bearing seat	1	
10	0000027048	Bearing	1	

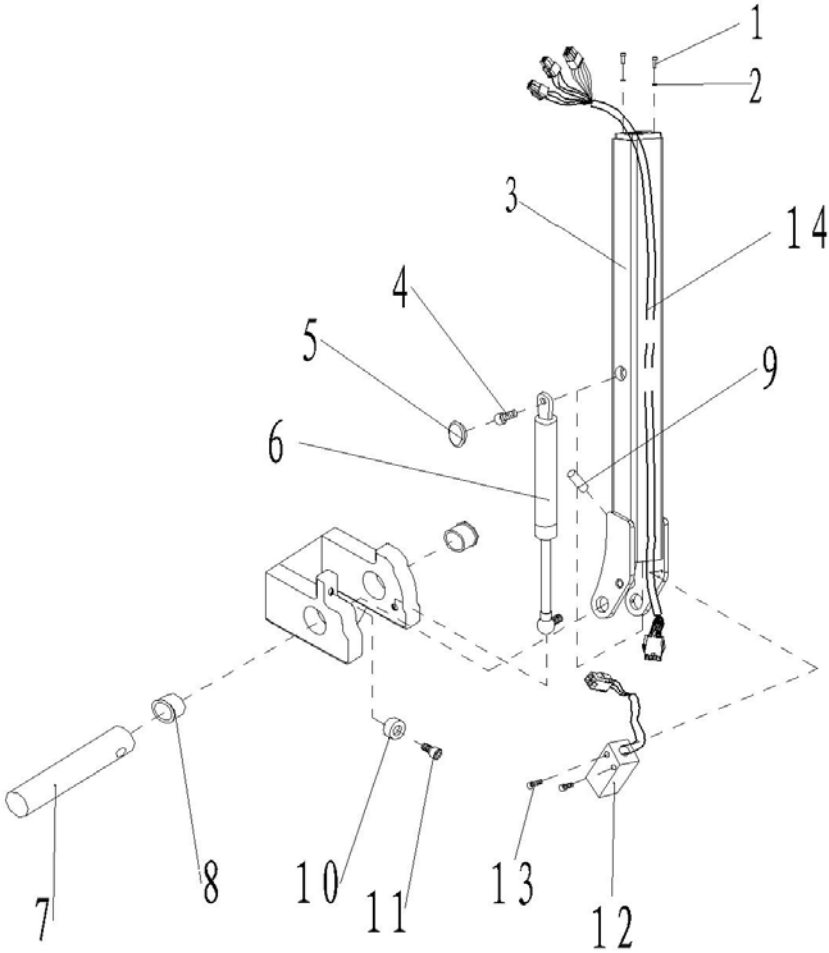
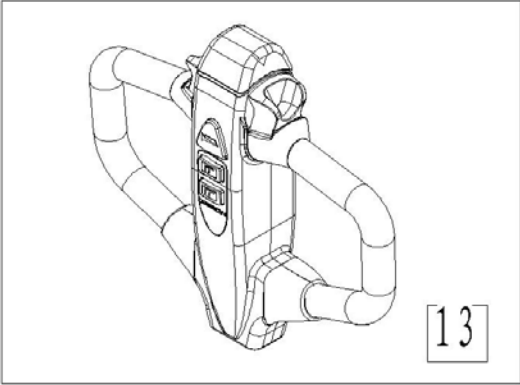
11	0090000038	Roller bearing	1	
12	9000002085	Connecting flange	1	
13	0000023034	Screw	4	
14	0000023006	Spring washer	10	
15	0000025010	Spring washer	4	
16	9000002088	Locating block	1	
17	9000001023	Driving wheel	1	
18	0000023088	Screw	6	

Fig.13 Instruments board assembly



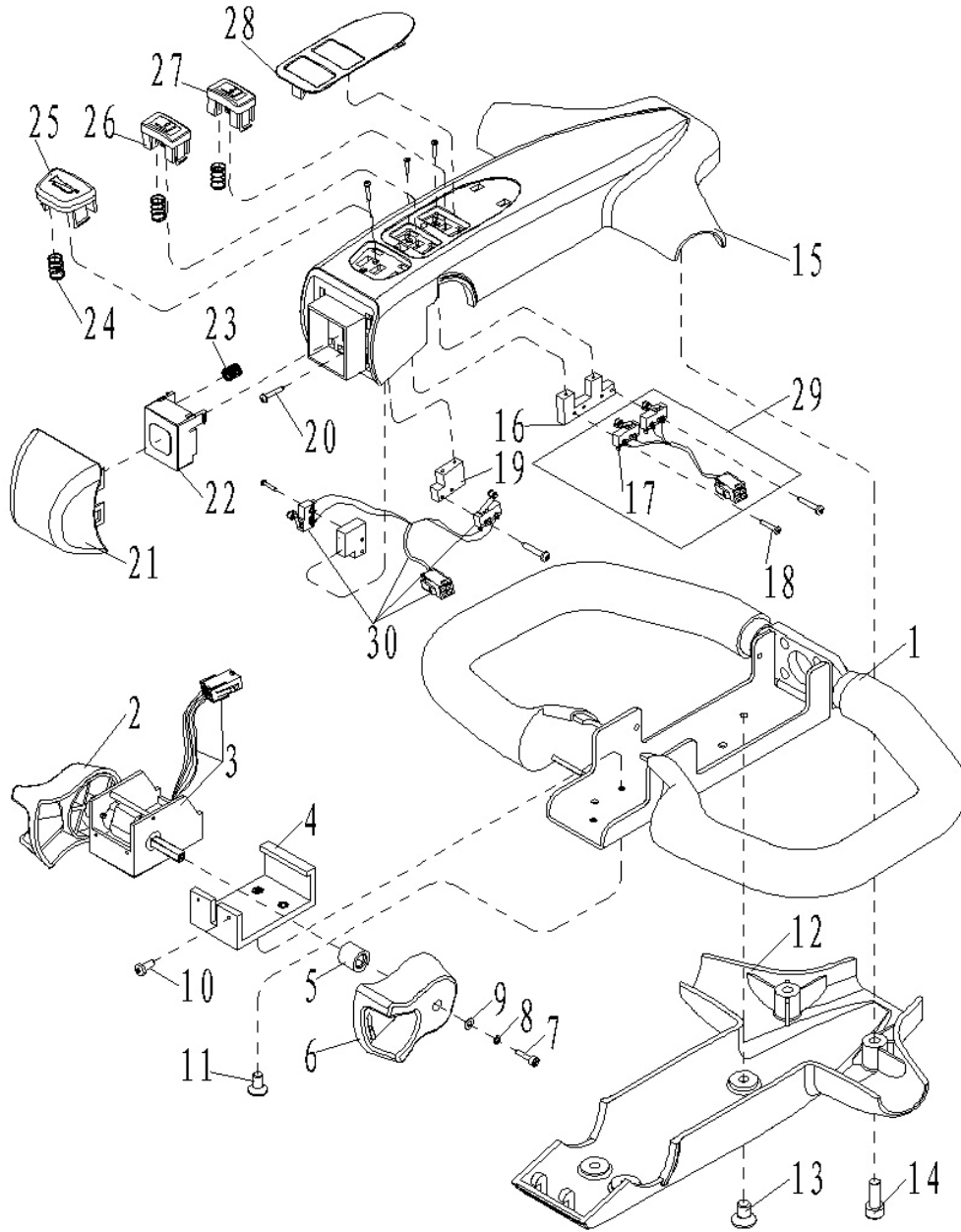
No.	Parts No.	Name	Qty.	Remarks
1	0090000041	Screw	2	
2	2240434001	DC power switch ZDK31-250	1	
3	9000002070	Instruments cover	1	
4	9000002071	Clipboard	1	
5	0000024002	I type nut	4	
	0000023075	Screw	4	
6	0000025011	Flat washer C level	4	
7	0000023089	Screw	4	
8	1010434002	General key switch LKS-101A	1	
9	1000123003	Screw	2	
10	9000009801	Discharge indicator	1	

Fig.14 Tiller arm assembly



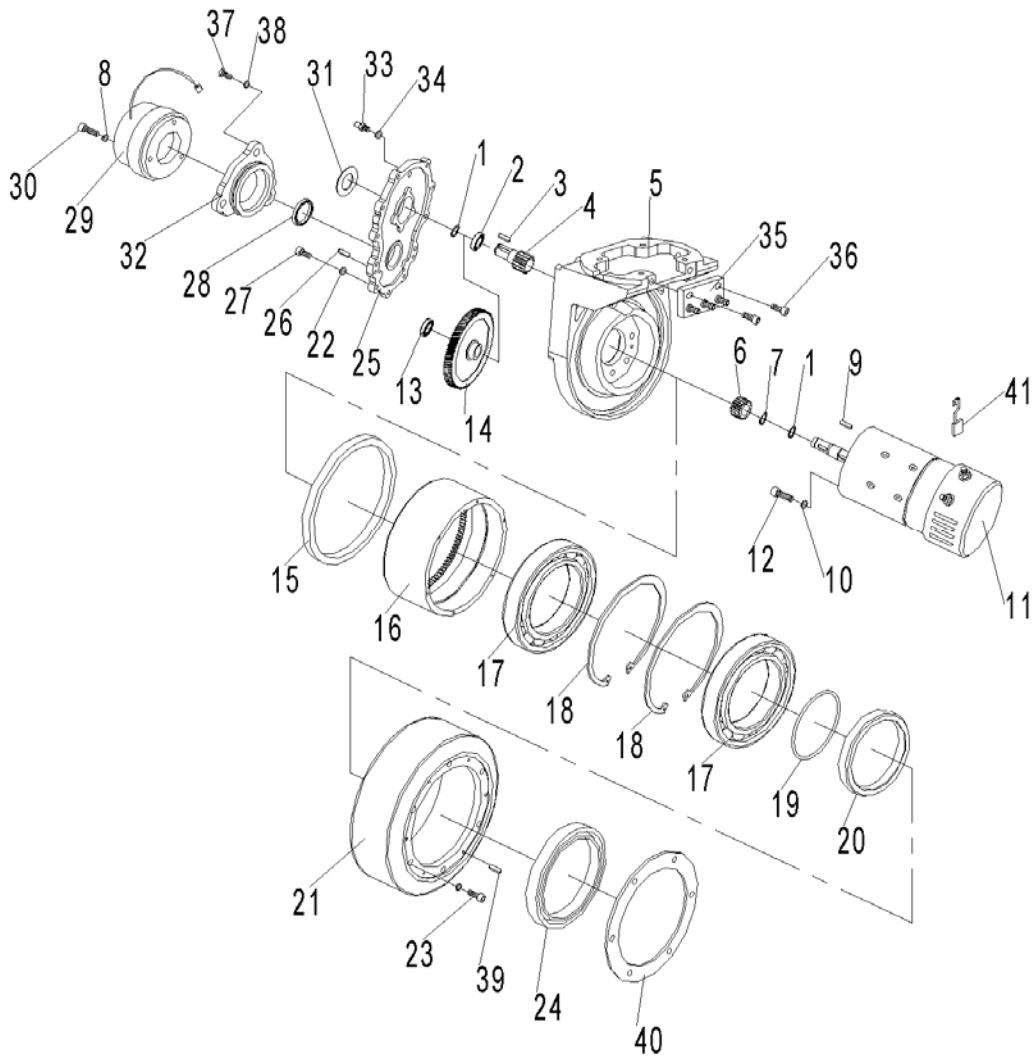
No.	Parts No.	Name	Qty.	Remarks
1	0000023061	Screw	4	
2	0000025004	Spring washer	4	
3	9000005940	Handle lever welding part	1	
4	1000123001	Screw	1	
5	1030418001	Sleeve	1	
6	9000007398	Air spring	1	F=800N
7	9000005945	Spindle	1	
8	0000013002	Shoulder sleeve	2	
9	0000028163	Cylindrical pin heavy	1	
10	0000025004	Spring washer	1	
11	0000023089	Screw	1	
12	9000007427	Proximity switch NBN5-FT-E2	1	
13	0000023075	Screw	2	
14	9000002406	Handle harness	1	
15	9000001927	Handle	1	

Fig.15 Economic tiller head



No.	Parts No.	Name	Qty.	Remarks
1	9000002189	Handle seat	1	
2	9000002175	Left driving switch	1	
3	9000008334	Accelerator BD-190	1	
4	9000002177	Accelerator connecting part	1	
5	9000002188	Sleeve	2	
6	9000002176	Right driving switch	1	
7	0000023304	Screw	2	
8	0000025003	Spring washer	2	
9	0000025026	Flat washer	2	
10	0090000190	Lock screw	2	
11	0090000189	Sunk screw	3	
12	9000002179	Handle downside cover	1	
13	0000023138	Sunk screw	4	
14	0000023040	Screw	2	
15	9000002178	Handle upper cover	1	
16	9000002311	Micro switch fixing large part	1	
17	9000002161	Micro switch SS-5GL2	4	
18	0090000261	Self-tapping screw	14	
19	9000002310	Micro switch fixing small part	2	
20	0090000262	Self-tapping screw	7	
21	9000002180	Belly seat	1	
22	9000002181	Belly inner seat	1	
23	9000002182	Spring 0.8	4	
24	9000002186	Spring 0.6	6	
25	9000002183	Horn button	1	
26	9000002184	Lifting button	1	
27	9000002185	Lowering button	1	
28	9000002187	Label	1	
29	9000002473	Handle micro switch assembly 2	1	
30	9000002190	Handle micro switch assembly 1	1	

Fig.16 Driving wheel assembly

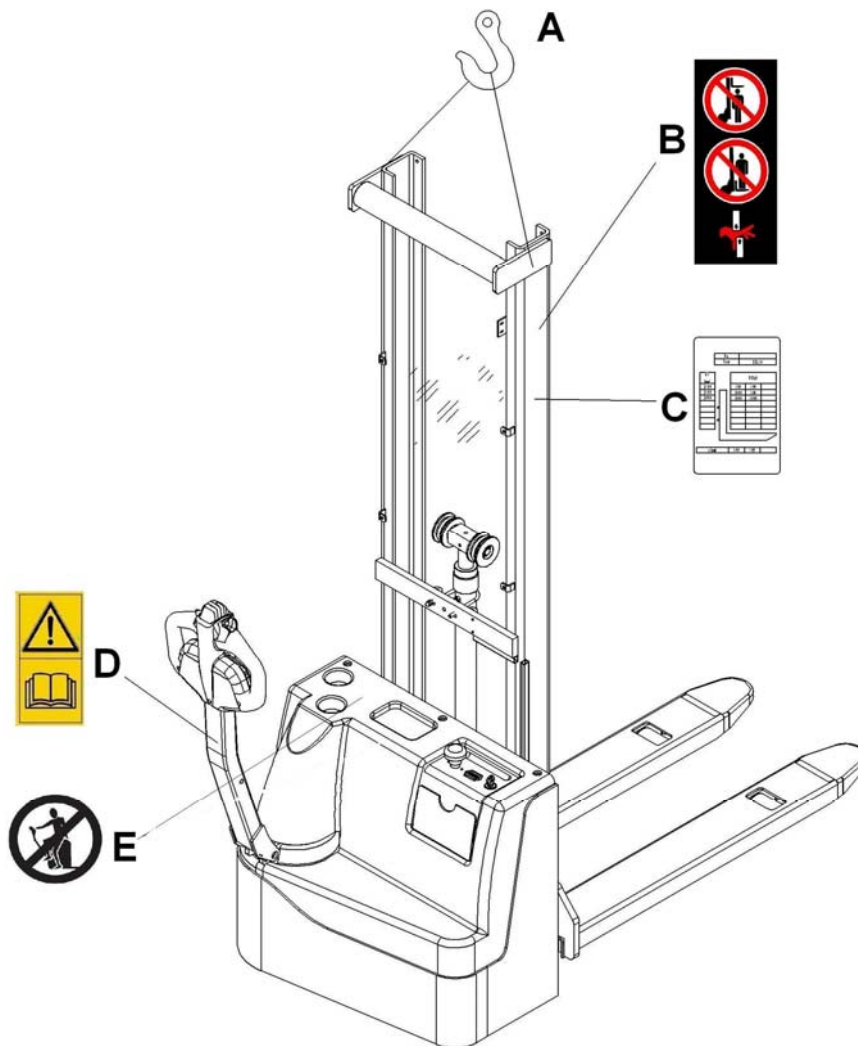


No.	Parts No.	Name	Qty.	Remarks
1	0000026005	Retainer ring	2	
2	0000027068	Bearing	1	
3	0000036005	Flat key A	1	5X18
4	9000002136	Bearing shaft	1	19EL100005
5	9000002137	Reduction box body	1	19EL100001
6	1070309001	Pinion	1	
7	0000026004	Retainer ring	1	
8	0000025009	Spring washer	3	
9	0000036002	Flat key	1	5X15
10	0000025020	Washer	5	

11	9000002138	Permanent magnet motor 0.45kW	1	
12	0000023061	Screw	5	
13	0000027086	Bearing	1	
14	1070309002	Gear wheel	1	
15	0090000178	Oil seal ring	1	
16	9000002139	Inner gear ring	1	19EL100008
17	0090000179	Bearing	2	
18	0090000180	Retainer ring	2	
19	0090000181	O ring	1	
20	9000002140	Filter seal seat	1	19EL100009
21	9000002141	Wheel	1	19EL110000
22	0000025006	Spring washer	11	
23	0090000182	Screw	10	
24	9000002142	Seal ring	1	19EL100011
25	1070302007	Gear box cover	1	
26	0000028144	Cylindrical pin	2	
27	0000023063	Screw	11	
28	0090000183	Oil seal	1	
29	1070335002	Electromagnetic brake	1	
30	0000023674	Screw	3	
31	1070302008	Blank cap	1	
32	1070302009	Protective sleeve	1	
33	1070123001	Air plug	1	
34	0000025021	Washer assembly	1	
35	1070302010	Cable fixed plate	1	
36	0000023675	Screw	2	M5X16
37	0000023065	Screw	3	
38	0000025012	Spring washer	13	
39	0090000184	Cylindrical pin	2	
40	0090000185	O ring	1	
41	9000002143	Carbon brush	1	

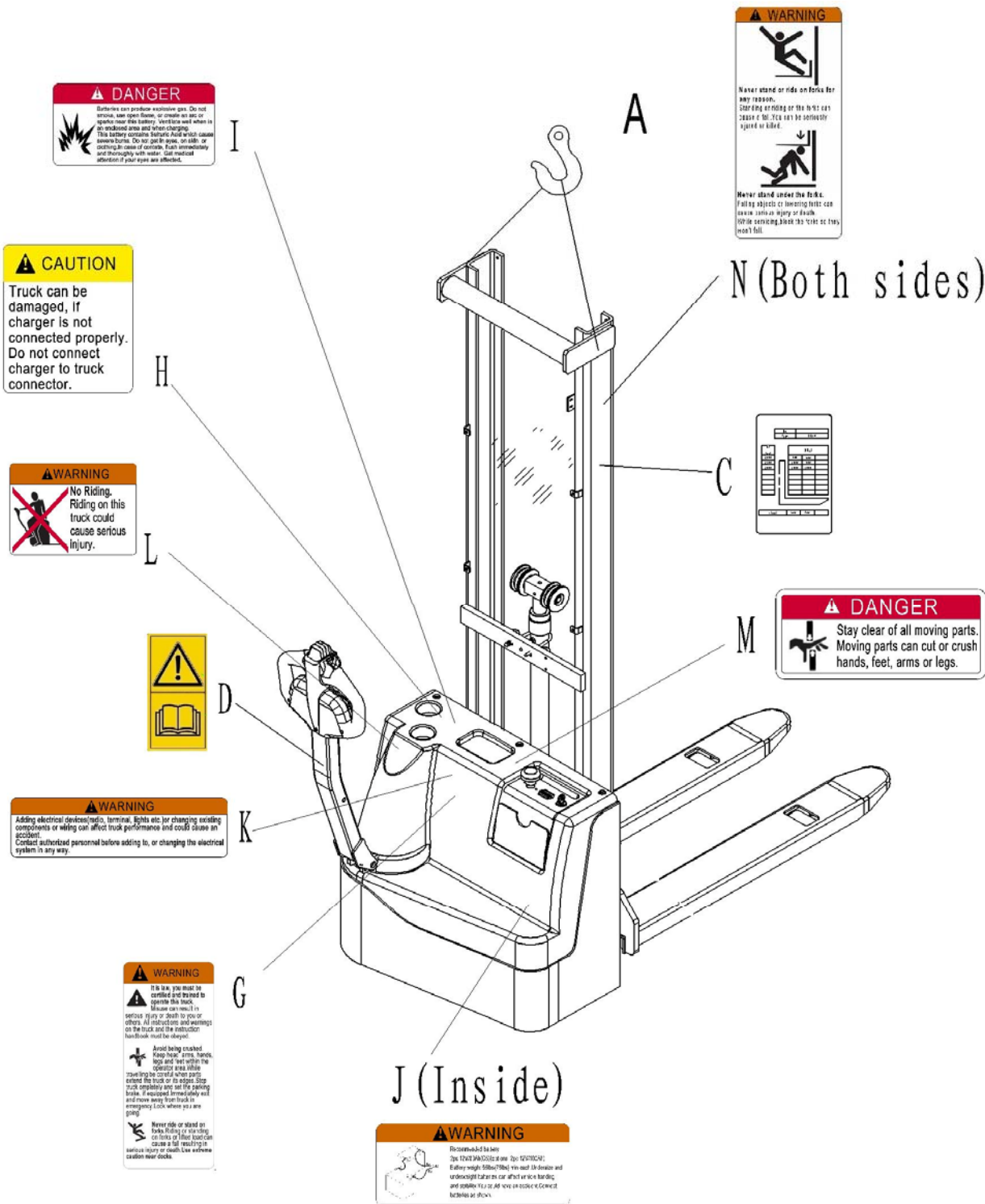
1. Gear spare parts need to offer in pairs.

Fig.17 Sticker for EU



No.	Art No.	Description	Qty.	Note
A	9000005967	Sign hook	2	
B	9000003923	Forbidden under/above the fork	1	
C	9000005968	Sign load curve	1	
D	9000003570	Sign read and follow this instruction	1	
E	9000003573	'No passengers' decal	1	

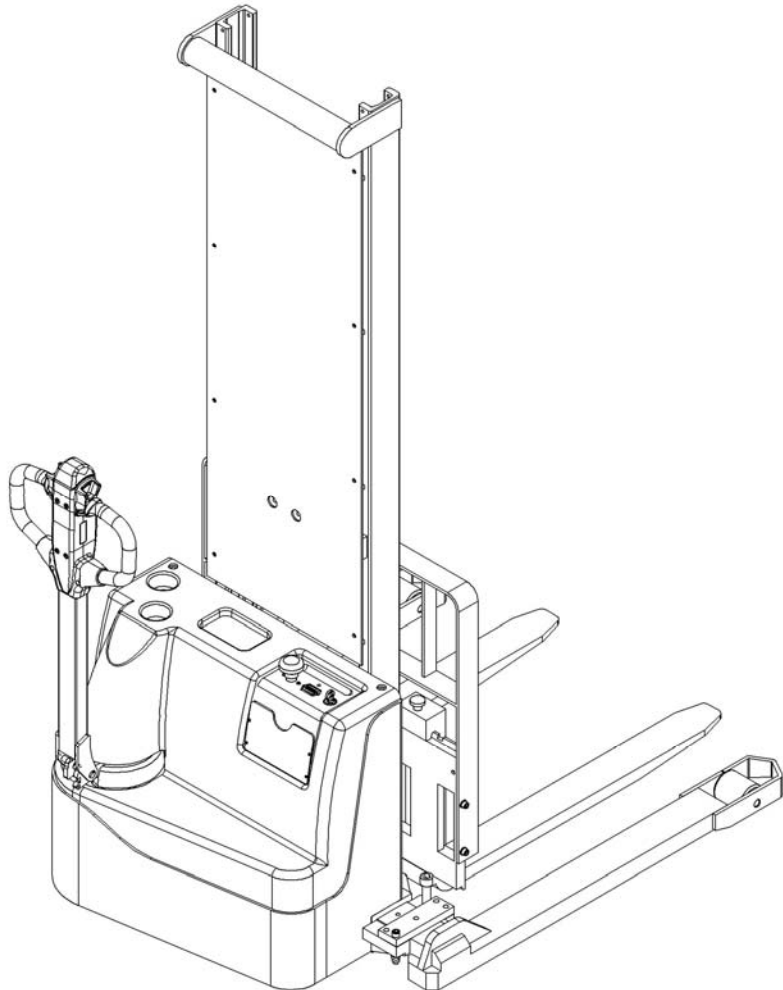
Fig.18 Sticker for US



No.	Art No.	Description	Qty.	Note
A	9000005967	Sign hook	2	
C	9000005968	Sign load curve	1	
D	9000003570	Sign read and follow this instruction	1	
G	9000003575	Sign warning stay clear stop truck	1	
H	9000003576	Sign caution charger	1	
I	9000003577	Sign danger battery	1	
J	9000003578	Sign warning battery size	1	
K	9000003579	Sign warning electrical devices	1	
L	9000003580	Sign danger not riding	1	
M	9000005970	Sign Danger moving parts.	1	
N	9000005971	Forbidden under/above the fork	2	

Spare parts list

Electric Stacker ECL 10M



Version 02/2015

From truck identification number:

30150200167

ECL 10M-BPT-003-EN

Catalogue

FIG.1	STICKER FOR EU	3
FIG.2	STICKER FOR US	4
FIG. 3	APPEARANCE.....	6
FIG. 4	FORK.....	8
FIG. 5	LOAD BACKREST (OPTIONAL)	9
FIG. 6	CASTOR	10
FIG. 7	LOAD WHEEL.....	12
FIG. 8	MAST ASSEMBLY.....	13
FIG. 9	ELECTRONIC CONTROL BOARD ASSEMBLY	15
FIG. 10	MAIN HARNESS	17
FIG.11	ELECTRIC PARTS AND COMPONENTS.....	18
FIG.12	HYDRAULIC SYSTEM	21
FIG. 13	CYLINDER ASSEMBLY	25
FIG. 14	PUMP SYSTEM.....	26
FIG.15	DRIVING SYSTEM	27
FIG.16	INSTRUMENT COMPONENTS.....	29
FIG.17	TILLER ARM ASSEMBLY	30
FIG.18	ECONOMIC TILLER HEAD	32
FIG.19	DRIVING WHEEL ASSEMBLY	34
	EASY WORN PARTS LIST	36

Fig.1 S ticker for EU

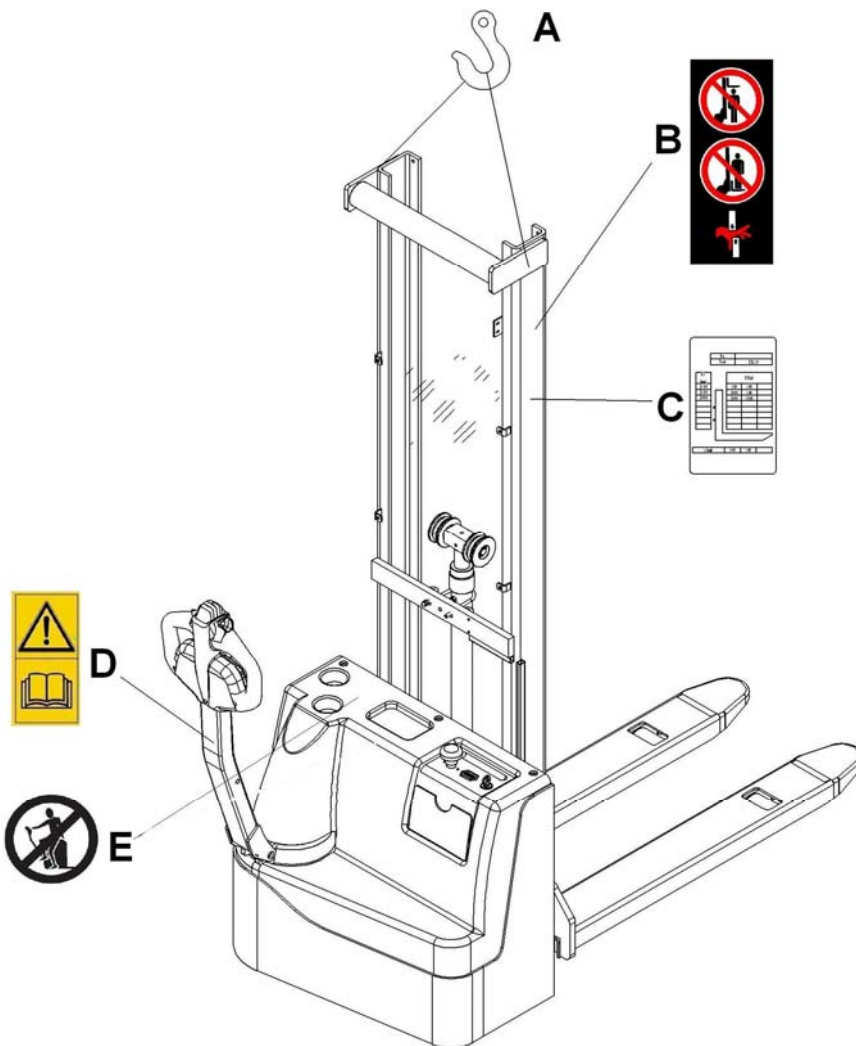


Fig.1 Sticker for EU

No.	Art No.	Description	Qty.	Note	standard
A	9000005967	Sign hook	2		
B	9000003923	Forbidden under/above the fork	1		
C	9000005968	Sign load curve	1		
D	9000003570	Sign read and follow this instruction	1		
E	9000003573	'No passengers' decal	1		

Fig.2 S ticker for US

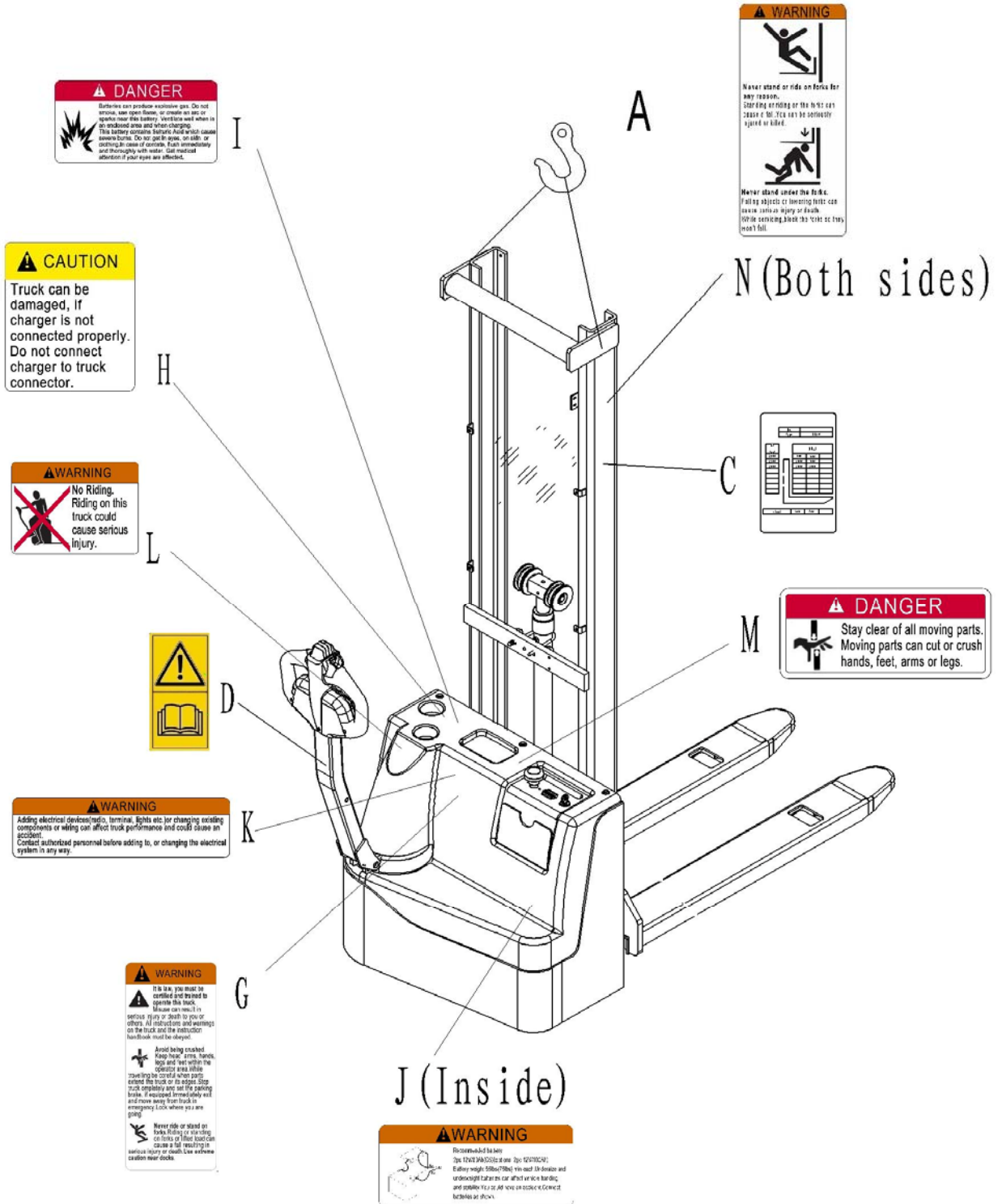


Fig.2 Sticker for US

No.	Art No.	Description	Qty.	Note	standard
A	9000005967	Sign hook	2		
C	9000005968	Sign load curve	1		
D	9000003570	Sign read and follow this instruction	1		
G	9000003575	Sign warning stay clear stop truck	1		
H	9000003576	Sign caution charger	1		
I	9000003577	Sign danger battery	1		
J	9000003578	Sign warning battery size	1		
K	9000003579	Sign warning electrical devices	1		
L	9000003580	Sign danger not riding	1		
M	9000005970	Sign Danger moving parts.	1		
N	9000005971	Forbidden under/above the fork	2		

Fig. 3 Appearance

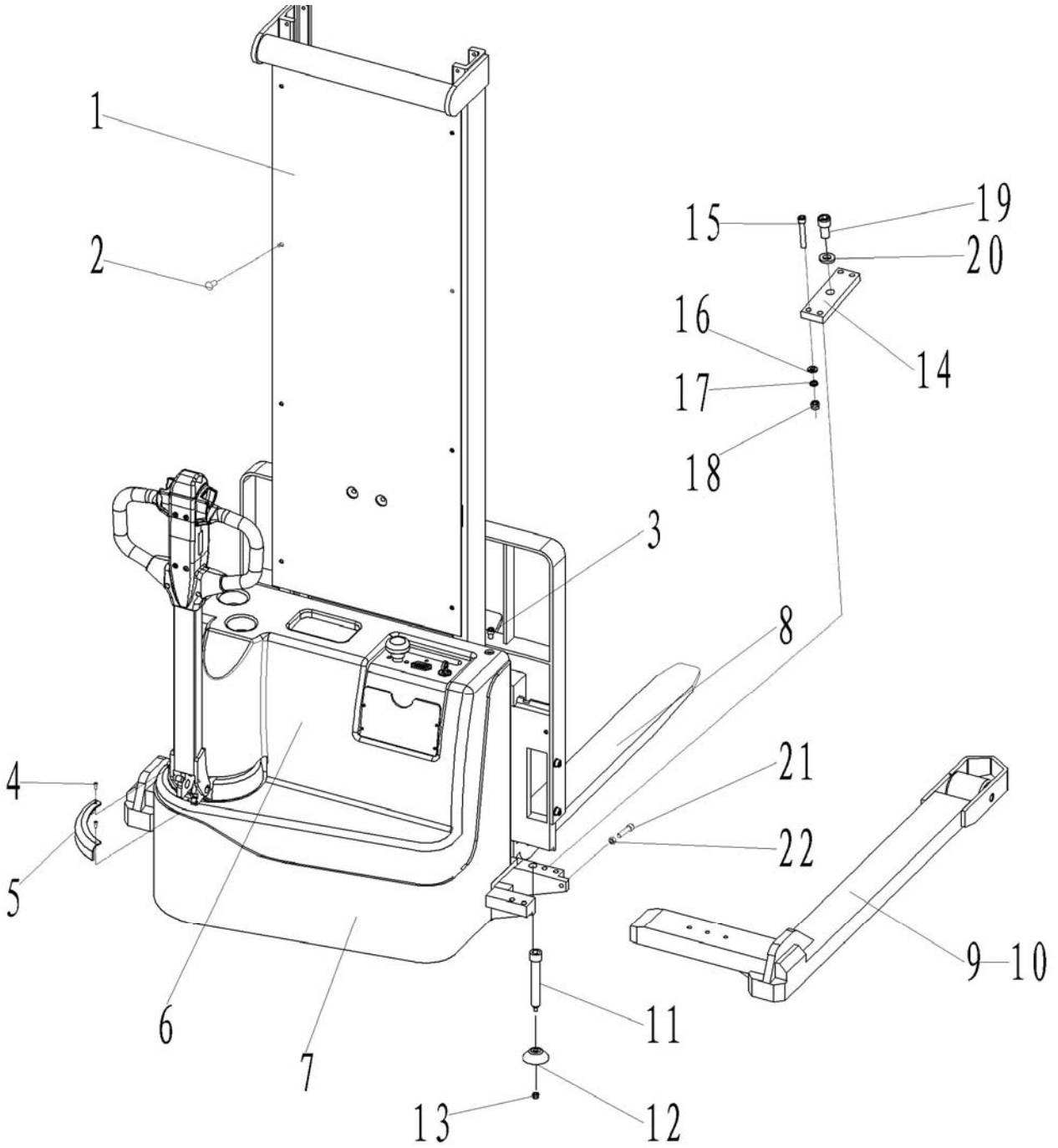


Fig. 3 Appearance

No.	Parts No.	Name	Qty.	Remarks	standard
1	9000002061	Protective plate	1	One-stage-mast	
	9000002097			One-stage-mast	
	9000002119			Two-stage-mast	
	9000009980			Two-stage-mast	
	9000009969			Two-stage-mast	
2	0000023555	Screw	8	M6x16	GB/T70.2=ISO7380
3	1000423003	Screw	2	M10X30	
4	0000023076	Screw	2	M5x12	GB/T70.1=ISO4762
5	9000002060	Opening plate	1		
6	9000002059	Box cover	1		
7	9000007457	Welded chassis	1	One-stage-mast	
	9000007475			One-stage-mast	
	9000007480			Two-stage-mast	
	9000010166			Two-stage-mast	
	9000010168			Two-stage-mast	
8	9000007451	Fork assembly	1	One-stage-mast	
	9000007476			Two-stage-mast	
9	9000007471	Welded right front leg	1		
10	9000007466	Welded front leg	1		
11	2050423001	Screw	2		
12	2050402001	Supporting seat	2		
13	0000024003	Nut	4	M8	GB/T889.1=ISO7040
14	9000007473	Pressing plate	2		
15	0000023518	Screw	8	M12x80	GB/T70.1=ISO4762
16	0000025032	Washer	8	12	GB/T95
17	0000025024	Washer	8	12	GB/T93
18	0000024006	Nut	8	M12	GB/T889.1=ISO7040
19	2050402003	Positioning pin	2		
20	0000025031	Washer	2	20	GB/T95
21	0000023025	Screw	4	M10x40	GB/T70.1=ISO4762
22	0000024013	Nut	4	M10	GB/T6170=ISO4032

Fig. 4 Fork

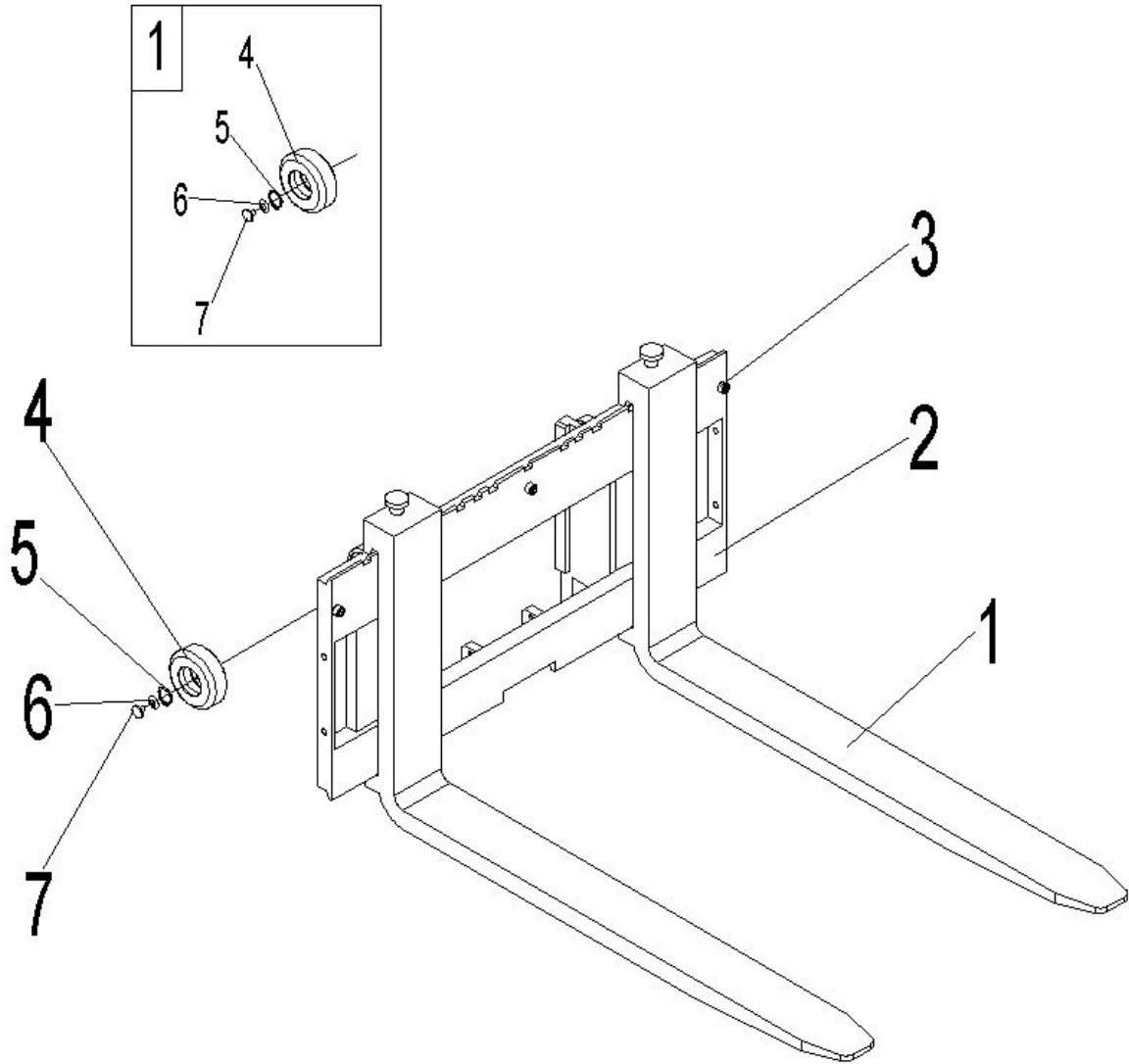


Fig. 4 Fork

No.	Parts No.	Name	Qty.	Remarks	standard
1	2080501001	Fork	2	950	
	2090501001	Fork	2	1150	
2	9000007453	Fork holder	1		
3	0000023088	Screw	3	M10x25	GB/T70.1=ISO4762
4	2530402002	Roller	4		
5	0000026013	Retaining ring	4	25	GB/T894.1
6	2500525001	Washer	2		
7	2500502003	Side block	4		
1	9000010404	wheel accessories	4		

Fig. 5 Load backrest (optional)

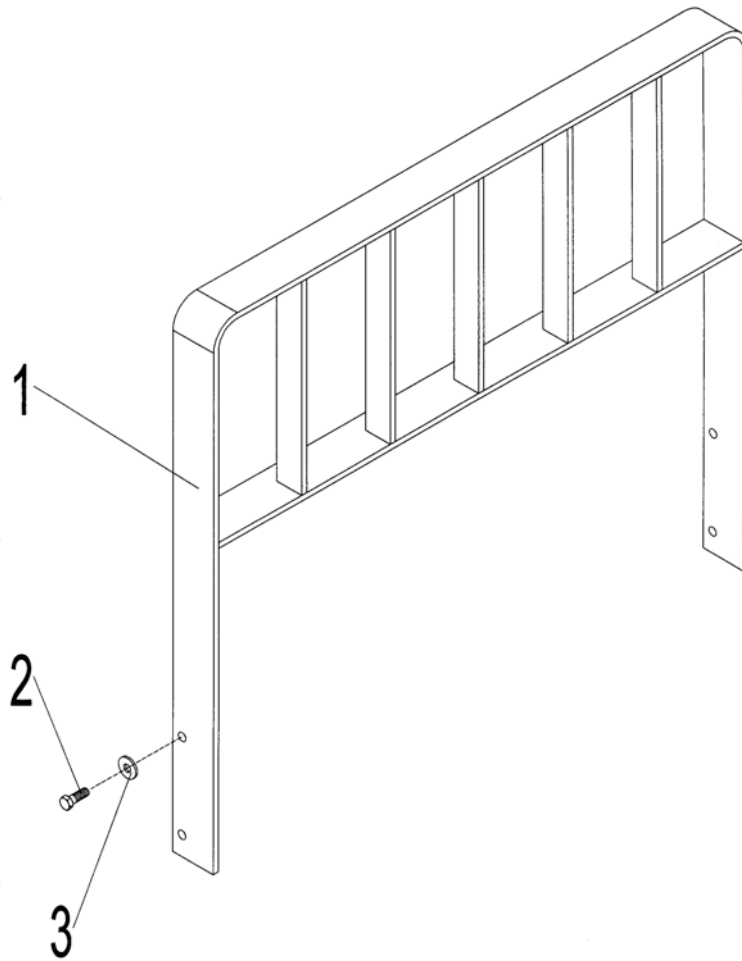


Fig. 5 Load backrest (optional)

No.	Parts No.	Name	Qty.	Remarks	standard
1	2100501004	Load backrest	1		
2	0000023034	Screw	4	M10x20	GB/T70.1=ISO4762
3	0000025002	Washer	4	10	GB/T95

Fig. 6 Castor

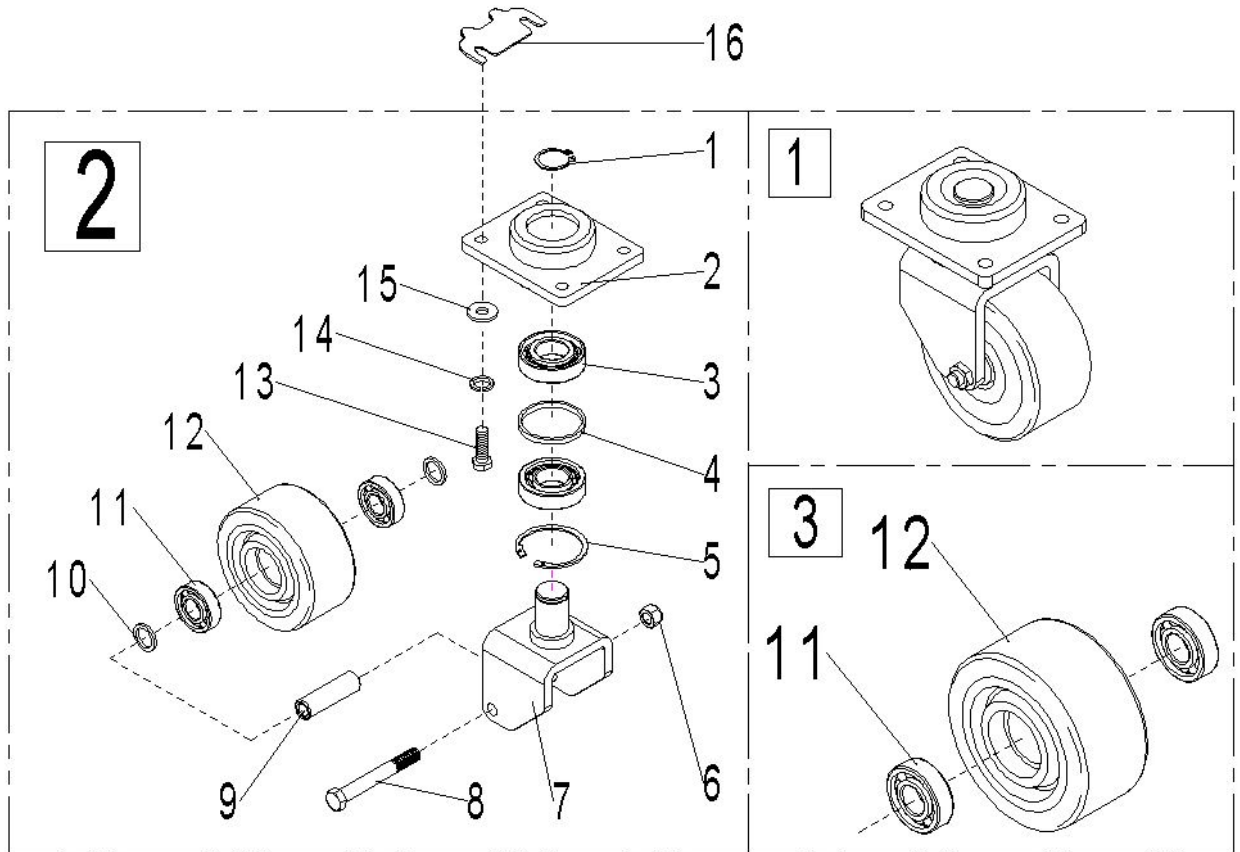


Fig. 6 Castor

No.	Parts No.	Name	Qty.	Remarks	Standard
1	0000026008	Retaining ring	1	30	GB/T894.1
2	2000405001	Bearing seat	1		
3	0000027013	Bearing	2	7206C/DB	GB/T292
4	2000413001	Bushing	1		
5	0000026010	Retaining ring	1	62	GB/T893.1
6	0000024015	Nut	1	M14	GB/T889.1=ISO7040
7	2000401007	Wheel frame	1		
8	0000023111	Bolt	1	M14x100	GB/T5782=ISO4014
9	2000413002	Shaft sleeve	1		
10	1000525001	Washer	2		
11	0000027001	Bearing	2	6204	GB/T276=ISO3290
12	2020416001	Wheel	1		

13	0000023029	Screw	4	M10x35	GB/T70.1=ISO4762
14	0000023006	Spring washer	4	10	GB/T93
15	0000025002	Washer	4	10	GB/T95
16	9000005936	Adjusting plate	4		
①	2040400001	Steering wheel assembly	1		
②	9000010408	steering wheel accessories	1		
③	9000003638	wheel accessories	1		

Fig. 7 Load wheel

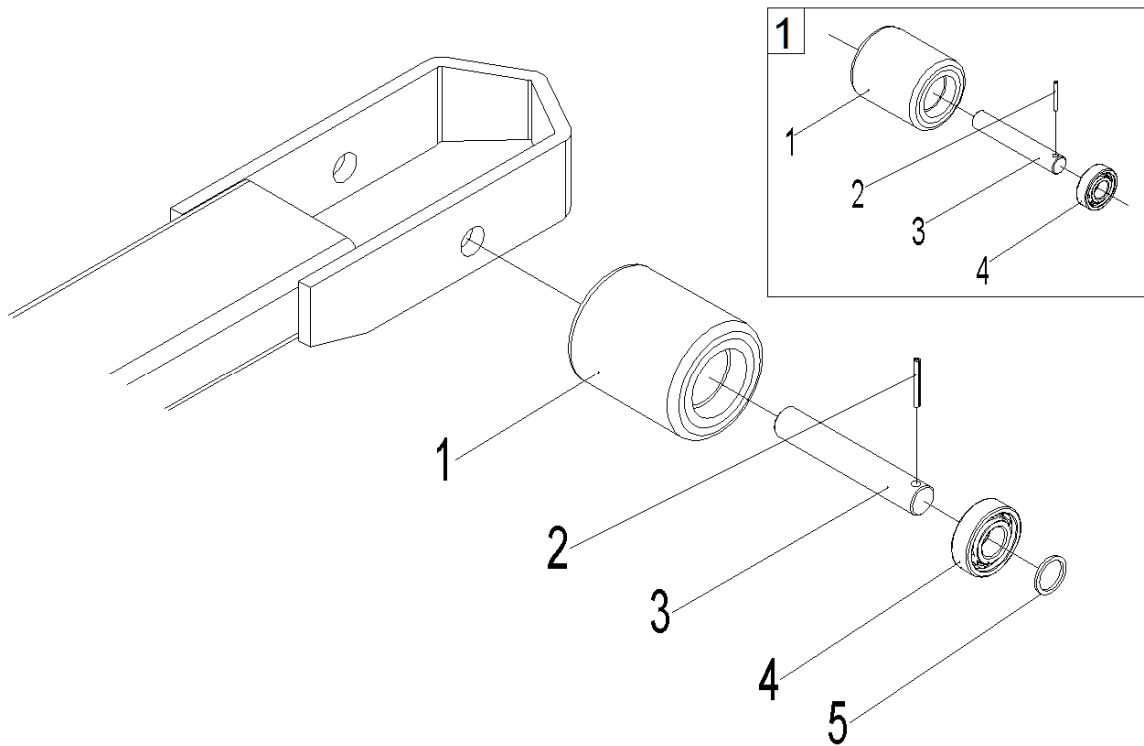
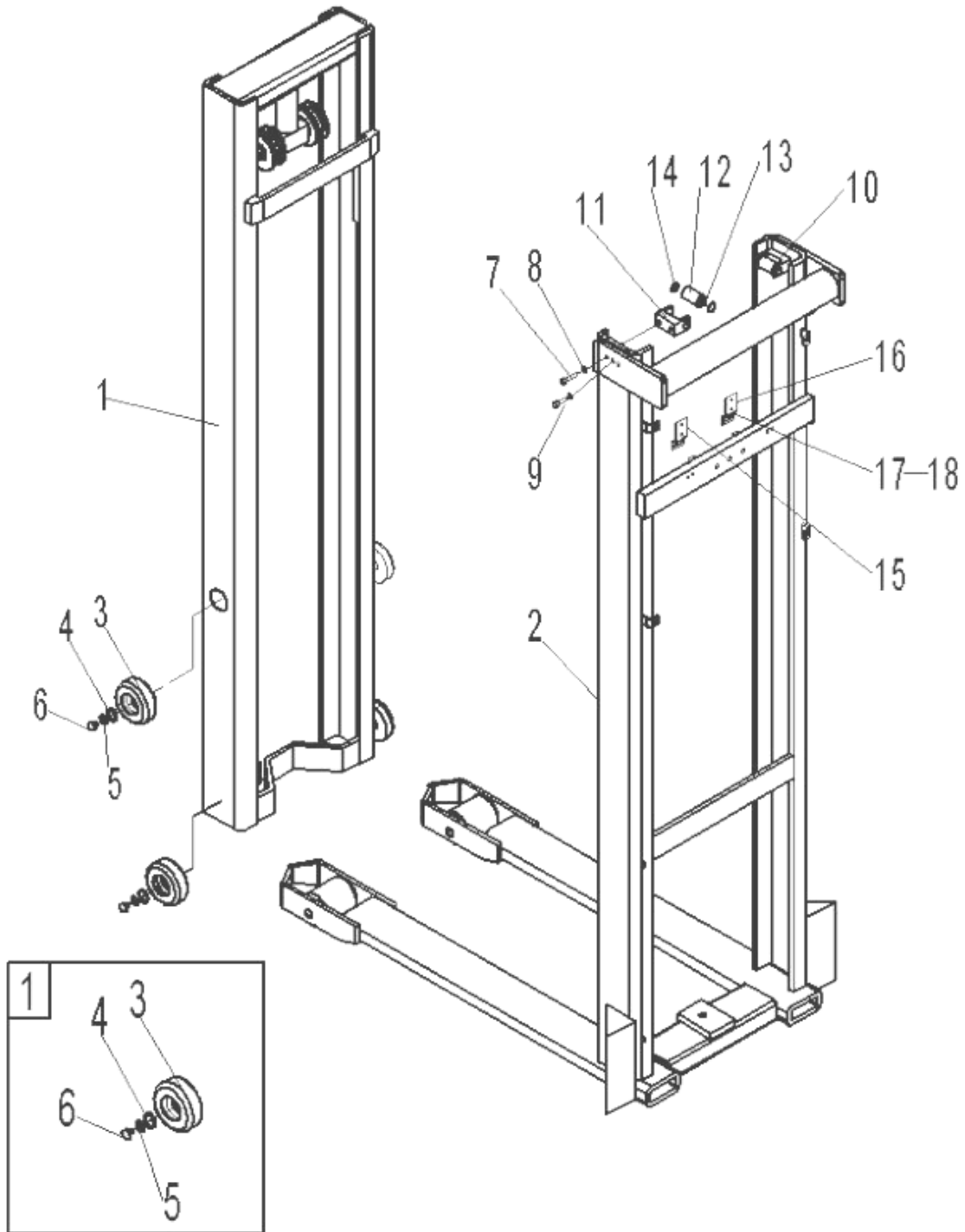


Fig. 7 Load wheel

No.	Parts No.	Name	Qty.	Remarks	standard
1	2000416003	Load wheel	1		
2	0000028055	Roll pin	2	5x40	GB/T879.1=ISO8752
3	1030507004	Rotating axle	1		
4	0000027001	Bearing	2	6204	GB/T276=ISO3290
5	1000525001	Washer	2		
1	9000010405	wheel accessories	1		

Fig. 8 Mast assembly

8.1 Two-stage-mast



8.1 Two-stage-mast

No.	Parts No.	Name	Qty.	Remarks	Standard
1	9000002124	Inner mast welding	1	Two-stage-mast 2900	
	9000009984			Two-stage-mast 3500	
	9000009973			Two-stage-mast 3200	
2	9000007480	Welded chassis	1	Two-stage-mast 2900	
	9000010166			Two-stage-mast 3500	
	9000010168			Two-stage-mast 3200	
3	2530402002	Roller	4		
4	0000026013	Retaining ring	4	25	GB/T894.1
5	2500525001	Washer	2		
6	2500502003	Side cushion	4		
7	0000023172	Screw	4	M8x30	GB/T70.1=ISO4762
8	0000025001	Standard spring washer	4	8	GB/T93
9	0000023047	Screw	2	M8x25	GB/T70.1=ISO4762
10	2530500002	Guide wheel	2	组件	
11	2530504007	Wheel seat	2		
12	2500511002	Guide wheel	2		
13	2500507003	Pin roll	2		
14	0000026034	Retaining ring	4	12	GB/T894.1
15	9000002120	Micro switch fixing plate	1		
16	9000005946	Proximity switch fixing plate	1		
17	0000023555	Screw	4	M6x16	GB/T70.2=ISO7380
18	0000023055	Washer	4	6	GB/T95
1	9000010404	wheel accessories	4		

Fig. 9 Electronic control board assembly

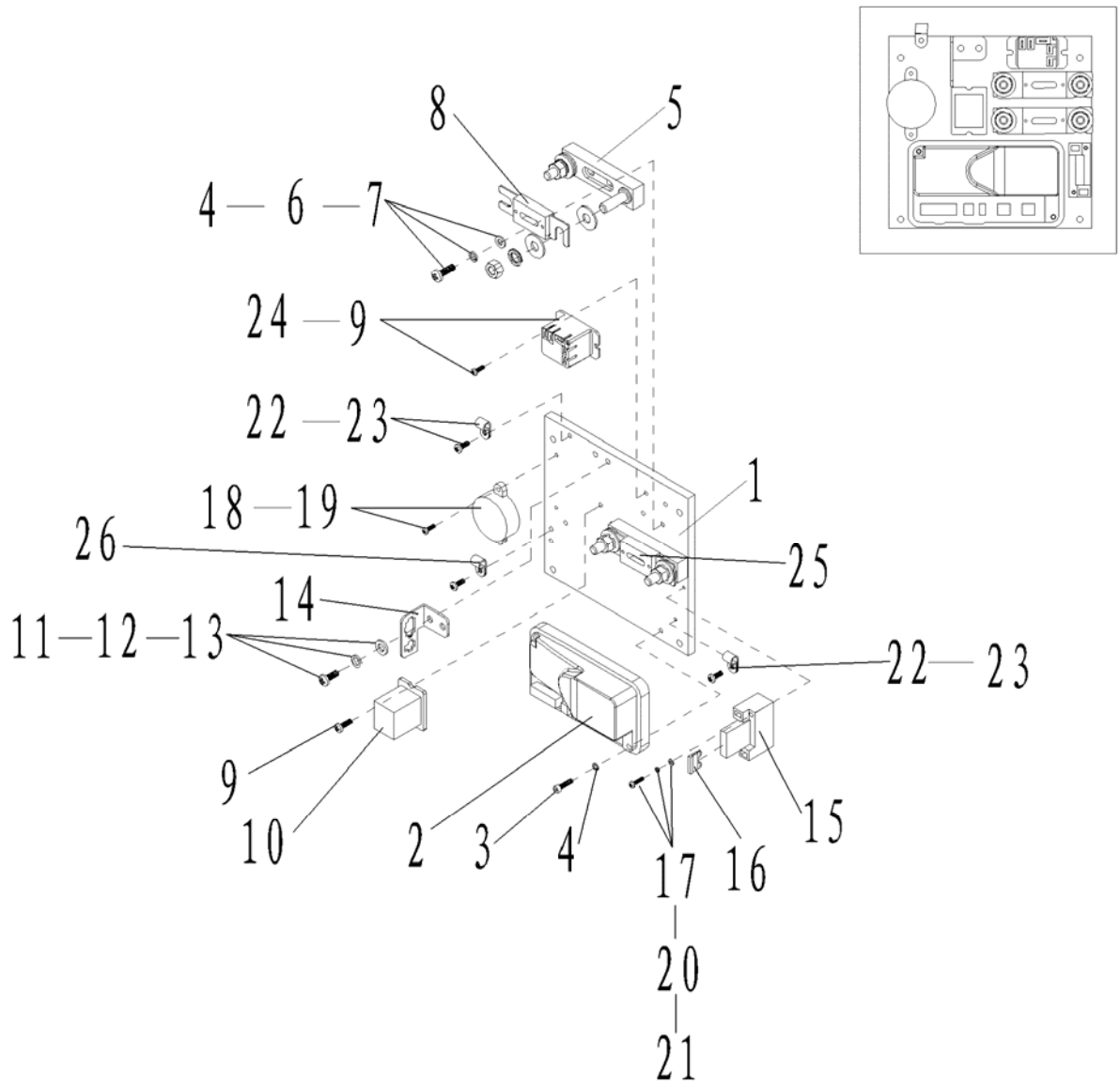


Fig. 9 Electronic control board assembly

No.	Parts No.	Name	Qty.	Remarks	Standard
1	9000002066	Aluminum plate	1		
2	9000009802	Controller CURTIS1212P-2501	1		
3	0000023033	Screw	2	M4x25	GB/T70.1=ISO4762
4	0000025018	Standard spring washer	8		GB/T93
5	1000434007	Fuse seat	2	SY Y	
6	0000025019	Washer	6	4	GB/T95
7	0000023211	Screw	2	M4x16	GB/T818=ISO7045
8	2210434004	Fuse	1	150A	
9	0000023071	Screw	2	M4x8	GB/T818=ISO7045
10	9000005985	Temperature protection module BD-W-115-N	1		
11	0000023516	Screw	2	M5x10	GB/T818=ISO7045
12	0000025014	Washer	2	5	GB/T95
13	0000025015	Standard spring washer	2	5	GB/T93
14	1000404005	Connector	1		
15	1000434021	Fuse seat	1	BD-1X10A	
16	1000434040	Fuse	1	10A	
17	0000023074	Screw	2	M3x30	GB/T818=ISO7045
18	9000007394	Buzzer	1		
19	0000023648	Screw	2	M3x8	GB/T818=ISO7045
20	0000025003	Standard spring washer	2	3	GB/T93
21	0000025026	Washer	2	3	GB/T95
22	1000403004	Strain relief UC-2	1		
23	0000023307	Screw	1	M4x10	GB/T818=ISO7045
24	9000002322	Relay ARP12F-1C 24VDC	1		
25	1000434020	Fuse	1	60A	
26	9000002325	Strain relief UC-5	2		

Fig. 10 Main harness

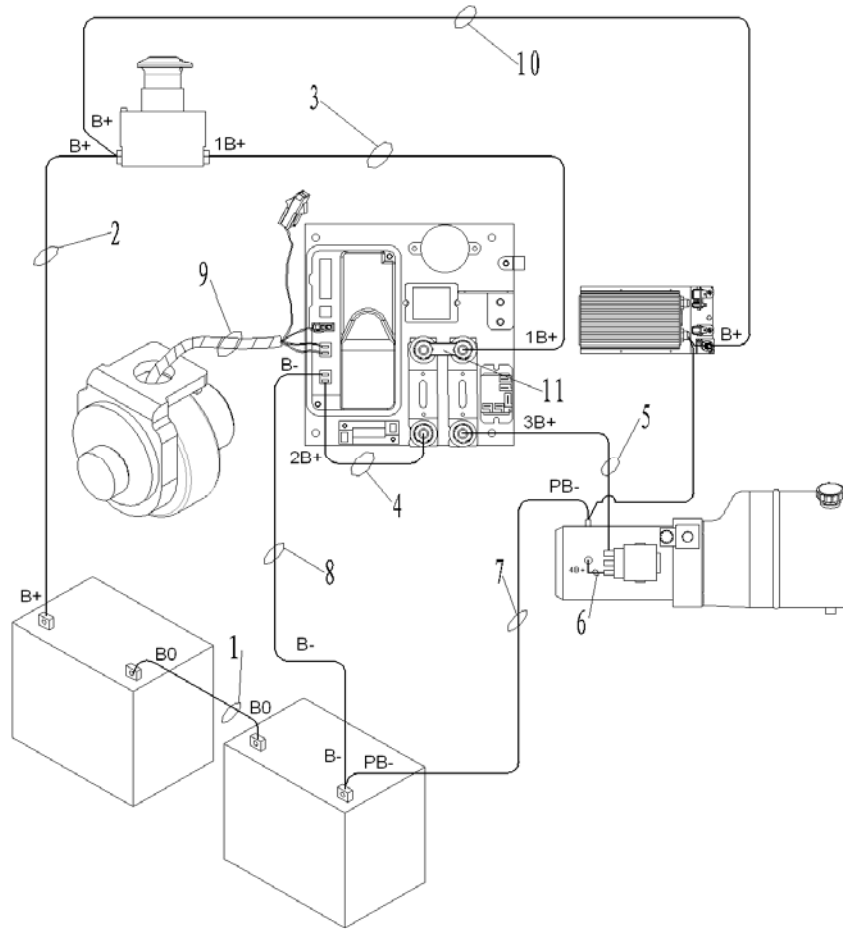


Fig. 10 Main Harness

No.	Parts No.	Name	Qty.	Remarks	Standard
1	9000002409	B0 wire	1		
2	9000002410	B+ wire	1		
3	9000002411	1B+ wire	1		
4	9000002412	2B+ wire	1		
5	9000002413	3B+ wire	1		
6	9000002414	4B+ wire	1		
7	9000002415	PB- wire	1		
8	9000002416	B- wire	1		
9	9000002417	Driving wheel harness	1		
10	9000002418	Charger anode B+ wire	1		
11	1020434003	Copper bar —	1		
12	9000008788	Charger B- wire	1		

Fig.11 Electric parts and components

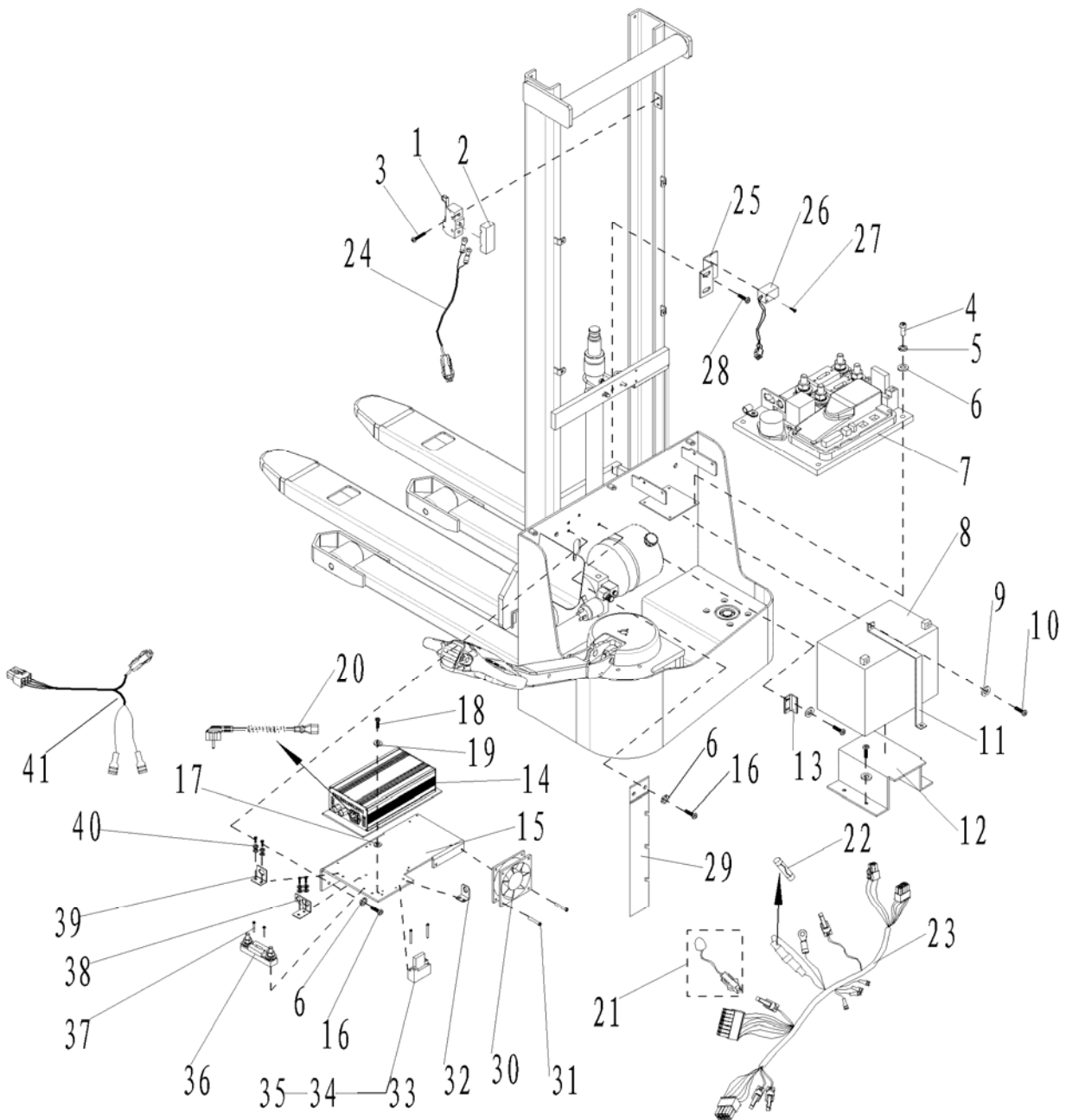


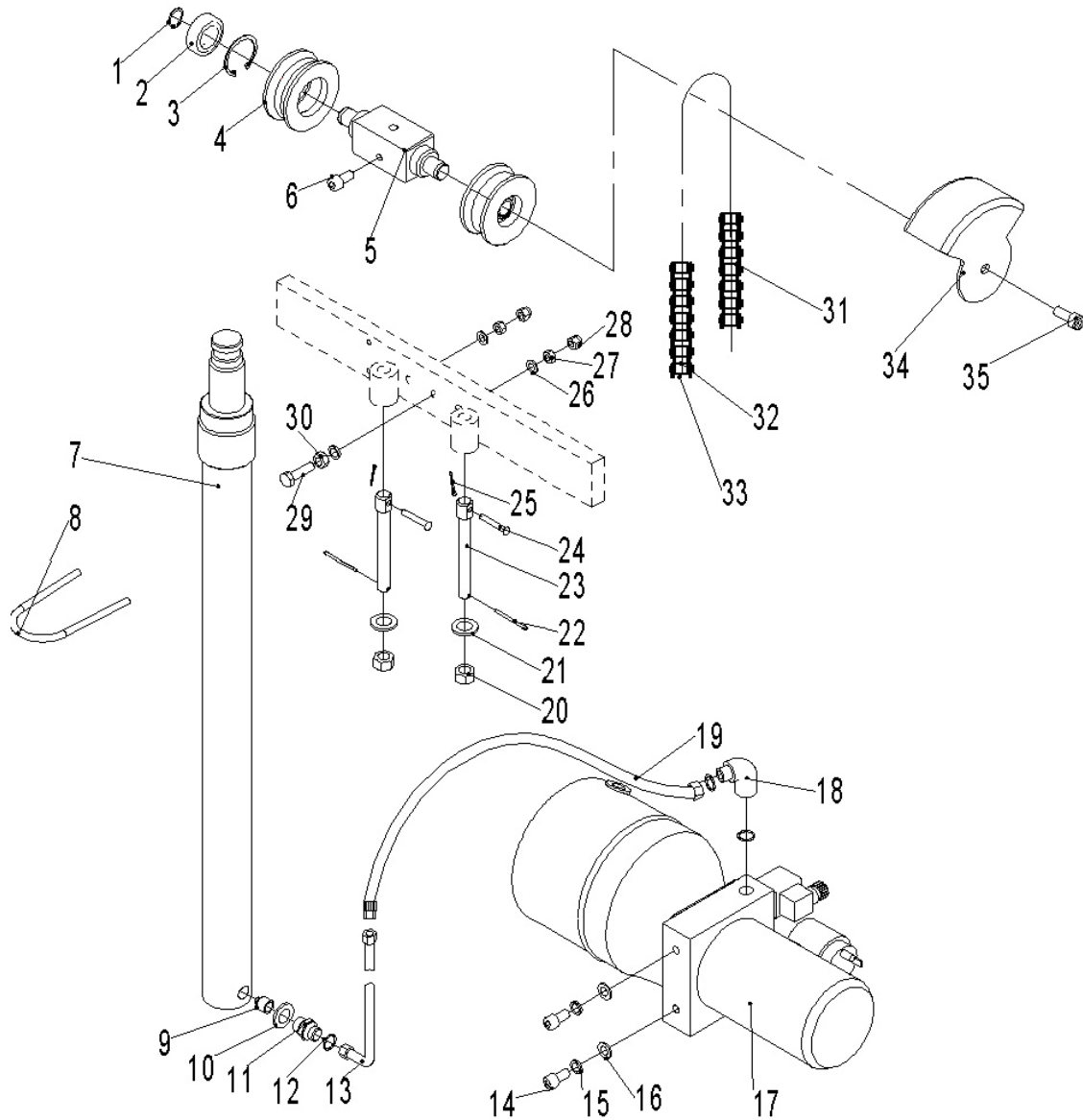
Fig.11 Electric parts and components

N o.	Parts No.	Name	Qty	Remarks	standard
1	2040634001	Micro switch XZ-15GW22-B	2		
2	2040603002	Micro switch protective cover	2		
3	0000023033	Screw	4	M4x25	GB/T70.1=ISO4762
4	0000023107	Screw	6	M5x16	GB/T70.1=ISO4762
5	0000025015	Standard spring washer	18	5	GB/T93
6	0000025014	Washer	6	5	GB/T95
7	9000002065	Electronic control assembly	1		
8	1000432001	Battery 12V/85Ah	2	Optional	
	2100432001	Battery 12V/106Ah	2		
9	0000025011	Washer	8	8	GB/T95
10	0000023012	Screw	8	M8x12	GB/T70.1=ISO4762
11	9000002062	Battery holder	1		
12	9000002063	Battery fixing seat	1	With 106Ah battery	
13	9000002064	Battery fixing angle iron	2		
14	9000002068	Charger 24V/10A NCN24101P22	1	Input voltage: 220AC(domestic trade)	
	9000008638	Charger 24V/10A QQE240-11CH59	1	Input voltage: 100-240AC(foreign trade)	
15	9000008678	Battery holder	1		
16	0000023076	Screw	6	M5X12	GB/T70.1=ISO4762
17	1000418002	Valve washer	1		
18	0000023056	Screw	4	M4X12	GB/T70.1=ISO4762
19	0000025019	Washer	4	4	GB/T95
20	1010434009	Double end power cort plug 3*0.75(Australian)	1	Optional	
	1010434011	Double end power cort plug 3*0.75(English)	1		
	1010434012	Double end power cort plug 3*0.75(European)	1		
	1010434013	Double end power cort plug 3*0.75(Italian)	1		
	1010434014	Double end power cort plug 3*0.75(Sweden)	1		
	2530334005	Double end power cort plug 3*0.75(American)	1		
	1010434023	Double end power cort plug 3*0.75(Asian)	1		

21	9000002192	LED Fault display assembly	1		
22	9000002324	Fuse tube	1	5*20 0.5A	
23	9000002407	Control harness	1		
24	9000002408	Micro switch harness	1		
25	9000002079	Proximity switch fixing plate	1		
26	9000007427	Proximity switch NBN5-FT-E2	1	One-stage-mast	
	9000007428	Proximity switch NBN5-FT-E2	1	Two-stage-mast	
27	0000023075	Screw	2	M3X20	GB/T70.1=ISO4762
28	0000023042	Screw	2	M6x10	GB/T70.1=ISO4762
29	9000005937	Cable holder	1		
30	1010434007	Fan ADDA DC12V	1		
31	0000023041	Screw	2	M4x30	GB/T818=ISO7045
32	1010404005	Connector holder	1		
33	1000434021	Fuse seat	1	BD-1X10A	
34	1010434008	Fuse	1	1A	
35	0000023074	Screw	2	M3x30	GB/T818=ISO7045
36	1000434007	Fuse seat	1	SY	
37	0000023211	Screw	2	M4x16	GB/T818=ISO7045
38	1000404005	Connector holder	1		
39	1010404006	Connector holder	1		
40	0000023516	Screw	6	M5x10	GB/T818=ISO7045
41	9000008787	Fan connecting wire	1		

Fig.12 Hy draulic system

12.1 One-stage-mast hydraulic system

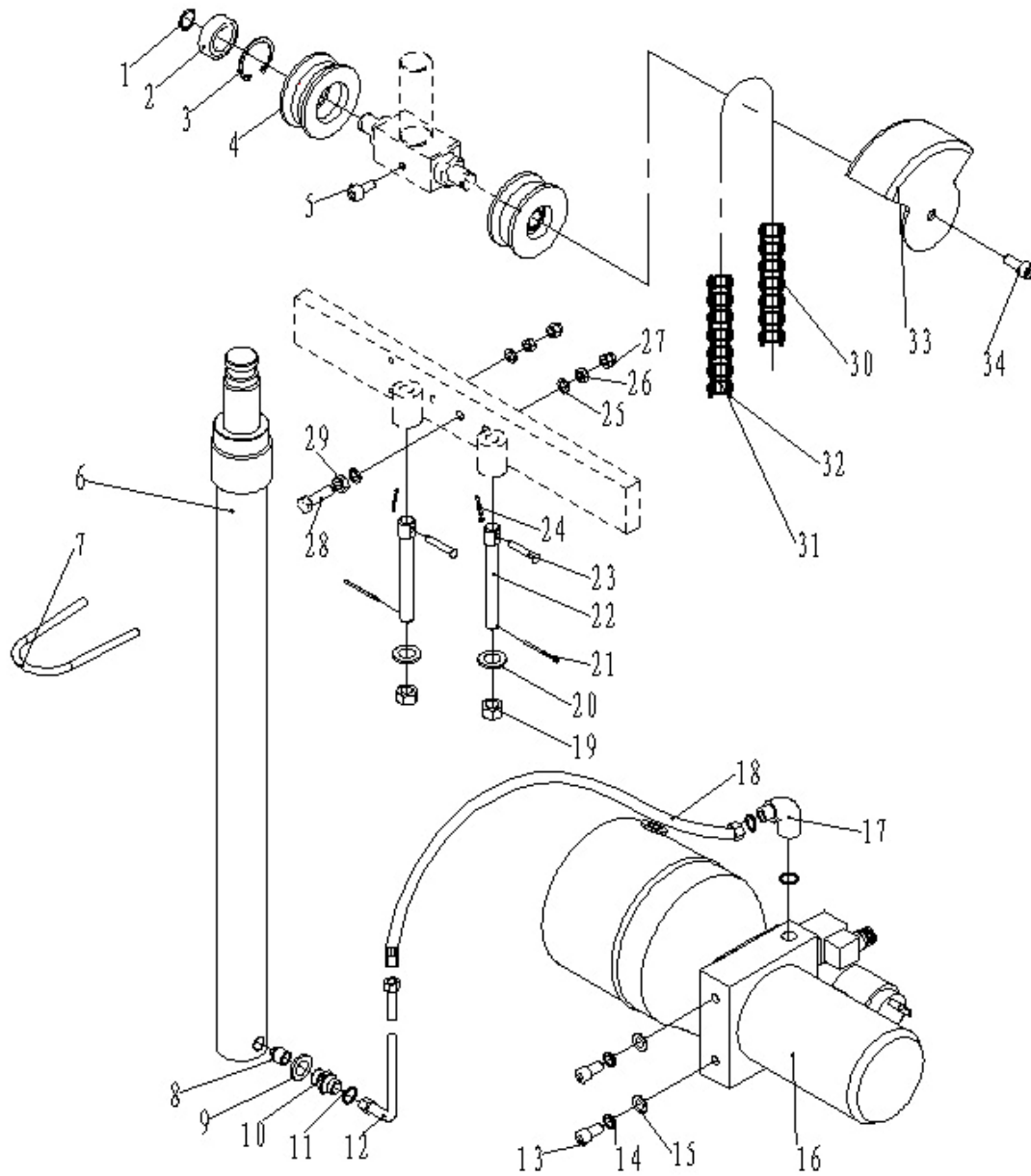


12.1 One-stage-mast hydraulic system

No.	Parts No.	Name	Qty.	Remarks	standard
1	0000026003	Retaining ring	2	20	GB/T894.1
2	0000027001	Bearing	2	6204	GB/T276=ISO3290
3	0000026009	Retaining ring	2	47	GB/T893.1
4	2510510001	Chain wheel	2		
5	2500502005	Base	1		
6	0000023067	Screw	1	M8x16	GB/T70.1=ISO4762
7	9000002081	Cylinder assembly	1	ECL1020	

	9000002099	Cylinder assembly	1	ECL1016	
8	2530202002	Cylinder hoop	1		
9	2000337001	Safety explosion-proof	1		
10	0000022051	Combination seal washer	1	16	
11	2000317002	Straight joint	1		
12	0000022011	O rubber seal ring	3	8x1.8	GB/T3452.1=ISO3601
13	9000002082	High pressure steel tube	1		
14	0000023099	Screw	2	M10x45	GB/T70.1=ISO4762
15	0000023006	Standard spring washer	3	10	GB/T93
16	0000025106	Washer	2	10	GB/T95
17	2130300002	Pump station	1		
18	0000017002	O ring seal joint	1	JTJ8-G3/8-M16x1.5	
19	9000002083	High pressure rubber tube	1		
20	0000024087	Nut	4	M14	GB/T6170=ISO4032
21	0000025079	Washer	2	14	GB/T95
22	0000028011	Split pin	2	3x40	GB/T91=ISO1234
23	2500502007	Chain tension bar	2		
24	0000028110	Pin roll	2	6x40	GB/T880
25	0000028092	Split pin	2	1x8	GB/T91=ISO1234
26	0000025011	Washer	2	8	GB/T95
27	0000024086	Nut	2	M8	GB/T6170=ISO4032
28	0000024092	Nut	2	M8	GB/T923
29	0000024013	Nut	2	M10	GB/T6170=ISO4032
30	0000023503	Bolt	1	M10x35	GB/T5783=ISO4017
31	0000029301	Roller chain	2	ECL1020	GB/T1243=ISO606
	0090000432	Roller chain	2	ECL1016	GB/T1243=ISO606
32	0000028030	Pin roll	2	6x45	GB/T882=ISO2341
33	0000028010	Split pin	2	2x20	GB/T91=ISO1234
34	2530504001	Chain wheel cover	2		
35	0000023044	Screw	2	M8x20	GB/T70.1=ISO4762

12.2 T wo-stage-mast hydraulic system



12.2 Two-stage-mast hydraulic system

No.	Parts No.	Name	Qty.	Remarks	standard
1	0000026003	Retaining ring	2	20	GB/T894.1
2	0000027001	Bearing	2	6204	GB/T276=ISO3290
3	0000026009	Retaining ring	2	47	GB/T893.1
4	2510510001	Chain wheel	2		
5	0000023067	Screw	1	M8x16	GB/T70.1=ISO4762
6	9000002122	Cylinder assembly	1	ECL1029	
	9000009971			ECL1032	
	9000009982			ECL1035	

7	2530202002	Cylinder hoop	1		
8	2000337001	Safety explosion-proof	1		
9	0000022051	Combination seal	1	16	
10	2000317002	Straight joint	1		
11	0000022011	O rubber seal ring	3	8x1.8	GB/T3452.1=ISO3601
12	9000002082	High pressure steel	1		
13	0000023099	Screw	2	M10x45	GB/T70.1=ISO4762
14	0000023006	Standard spring	3	10	GB/T93
15	0000025106	Washer	2	10	GB/T95
16	2130300002	Pump station 24V2.2KW2.0	1		
17	0000017002	Joint	1	JTJ8-G3/8-M16x1.5	
18	9000002082	High pressure rubber	1		
19	0000024087	Nut	2	M14	GB/T6170=ISO4032
20	0000025079	Washer	2	14	GB/T95
21	0000028011	Split pin	2	3x40	GB/T91=ISO1234=ISO1234
22	2500502007	Chain tension bar	2		
23	0000028110	Pin roll	2	6x40	GB/T880
24	0000028092	Split pin	2	1x8	GB/T91=ISO1234
25	0000025011	Washer	2	8	GB/T95
26	0000024086	Nut	2	M8	GB/T6170=ISO4032
27	0000024092	Nut	2	M8	GB/T923
28	0000024013	Nut	2	M10	GB/T6170=ISO4032
29	0000023503	Bolt	1	M10x35	GB/T5783=ISO4017
30	0000029268	Roller chain	2	ECL1029	GB/T1243=ISO606
	0090000550			ECL1032	GB/T1243=ISO606
	0090000551			ECL1035	GB/T1243=ISO606
31	0000028030	Pin roll	2	6x45	GB/T882=ISO2341
32	0000028010	Split pin	2	2x20	GB/T91=ISO1234
33	2530504001	Chain wheel cover	2		
34	0000023044	Screw	2	M8x20	GB/T70.1=ISO4762

Fig. 13 Cy linder assembly

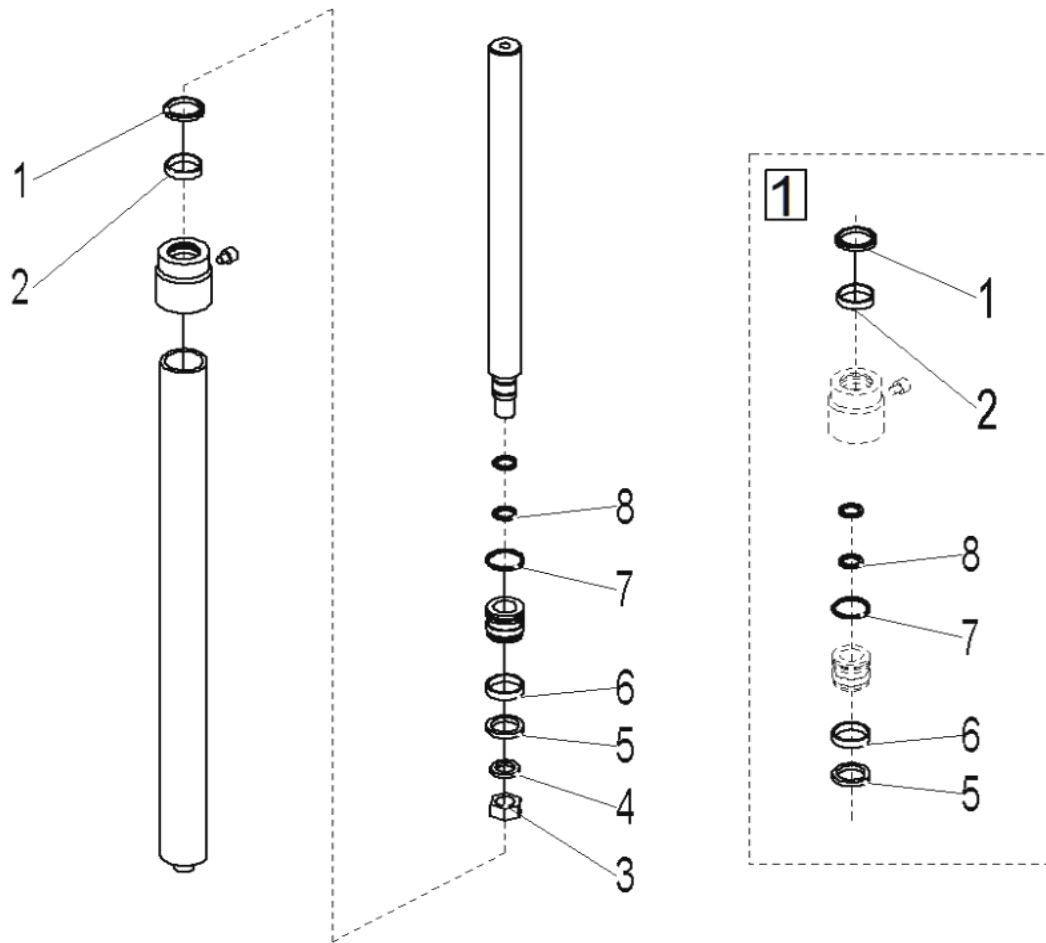


Fig. 13 Cylinder assembly

No.	Parts No.	Name	Qty.	Remarks	standard
1	2000322001	Dust ring	1	40X48-5/6.5	
2	2000322002	Support ring for shaft	1	40X10-2	
3	0000024074	Nut	1	M20x1.5	GB/T6171= ISO8673
4	0000025033	Standard spring washer	1	20	GB/T93
5	2010322001	Y seal ring	1	45X35-6	
6	2000322003	Support ring for hole	1	45X10-2	
7	0000022013	O ring	1	45X3.1	GB1235
8	0000022014	O ring	2	25X3.1	GB1235
1	9000010407	sealing accessories	1	Sealing parts	

Fig. 14 Pump system

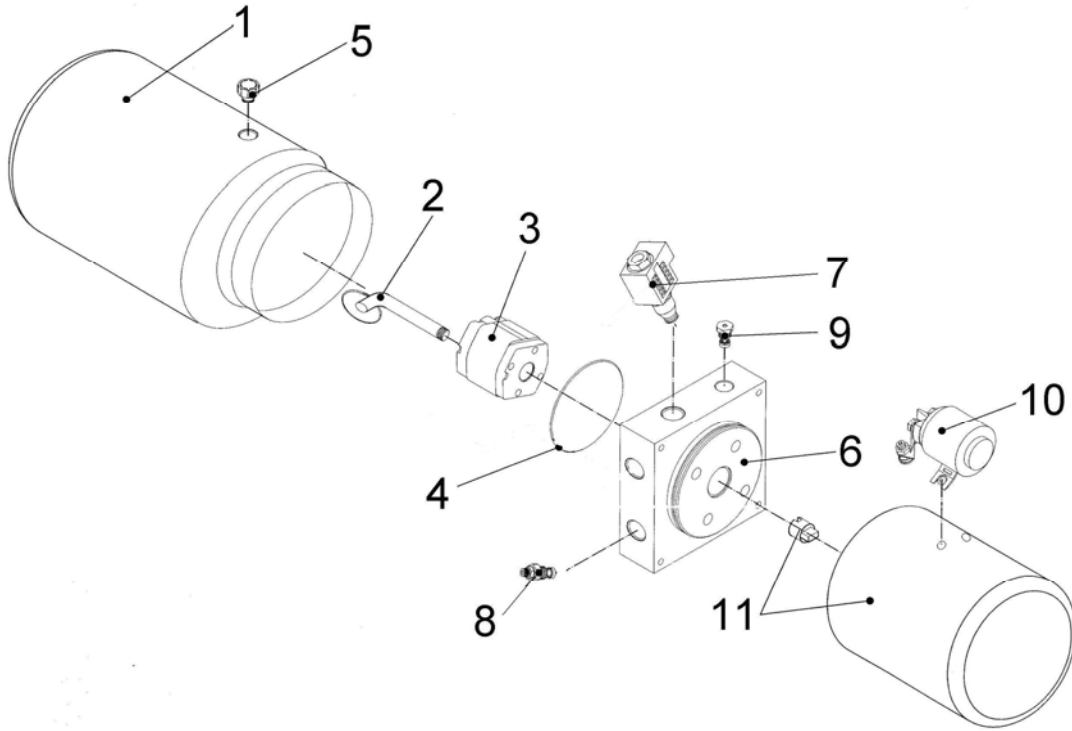


Fig. 14 Pump system

No.	Parts No.	Name	Qty.	Remarks	standard
1	2130301001	Oil tank	1		
2	2500217001	Oil suction pipe	1		
3	2500237001	Gear pump	1		
4	2500222001	O ring	1		
5	2500237005	Refill cover	1		
6	2500215002	Center valve block	1		
7	2110234001	solenoid valve	1		
8	2500235002	Overflow valve	1		
9	2500235003	Check valve	1		
10	2110234003	Contactor	1		
11	2110234002	Motor	1		

Fig.15 Driving system

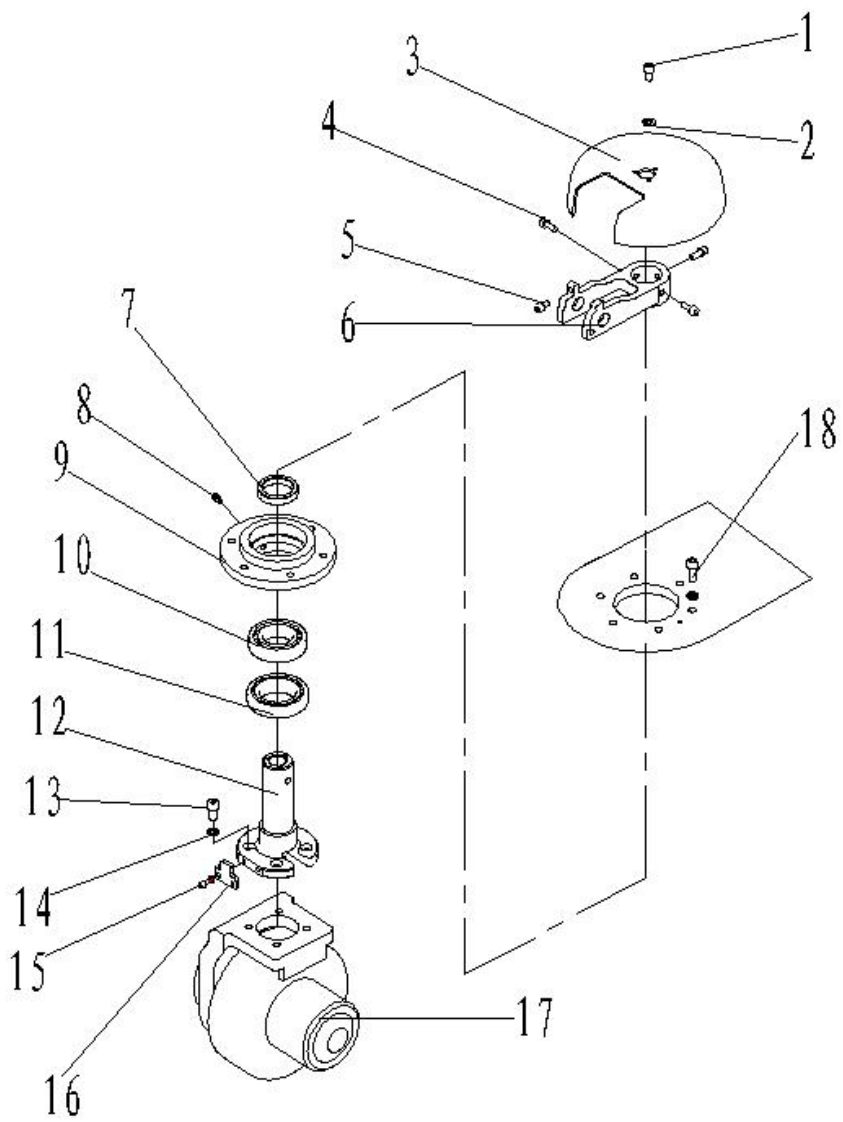


Fig.15 Driving system

No.	Parts No.	Name	Qty.	Remarks	standard
1	0000023059	Screw	3	M4x8	GB/T70.1=ISO4762
2	0000025019	Washer	3	4	GB/T95
3	9000002090	Driving wheel cover	1		
4	0000023044	Screw	3	M8x20	GB/T70.1=ISO4762
5	0000023089	Screw	1	M8x12	GB/T70.1=ISO4762
6	9000002089	Handle seat	1		
7	9000002087	Locating bushing	1		
8	0000023042	Screw	4	M6x10	GB/T70.1=ISO4762
9	9000002086	Bearing seat	1		
10	0000027048	Bearing	1	6209	GB/T276=ISO3290
11	0090000038	Bearing	1	32011	GB/T297
12	9000002085	Connecting flange	1		
13	0000023034	Screw	4	M10x20	GB/T70.1=ISO4762
14	0000023006	Standard spring washer	10	10	GB/T93
15	0000025010	Standard spring washer	4	6	GB/T93
16	9000002088	Locating block	1		
17	9000001023	Driving wheel	1		
18	0000023088	Screw	6	M10x25	GB/T70.1=ISO4762

Fig.16 Instrument components

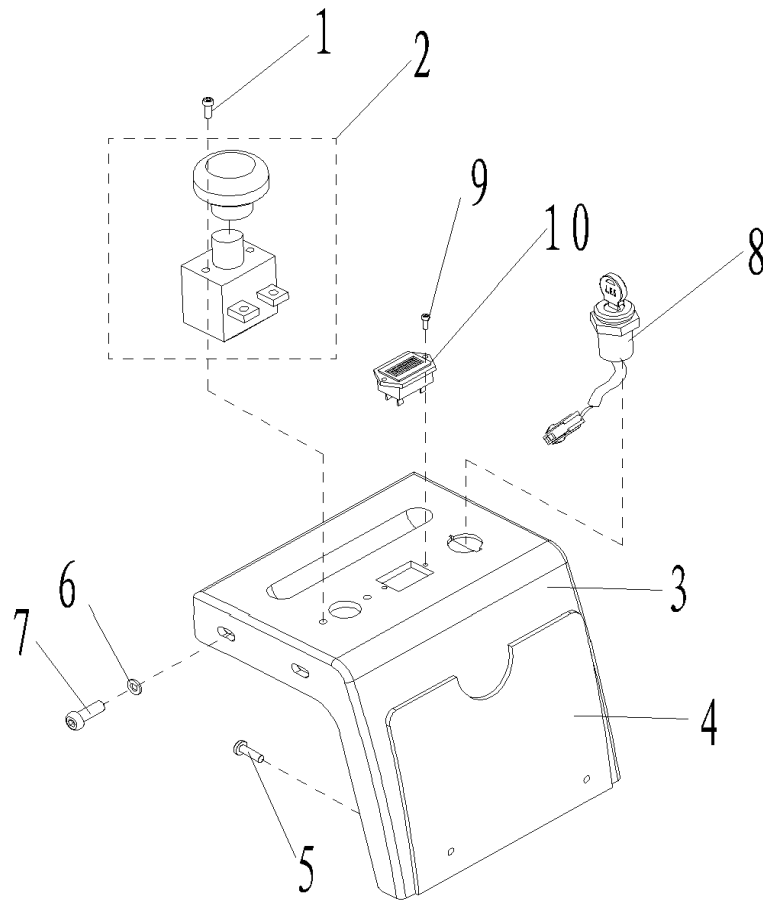


Fig.16 Instrument components

No.	Parts No.	Name	Qty.	Remarks	standard
1	0090000041	Screw	2	M5x10	GB/T70.2=ISO7380
2	2240434001	DC power switch ZDK31-250	1		
3	9000002070	Instruments board	1		
4	9000002071	Clipboard	1		
5	0000024002	Nut	4	M3	GB/T6170=ISO4032
	0000023075	Screw	4	M3x20	GB/T70.1=ISO4762
6	0000025011	Washer	4	8	GB/T95
7	0000023089	Screw	4	M8x12	GB/T70.1=ISO4762
8	1010434002	Key switch LKS-101A	1		
9	1000123003	Screw	2	M4x8	GB/T70.2=ISO7380
10	9000009801	Indicator	1		

Fig.17 T iller arm assembly

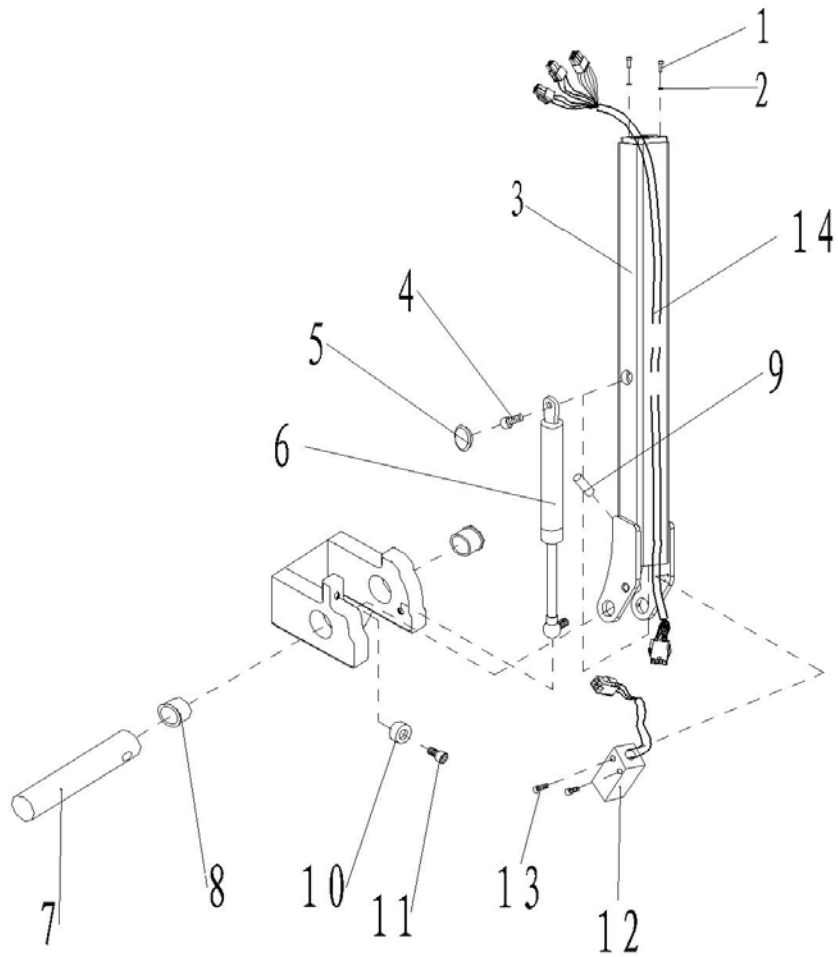
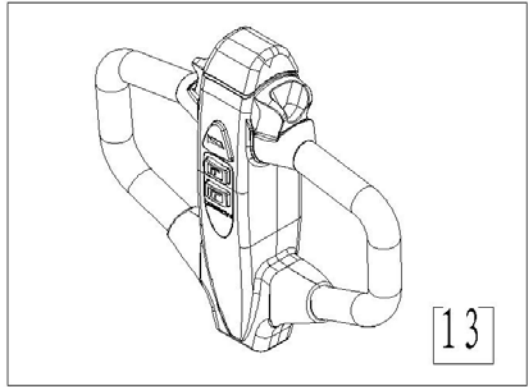


Fig.17 Tiller arm assembly

No.	Parts No.	Name	Qty.	Remarks	standard
1	0000023061	Screw	4	M8x25	GB/T70.1=ISO4762
2	0000025004	Standard spring washer	4	8	GB/T93
3	9000005940	Handle lever welding part	1		
4	1000123001	Screw	1	M8X20	
5	1030418001	Seal bushing	1		
6	9000007398	Air spring	1	F=800N	
7	9000005945	Rotating axle	1	∅ 20X78	
8	0000013002	Shoulder harness	2	20X22X12	
9	0000028163	Roll pin	1	4x35	GB/T879.1=ISO8752
10	0000025004	Standard spring washer	1	8	GB/T93
11	0000023089	Screw	1	M8X12	GB/T70.1=ISO4762
12	9000007427	Proximity switch NBN5-FT-E2	1		
13	0000023075	Screw	2	M3X20	GB/T70.1=ISO4762
14	9000002406	Handle harness	1		
13	9000001927	Handle	1		

Fig.18 Economic tiller head

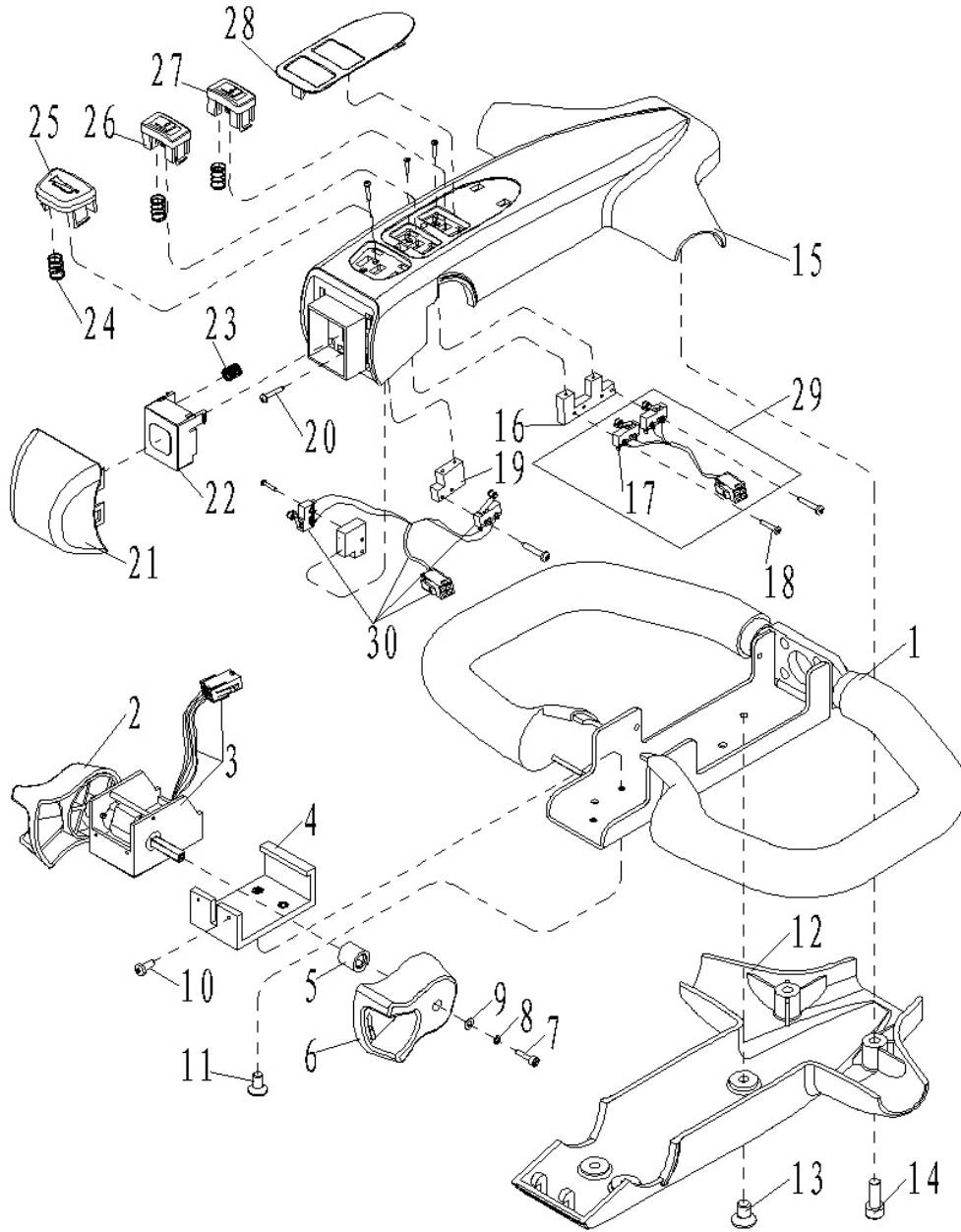


Fig.18 Economic tiller head

No.	Parts No.	Name	Qty.	Remarks	standard
1	9000002189	Tiller seat	1		
2	9000002175	Left driving switch	1	ABS	
3	9000008334	Accelerator BD-190	1		
4	9000002177	Accelerator connecting part	1	ABS	
5	9000002188	Bushing	2	ABS	
6	9000002176	Right driving switch	1	ABS	
7	0000023304	Screw	2	M3X12	GB/T70.1=ISO4762
8	0000025003	Spring washer	2	3	GB/T93
9	0000025026	Washer	2	3	GB/T95
10	0090000190	Screw	2	M3X8	GB/T6560
11	0090000189	Screw	3	M4X8	GB/T70.3=ISO10642
12	9000002179	Tiller downside cover	1		
13	0000023138	Screw	4	M6X10	GB/T70.3=ISO10642
14	0000023040	Screw	2	M6X16	GB/T70.1=ISO4762
15	9000002178	Tiller upper cover	1		
16	9000002311	Micro switch fixing large part	1		
17	9000002161	Micro switch SS-5GL2	4		
18	0090000261	Screw	14	ST2.2x13	GB/T845=ISO7049
19	9000002310	Micro switch fixing small part	2		
20	0090000262	Screw	7	ST2.2 X 9.5	GB/T845=ISO7049
21	9000002180	Belly seat	1		
22	9000002181	Belly inner seat	1		
23	9000002182	Spring 0.8	4		
24	9000002186	Spring 0.6	6		
25	9000002183	Horn button	1		
26	9000002184	Lifting button	1		
27	9000002185	Lowering button	1		
28	9000002187	Label	1		
29	9000002473	Tiller micro switch assembly 2	1		
30	9000002190	Tiller micro switch assembly 1	1		

Fig.19 Driving wheel assembly

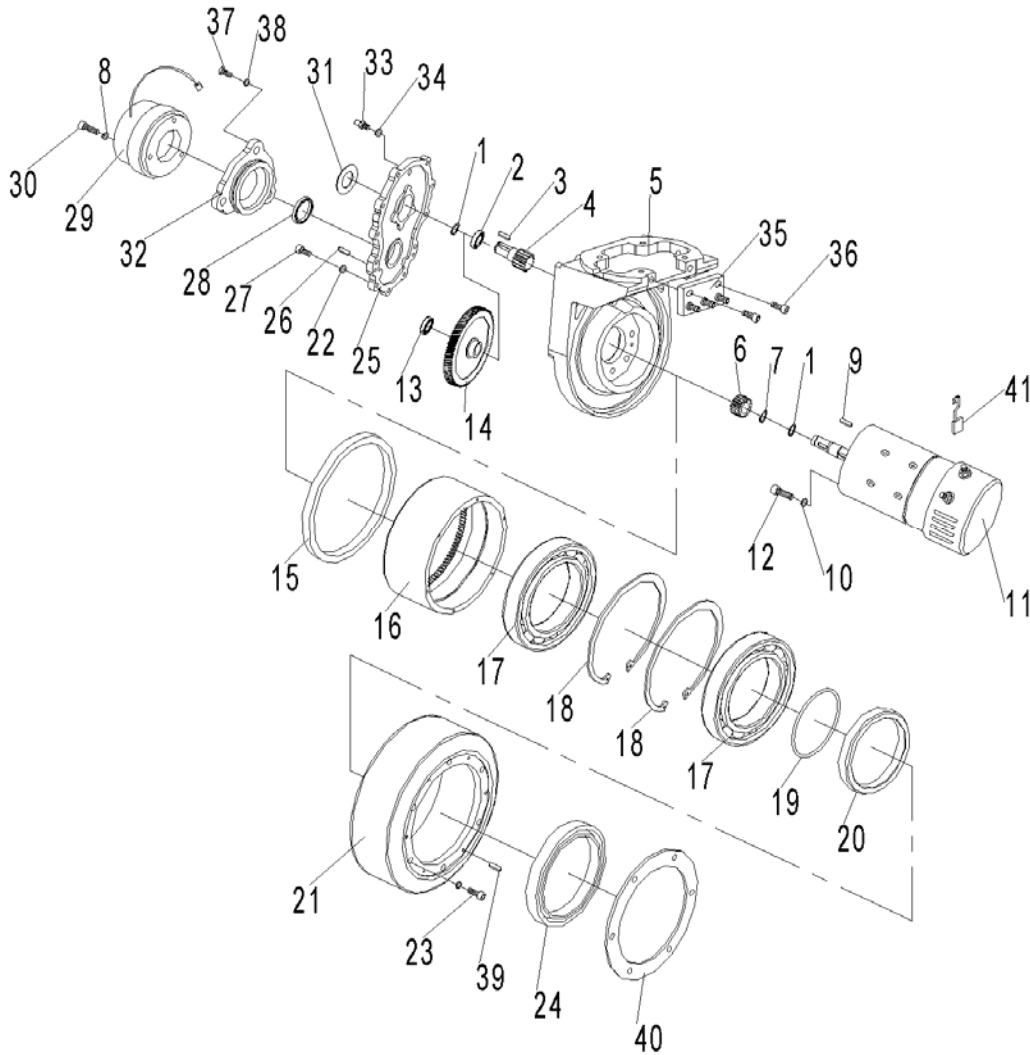


Fig.19 Driving wheel assembly

No.	Parts No.	Name	Qty.	Remarks	standard
1	0000026005	Retaining ring	2	17	GB/T894.1
2	0000027068	Bearing	1	6203	GB/T276=ISO3290
3	0000036005	Flat key	1	A5X18	GB/T1096
4	9000002136	Gear shaft	1		
5	9000002137	Gear box	1		
6	1070309001	Small gear	1		
7	0000026004	Retainer ring	1	15	GB/T894.1
8	0000025009	Spring washer	3	4	GB/T93
9	0000036002	Flat key	1	A5X15	GB/T1096
10	0000025020	Washer	5	8	

11	9000002138	Permanent magnet motor	1		
12	0000023061	Screw	5	M8X25	GB/T70.1=ISO4762
13	0000027086	Bearing	1	61905	GB/T276=ISO3290
14	1070309002	Gear wheel	1		
15	0090000178	Oil seal	1	160X174X10	GB9877
16	9000002139	Inner gear ring	1	19EL100008	
17	0090000179	Bearing	2	61824	GB/T276=ISO3290
18	0090000180	Retaining ring	2	150	GB/T894.1
19	0090000181	O ring	1	115X2.65	GB/T3452.1=ISO3601
20	9000002140	Filter seal seat	1	19EL100009	
21	9000002141	Wheel	1	19EL110000	
22	0000025006	Spring washer	11	6	GB/T93
23	0090000182	Screw	10	M5X14	GB/T70.1=ISO4762
24	9000002142	Seal ring	1	19EL100011	
25	1070302007	Gear box cover	1		
26	0000028144	Roll pin	2	B6X20	GB/T120.2=ISO8735
27	0000023063	Screw	11	M6X16	GB/T70.1=ISO4762
28	0090000183	Oil seal	1	17X28X7	GB9877
29	1070335002	Electromagnetic brake	1		
30	0000023674	Screw	3	M4X45	GB/T70.1=ISO4762
31	1070302008	Cover	1		
32	1070302009	Protective bushing	1		
33	1070123001	Vent plug	1	M10X1	
34	0000025021	Combination washer	1	10	
35	1070302010	Cable fixed plate	1		
36	0000023675	Screw	2	M5X16	GB/T70.2=ISO7380
37	0000023065	Screw	3	M5X25	GB/T70.2=ISO7380
38	0000025012	Spring washer	13	5	GB/T93
39	0090000184	Roll pin	2	5x20	GB/T119.1=ISO2338
40	0090000185	O ring	1	140x2.65	GB/T3452.1=ISO3601
41	9000002143	Carbon brush	1		

1. Gear spare parts need to offer in pairs.

Easy worn parts list

No.	Art No.	Description	Qty.	Fig./Position	Note
1	2000416003	Small wheels	2	Fig.7/1	Load wheel
2	0000027001	Bearing	4	Fig.6/11 Fig.7/4 Fig.12.1/2 Fig.12.2/2	Castor Load wheel One-stage mast hydraulic system Two-stage mast hydraulic system
3	9000002141	Driving wheel	1	Fig.19/21	Driving wheel assembly
4	9000002143	Carbon brush	4	Fig.19/41	Driving wheel assembly
5	2040634001	Micro-switch	1	Fig.11/1	Electric parts and components
6	9000007398	Air spring	1	Fig.17/6	Tiller arm assembly
7	2000322002	Support ring for shaft	1	Fig.13/2	Cylinder assembly
8	0000022014	O seal ring	2	Fig.13/8	Cylinder assembly
9	0000022013	O seal ring	1	Fig.13/7	Cylinder assembly
10	2000322003	Support ring for hole	1	Fig.13/6	Cylinder assembly
11	2010322001	Y seal ring	1	Fig.13/5	Cylinder assembly
12	0000022011	O seal ring	3	Fig.12.1/12 Fig.12.2/11	One-stage mast hydraulic system Two-stage mast hydraulic system
13	1000434008	Fuse	1	Fig.9/8	Electronic control board assembly
14	1000434020	Fuse	1	Fig.9/25	Electronic control board assembly
15	1000434040	Fuse seat	1	Fig.9/16	Electronic control board assembly

16	9000002324	Fuse tube	1	Fig.11/22	Electric parts and components
17	9000002192	LED fault display assembly	1	Fig.11/21	Electric parts and components
18	9000002322	Relay	1	Fig.9/24	Electronic control board assembly
19	9000002190	Tiller micro-switch assembly 1	1	Fig.18/30	Economic tiller head
20	9000002473	Tiller micro-switch assembly 2	1	Fig.18/29	Economic tiller head
21	9000007427	Proximity switch	2	Fig.17/12	Tiller arm assembly
22	9000008334	Accelerator	1	Fig.18/3	Economic tiller head