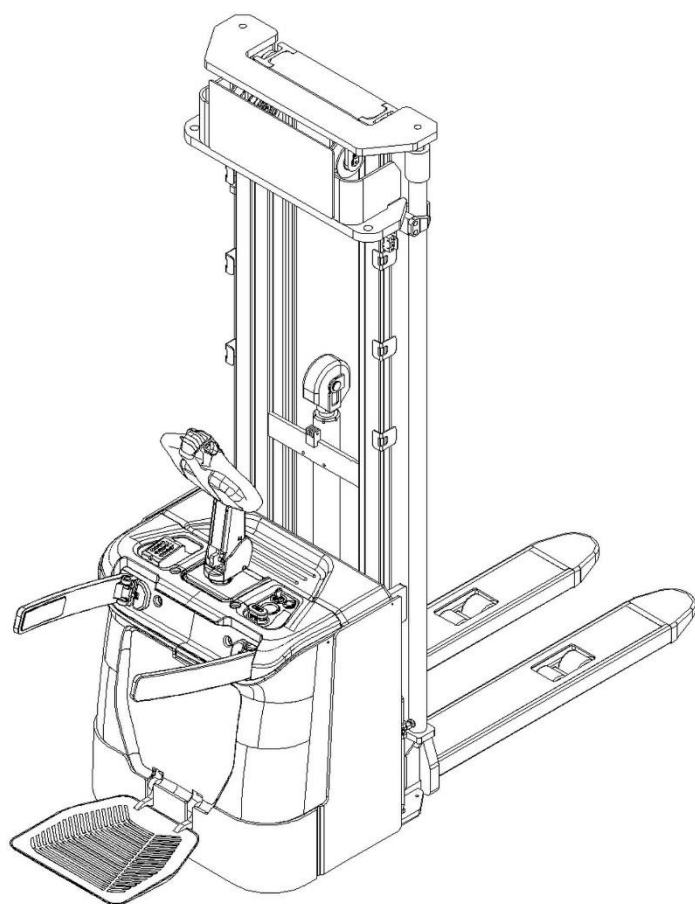


# NOBLELIFT

## SPAREPARTS LIST

### Electric Stacker PS 20N



Version 05/2018

From truck identification number:

PS 20N-BPT-001-EN

# Catalogue

Fig. 1 Label (For EU).....	1
Fig. 2 Fork carriage .....	2
Fig. 3 Chassis.....	3
Fig. 4 Chassis (sideways) .....	6
Fig. 5 Power supply.....	9
Fig. 6 Protective arm components .....	10
Fig. 7 Panel components.....	12
Fig. 8 Battery cover components .....	14
Fig. 9 Platform components .....	15
Fig. 10 Roller components .....	17
Fig. 11 Full free lifting three-stage mast.....	18
Fig. 12 Standard lifting three-stage mast .....	19
Fig. 13 Full free lifting two-stage mast .....	20
Fig. 14 Standard lifting two-stage mast.....	21
Fig. 15 Full free lifting three-stage mast.....	22
Fig. 16 Chain of standard lifting three-stage mast .....	24
Fig. 17 Chain of full free lifting two-stage mast.....	25
Fig. 18 Chain of standard lifting two-stage mast.....	27
Fig. 19 Other parts of mast.....	28
Fig. 20 Full free lifting three-stage mast hydraulic system.....	30
Fig. 21 Standard lifting three-stage mast hydraulic system .....	32
Fig. 22 Full free lifting two-stage mast hydraulic system .....	34
Fig. 23 Standard lifting two-stage mast hydraulic system.....	36
Fig. 24 Full free lifting three-stage mast external cylinder components .....	38
Fig. 25 Full free lifting three-stage mast middle cylinder components.....	40
Fig. 26 Standard lifting three-stage mast external cylinder components .....	42
Fig. 27 Full free lifting two-stage mast external cylinder components .....	44
Fig. 28 Full free lifting two-stage mast middle cylinder components .....	46
Fig. 29 Standard lifting two-stage mast external cylinder components.....	48
Fig. 30 EPS components.....	50
Fig. 31 Driving assembly (EPS) .....	52
Fig. 32 Load roller assembly .....	54
Fig. 33 Tiller assembly.....	55
Fig. 34 Pump assembly.....	57

Fig. 35 Hydraulic power unit.....58

Fig. 36 Main circuit wiring harness (EPS) .....59

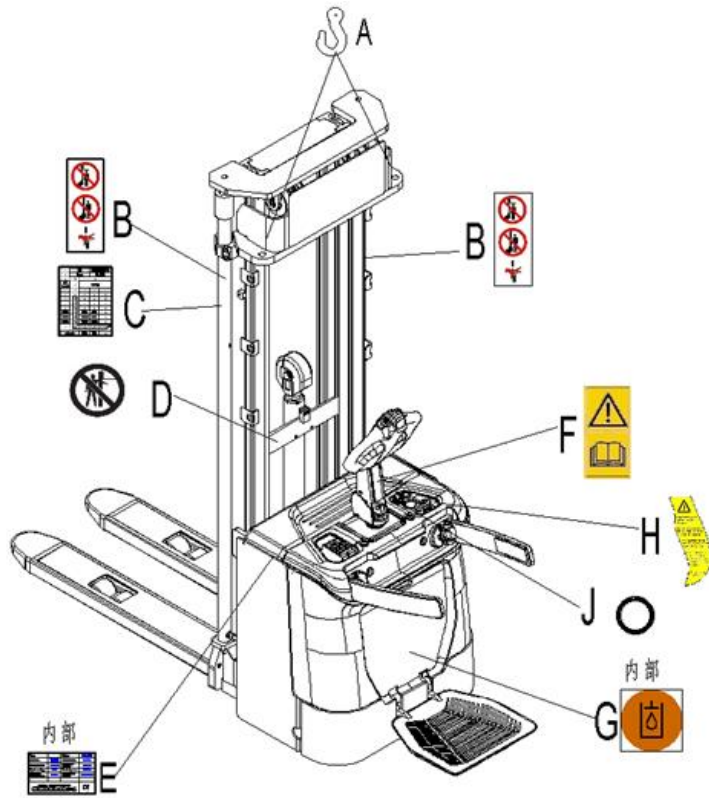
Fig. 37 Electrical parts.....60

Fig. 38 Electrical control components (COMBIACX+EPSPDC0).....62

Fig. 39 Load backrest.....64

Easy worn parts list .....65

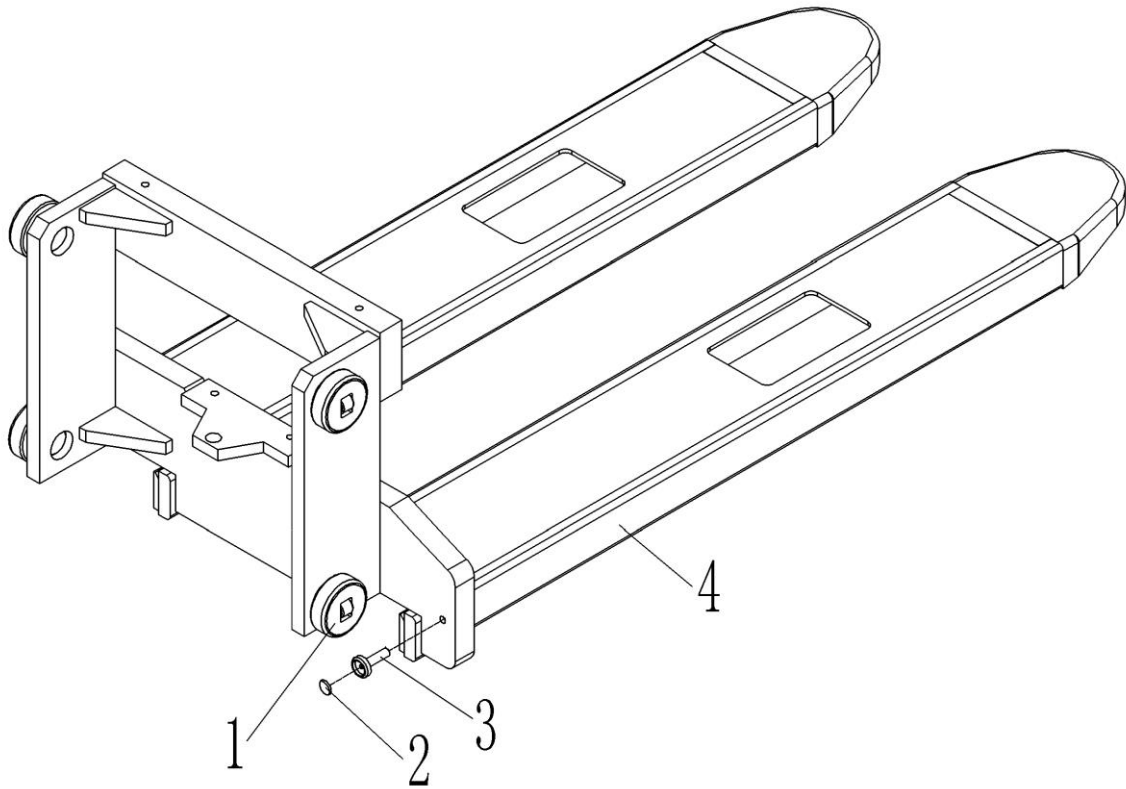
**Fig. 1 Label (For EU)**



**Fig.1 Label (For EU)**

No.	Art No.	Description	Qty.	Note
A	941200300001	Crane hook label	2	
B	941200100004	Warning decal: Do not step under or on the forks	2	
C	536247520000	Residual lift capacity sticker	1	
D	941200100006	Never reach through	1	
E	536247520001	CE label	1	
F	941200300002	Sticker to read and follow these instructions	1	
G	941200300003	Filling sticker	1	
H	941200300018	Warning sticker	1	
J	941200400013	Indicating sticker	1	

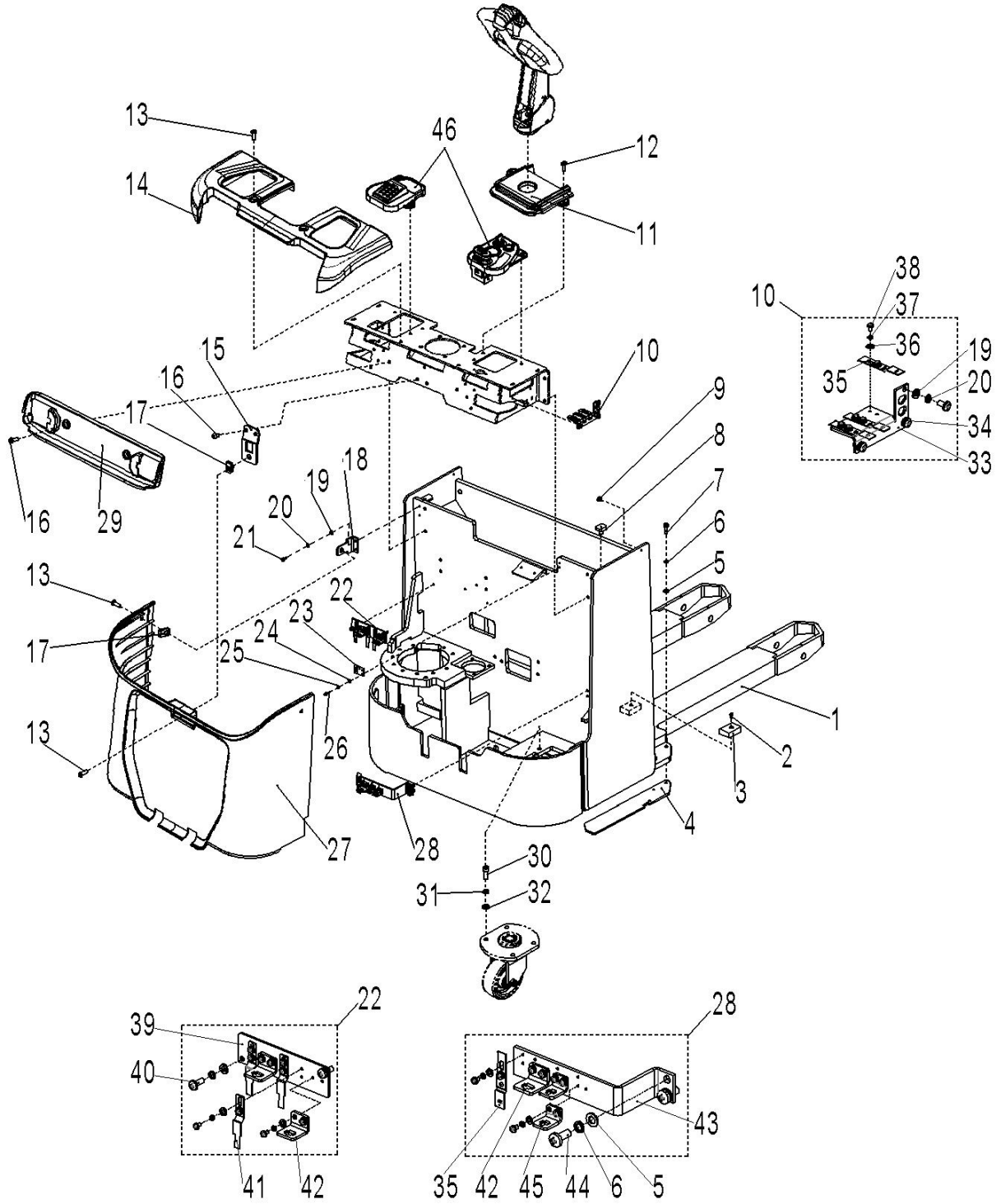
**Fig. 2 Fork carriage**



**Fig. 2 Fork Carriage**

No.	Art No.	Description	Qty.	Note
1	940200300020	Compound roller	4	
2	940600100001	Magnetic steel	1	
3	940600200001	Magnetic steel base	1	
4	535038010000	Fork carriage welding (570x1150)	1	Two-stage mast
	535038010001	Fork carriage welding (685x1150)	1	Two-stage mast
	535038010002	Fork carriage welding (570x1150)	1	Three-stage mast
	535038010003	Fork carriage welding (685x1150)	1	Three-stage mast

Fig. 3 Chassis



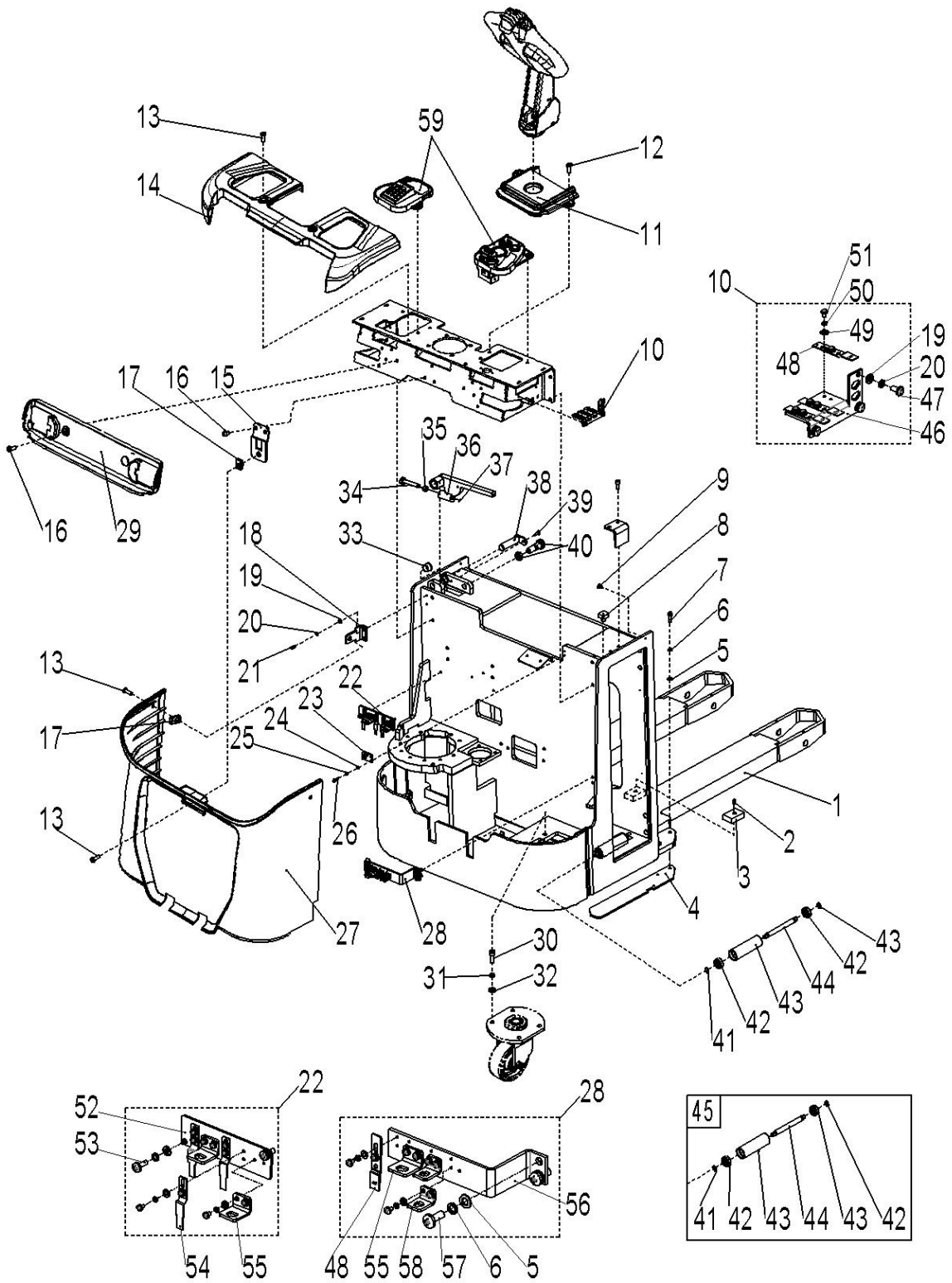
**Fig. 3 Chassis**

No.	Art No.	Description	Qty.	Note
1	536221510000	Chassis welding (570x1150)	1	EPS
	536221510001	Chassis welding (685x1150)	1	EPS
2	910200300017	Screw	2	M6x12
3	534721520024	Damping pad	2	
4	535921520030	Protective plate	1	
5	910400100006	Flat washer	5	8
6	910400500006	Spring washer	5	8
7	910200200058	Screw	3	M8x25
8	505938520016	Damping pad	2	
9	534721520023	Sleeve	2	
10	535921501003	Mounting plate components	1	
11	535921520042	Protective cover	1	
12	910200200074	Screw	2	M10x16
13	941100100004	Screw	5	M10x30
14	535921520040	Protective cover	1	
15	535921520032	Mounting plate	1	
16	941100100005	Screw	4	M10x15
17	940400400003	Nut	3	M10
18	535921520031	Mounting plate	2	
19	910400100005	Flat washer	13	6
20	910400500005	Spring washer	13	6
21	910200200035	Screw	8	M6x16
22	535921501002	Mounting plate components	1	
23	535921520029	Mounting plate	1	
24	910400100004	Flat washer	2	5
25	910400500004	Spring washer	2	5
26	910200200023	Screw	2	M5x16
27	535921520039	Protective cover	1	
28	535921501001	Mounting plate components	1	
29	535921520041	Protective cover	1	
30	910200200099	Screw	4	M12x35
31	910400500008	Spring washer	4	12
32	910400100008	Flat washer	4	12
33	535921520028	Mounting plate	1	
34	910200500051	Screw	3	M6x12
35	921300300005	Plug base, 2 pins	5	
36	910400100003	Flat washer	24	4
37	910400500003	Spring washer	24	4

38	910200500020	Screw	24	M4x6
39	535921520027	Mounting plate	1	
40	910200500052	Screw	2	M6x16
41	921300300010	Plug base	3	
42	921300300003	Plug fixing frame, 4 pins	3	
43	535921520026	Mounting plate	1	
44	910200500063	Screw	2	M8x20
45	921300300002	Plug fixing frame, 2 pins	2	
46	535910001002	Panel components	1	with pin-code panel
	535910001003	Panel components		without pin-code panel



**Fig. 4 Chassis (sideways)**

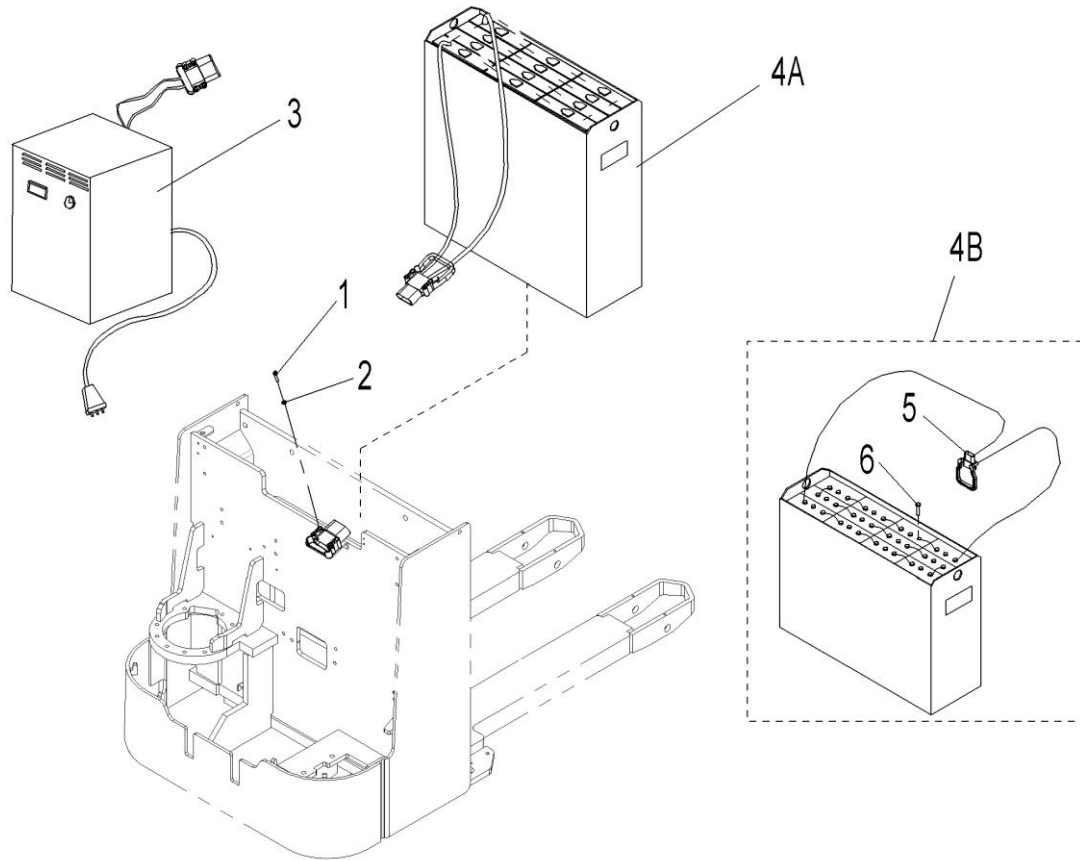


**Fig.4 Chassis (sideways)**

No.	Art No.	Description	Qty.	Note
1	536221510002	Chassis welding (570x1150)	1	EPS
	536221510003	Chassis welding (685x1150)	1	EPS
2	910200300017	Screw	2	M6x12
3	534721520024	Damping pad	2	
4	535921520030	Protective plate	1	
5	910400100006	Flat washer	3	8
6	910400500006	Spring washer	3	8
7	910200200058	Screw	3	M8x25
8	505938520016	Damping pad	2	
9	534721520023	Sleeve	2	
10	535921501003	Mounting plate components	1	
11	535921520042	Protective cover	1	
12	910200200074	Screw	2	M10x16
13	941100100004	Screw	5	M10x30
14	535921520040	Protective cover	1	
15	535921520032	Mounting plate	1	
16	941100100005	Screw	4	M10x15
17	940400400003	Nut	3	M10
18	535921520031	Mounting plate	2	
19	910400100005	Flat washer	8	6
20	910400500005	Spring washer	8	6
21	910200200035	Screw	8	M6x16
22	535921501002	Mounting plate components	1	
23	535921520029	Mounting plate	1	
24	910400100004	Flat washer	2	5
25	910400500004	Spring washer	2	5
26	910200200023	Screw	2	M5x16
27	535921520039	Protective cover	1	
28	535921501001	Mounting plate components	1	
29	535921520041	Protective cover	1	
30	910200200099	Screw	4	M12x35
31	910400500008	Spring washer	4	12
32	910400100008	Flat washer	4	12
33	940500200008	Bushing	2	
34	535921520037	Short axle	1	
35	535921520038	Spacer bushing	1	
36	535921510003	Baffle welding	1	
37	910401300002	Elastic ring	1	10
38	535921510004	Plate with axle	1	
39	910200400017	Screw	1	M6x16
40	940800900002	Pin	1	With nut
41	910401300006	Elastic ring	12	15

42	910700200017	Bearing	12	6202
43	534721520028	Tube	6	
44	534721520029	Axle	6	
45	534721510003	Tube components	6	
46	535921520028	Mounting plate	1	
47	910200500051	Screw	3	M6x12
48	921300300005	Plug base, 2 pins	5	
49	910400100003	Flat washer	24	4
50	910400500003	Spring washer	24	4
51	910200500020	Screw	24	M4x6
52	535921520027	Mounting plate	1	
53	910200500052	Screw	2	M6x16
54	921300300010	Plug base	3	
55	921300300003	Plug fixing frame, 4 pins	3	
56	535921520026	Mounting plate	1	
57	910200500063	Screw	2	M8x20
58	921300300002	Plug fixing frame, 2 pins	2	
59	535910001002	Panel components	1	with pin-code panel
	535910001003	Panel components		without pin-code panel

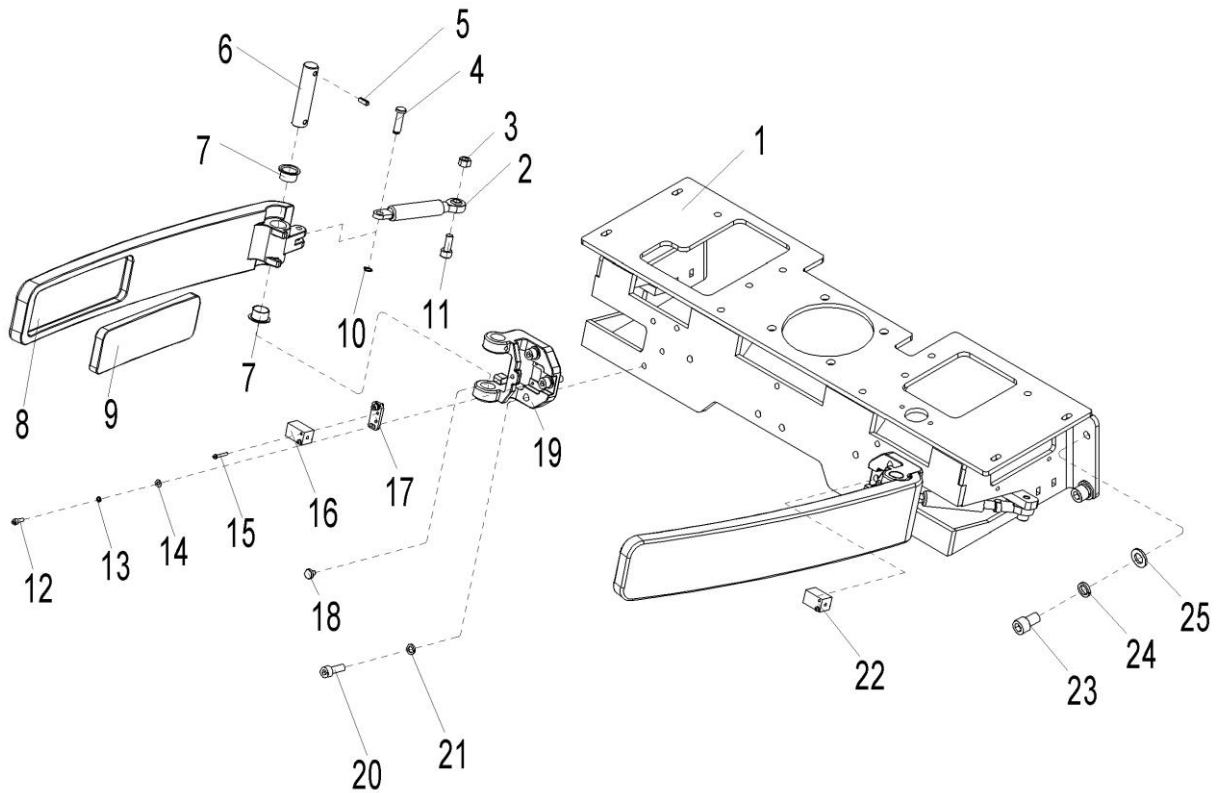
**Fig. 5 Power supply**



**Fig. 5 Power supply**

No.	Art No.	Description	Qty.	Note
1	910200200039	Screw	2	M6x30
2	910400100005	Flat washer	2	6
3	921000200019	Charger, SN24V45A	1	Asia Chinese
	921000200020	Charger, SN24V45A	1	Asia English
	921000200021	Charger, SN24V45A	1	EU
	921000200022	Charger, SN24V45A	1	AUS
	921000200023	Charger, SN24V45A	1	ENG
	921000200024	Charger, SN24V45A	1	US
4	532637010002	Battery, 24V350Ah	1	Weld type
5	532637010003	Battery, 24V350Ah	1	Bolt type
6	920400100007	Plug components	1	Only for bolt type battery
7	505698520000	Screw M10X22	24	

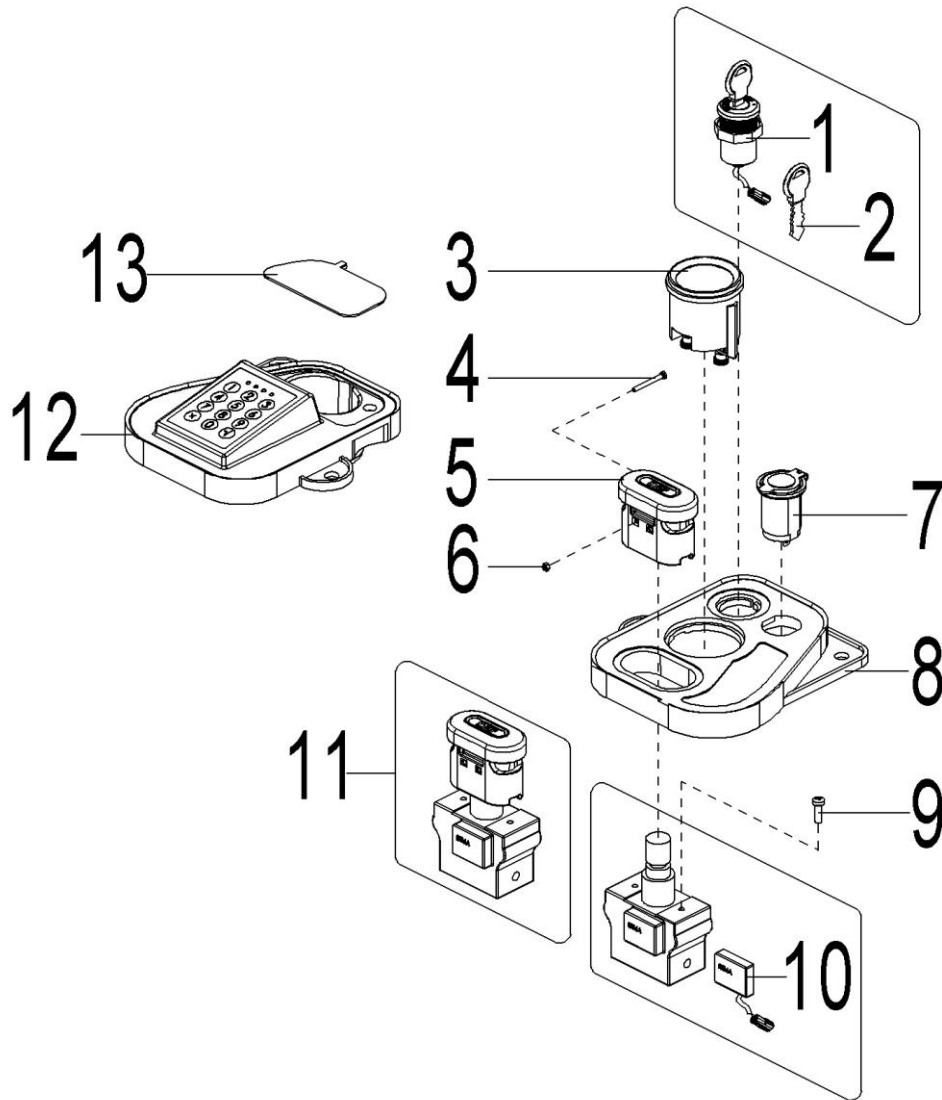
**Fig. 6 Protective arm components**



**Fig. 6 Protective arm components**

No.	Art No.	Description	Qty.	Note
1	535917510000	Protective arm mounting base welding	1	
2	940400100037	Air spring	2	250N
3	910300100006	Nut	2	M8
4	535917520010	Axle	2	
5	910600400025	Dowel pin	2	5x30
6	535917520007	Axle	2	
7	940500200003	Bushing	2	
8	535917520008	Protective arm	2	
9	535917520009	Protective pad	2	
10	910401300001	Elastic ring	2	8
11	910200200060	Screw	2	M8x35
12	910200200014	Screw	4	M4x12
13	910400500003	Spring washer	4	4
14	910400100003	Flat washer	4	4
15	910200500015	Screw	4	M3x20
16	505633510002	Proximity switch	1	800mm
17	535917520011	Mounting plate	2	
18	535917520012	Protective pad	2	
19	535917520006	Mounting base	2	
20	910200200058	Screw	6	M8x25
21	910400500006	Spring washer	6	8
22	535933510000	Proximity switch	1	420mm
23	910200200096	Screw	4	M12x20
24	910400500008	Spring washer	4	12
25	910400100008	Flat washer	4	12

Fig. 7 Panel components

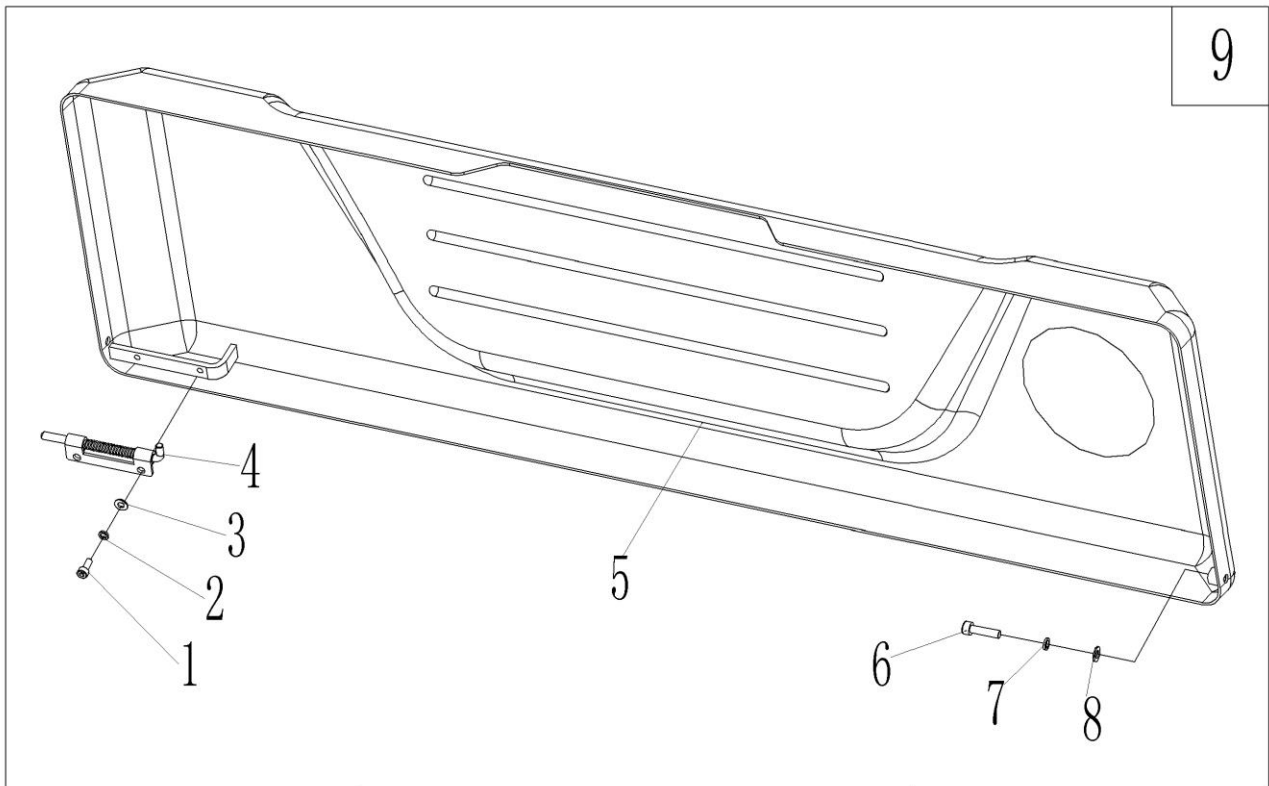


**Fig. 7 Panel Components**

No.	Art No.	Description	Qty.	Note
1	505634010000	Key switch	1	LKS-101A
	506734010000	Power button switch		
2	920200200001	Key switch	1	Only for LKS-101A key switch
3	921100100012	Panel	1	MDI-CAN-12V
4	910200500017	Screw	2	M3x30
5	920200100006	Mounting base	1	
6	910300100002	Nut	2	M3
7	206033010036	USB port	1	
8	535910020001	Panel (Right)	1	
9	910200500040	Screw	2	M5x16
10	920200100011	Micro switch	1	
11	920200100007	Emergency button	1	ZDK32-350-1
12	506733510008	Panel plate (Left)	1	with pin-code panel
	535910020002	Panel plate (Left)		
13	535910020003	Sealing plate	1	



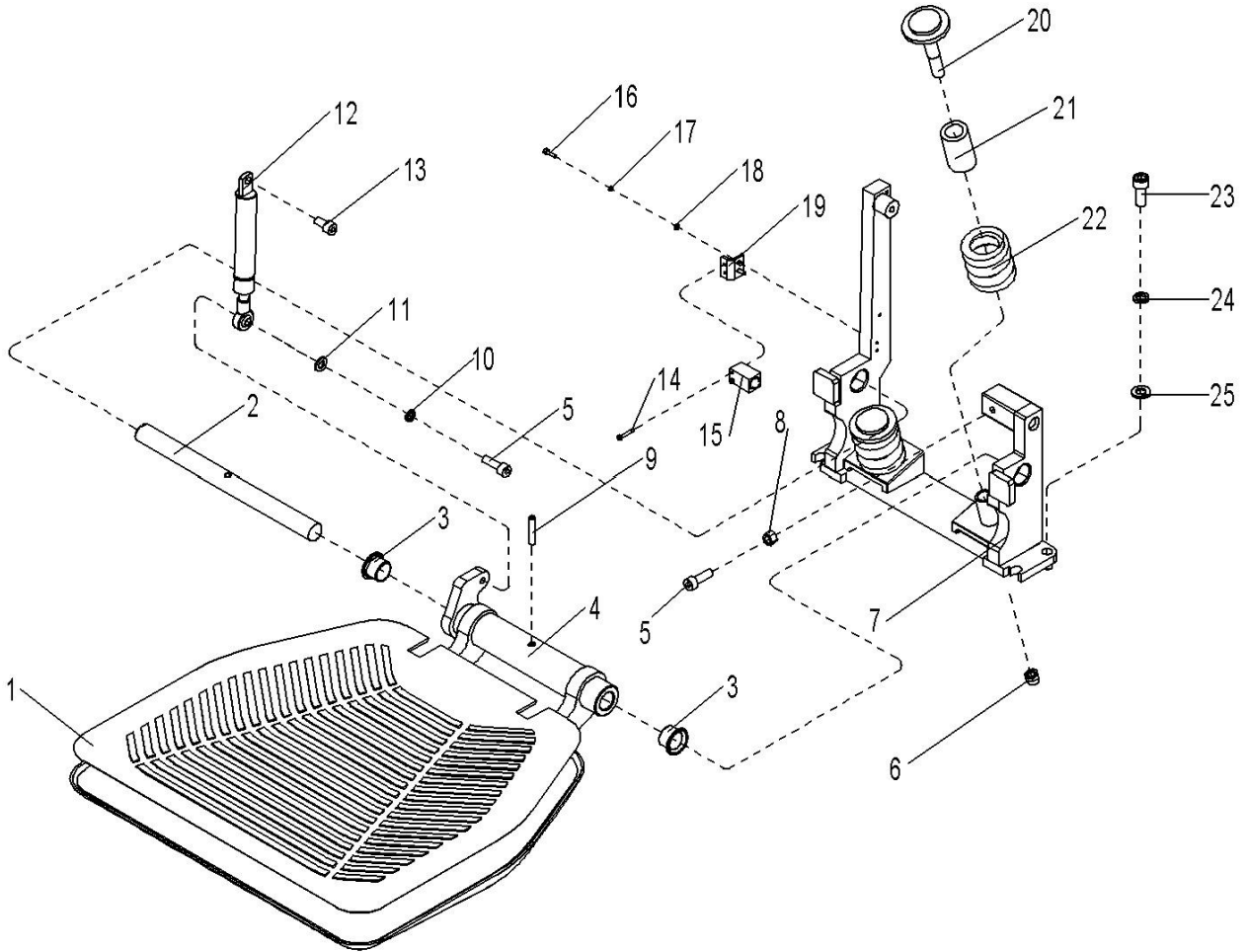
**Fig. 8 Battery cover components**



**Fig. 8 Battery Cover Components**

No.	Art No.	Description	Qty.	Note
1	910200200013	Screw	2	M4x10
2	910400500003	Spring washer	2	4
3	910400100003	Flat washer	2	4
4	940800900001	Pin	1	
5	536221010001	Battery cover welding	1	
6	910200200024	Screw	1	M5x20
7	910400500004	Spring washer	1	5
8	910400100004	Flat washer	1	5
9	536221001001	Battery cover assembly	1	

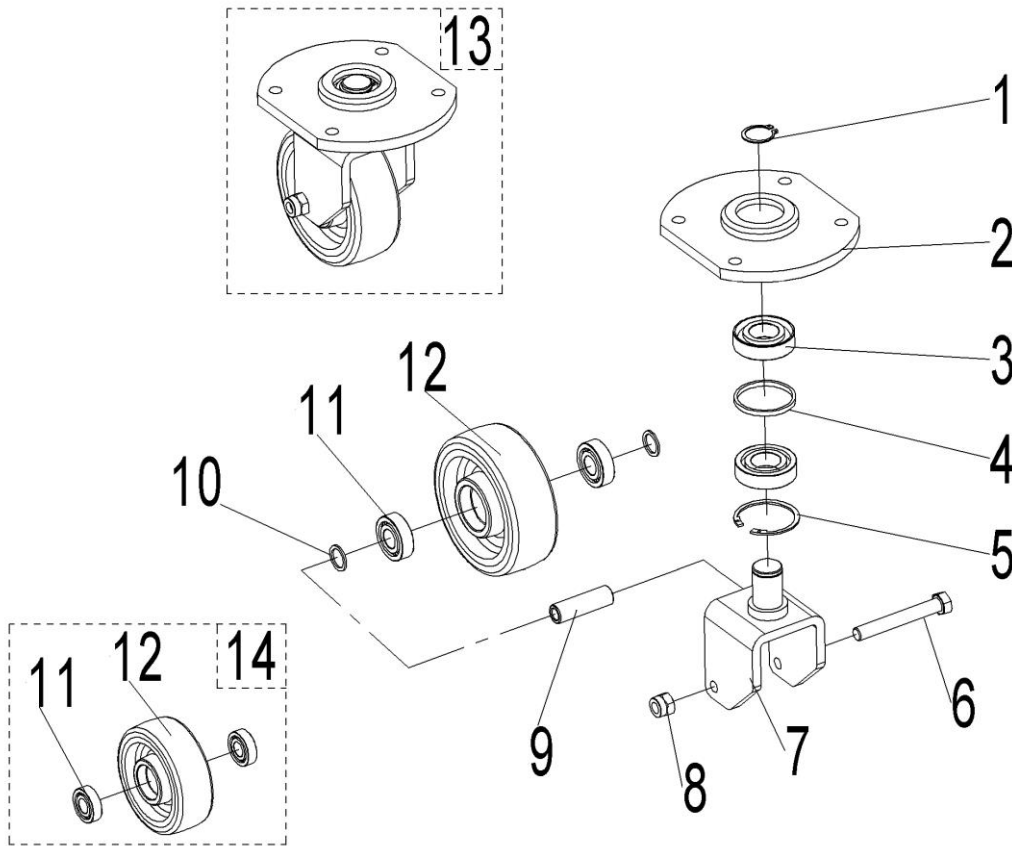
**Fig. 9 Platform components**



**Fig. 9 Platform Components**

No.	Art No.	Description	Qty.	Note
1	535918020019	Platform pad	1	
2	535918020014	Axle	1	
3	940500200008	Bushing	2	
4	535918010001	Platform welding	1	
5	910200200058	Screw	2	M8x25
6	910300500006	Nut	2	M12
7	535918010000	Mounting base welding	1	
8	910300100007	Nut	1	M10
9	910600400040	Dowel pin	1	6x35
10	910400500006	Spring washer	1	8
11	910400100006	Flat washer	1	8
12	940400100038	Air spring	1	800N
13	910200200057	Screw	1	M8x20
14	910200500015	Screw	2	M3x20
15	505633510002	Proximity switch	1	800mm
16	910200200003	Screw	2	M3x12
17	910400500002	Spring washer	2	3
18	910400100002	Flat washer	2	3
19	535918020015	Mounting plate	1	
20	535918020017	Bolt	2	M12x72
21	535918020018	PU bushing	2	
22	535918020016	Spring	2	
23	910200200076	Screw	2	M10x25
24	910400500007	Spring washer	2	10
25	910400100007	Flat washer	2	10

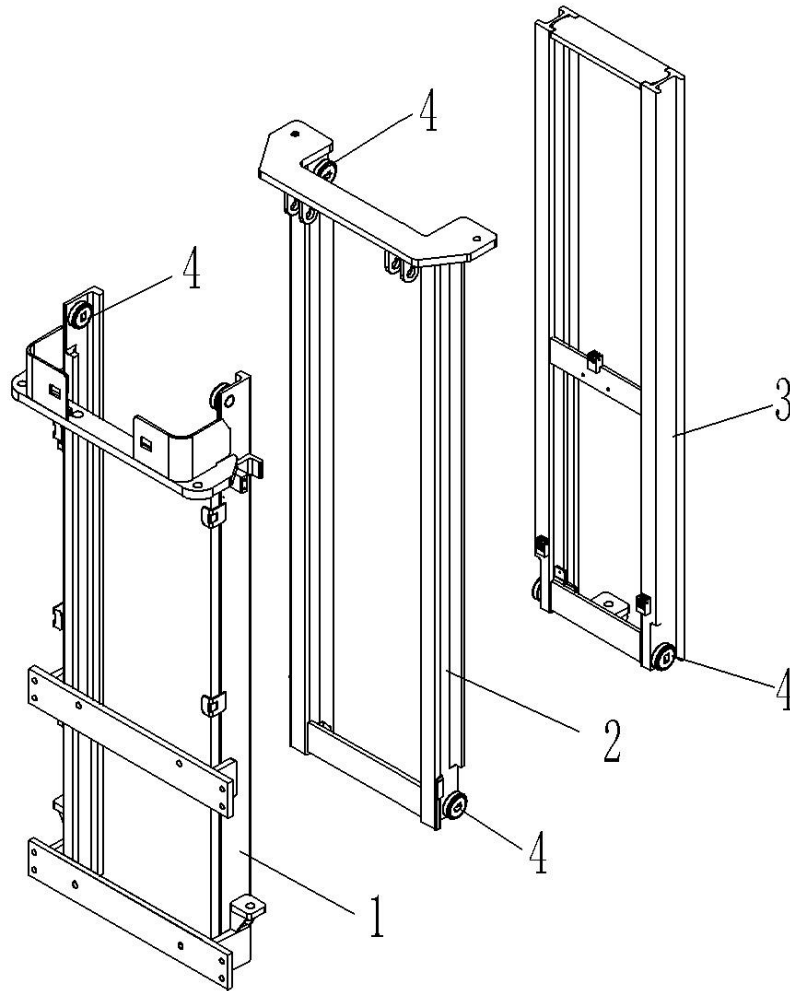
**Fig. 10 Roller components**



**Fig. 10 Roller Components**

No.	Art No.	Description	Qty.	Note
1	910401300016	Elastic ring	1	30
2	534716510000	Bearing base welding	1	
3	910700400004	Bearing	2	7206C
4	532616520001	Ring	1	
5	910401400018	Elastic ring	1	62
6	910100100069	Bolt	1	M14x100
7	534716510001	Rear roller frame welding	1	
8	910300500007	Nut	1	M14
9	532616520003	Sleeve	1	
10	940600500014	Washer	2	
11	910700200019	Bearing	2	6204
12	940300300020	Roller	1	
13	534716510002	Roller assembly	1	
14	533298510003	Roller set	1	

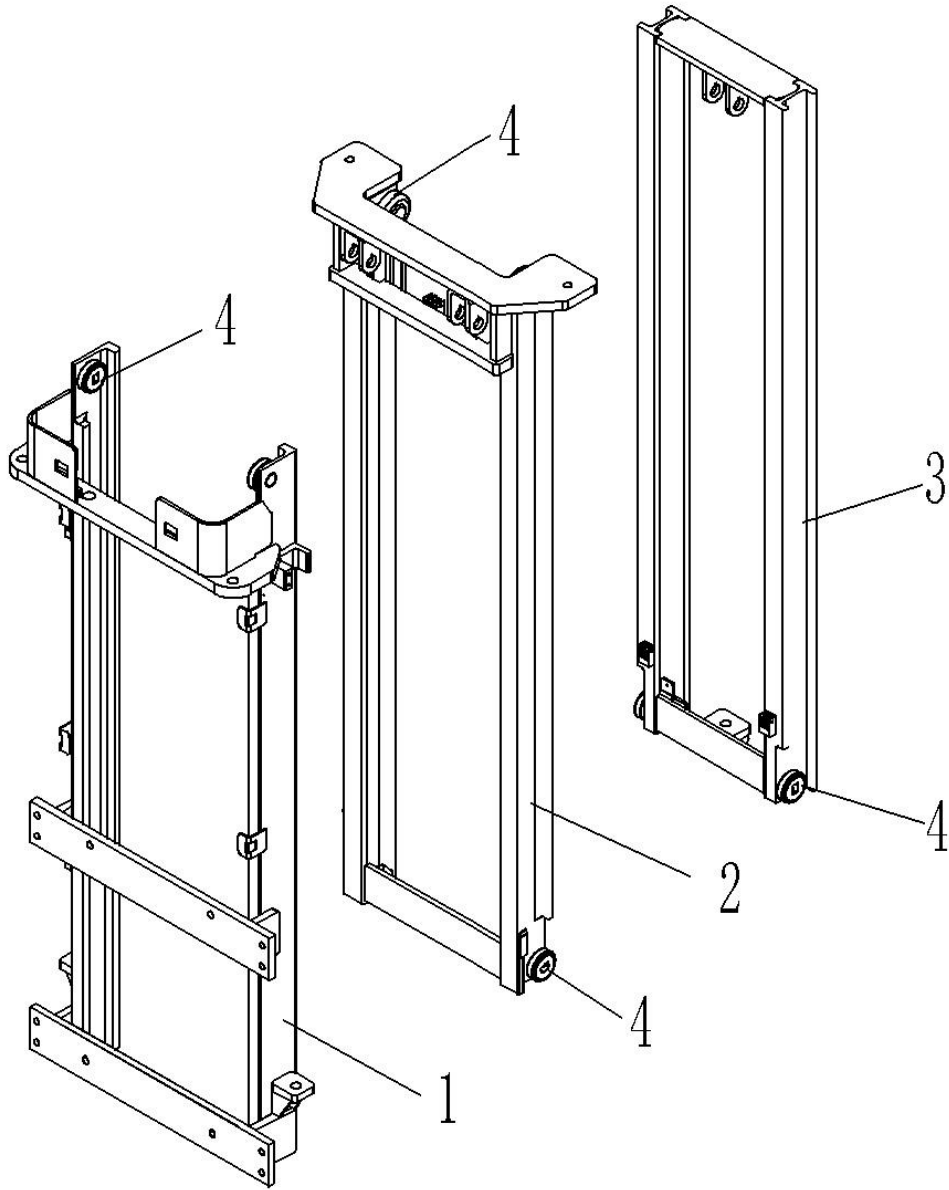
**Fig. 11 Full free lifting three-stage mast**



**Fig. 11 Full Free Lifting Three-stage Mast**

No.	Art No.	Description	Qty.	Note
1	535044510032	External mast	1	4600
	535044510033	External mast	1	4300
	535044510034	External mast	1	4000
2	535044510024	Middle mast	1	4600
	535044510025	Middle mast	1	4300
	535044510026	Middle mast	1	4000
3	535044510027	Inner mast	1	4600
	535044510028	Inner mast	1	4300
	535044510029	Inner mast	1	4000
4	940200300020	Compound roller	8	

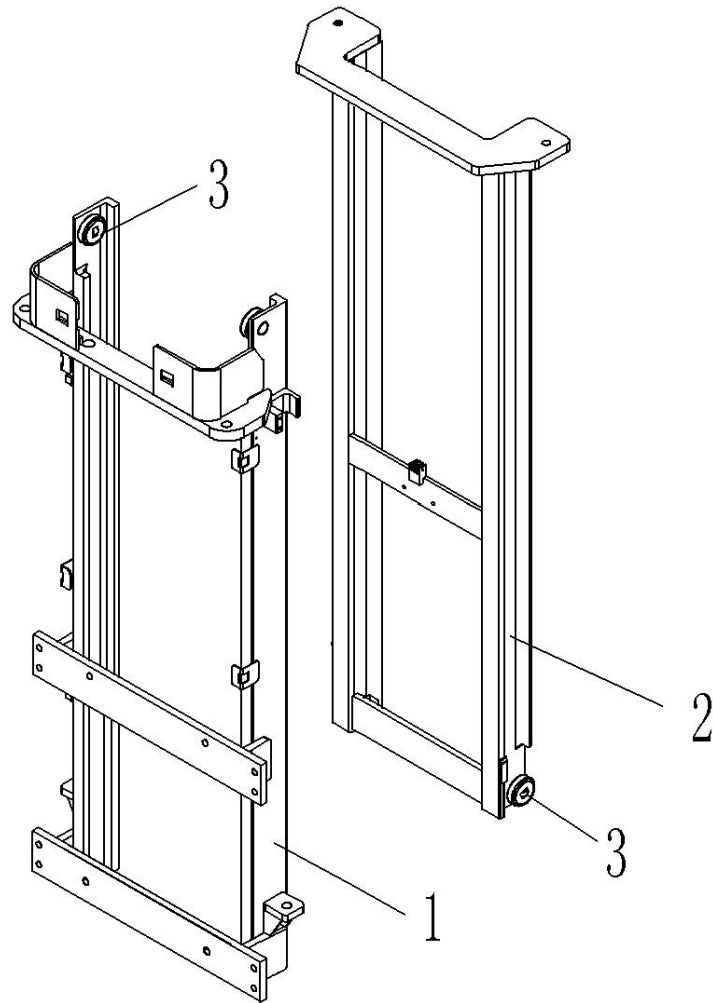
**Fig. 12 Standard lifting three-stage mast**



**Fig. 12 Standard Lifting Three-stage Mast**

No.	Art No.	Description	Qty.	Note
1	535045010019	External mast	1	4600
	535045010020	External mast	1	4300
2	535045010015	Middle mast	1	4600
	535045010016	Middle mast	1	4300
3	535045010017	Inner mast	1	4600
	535045010018	Inner mast	1	4300
4	940200300020	Compound roller	8	

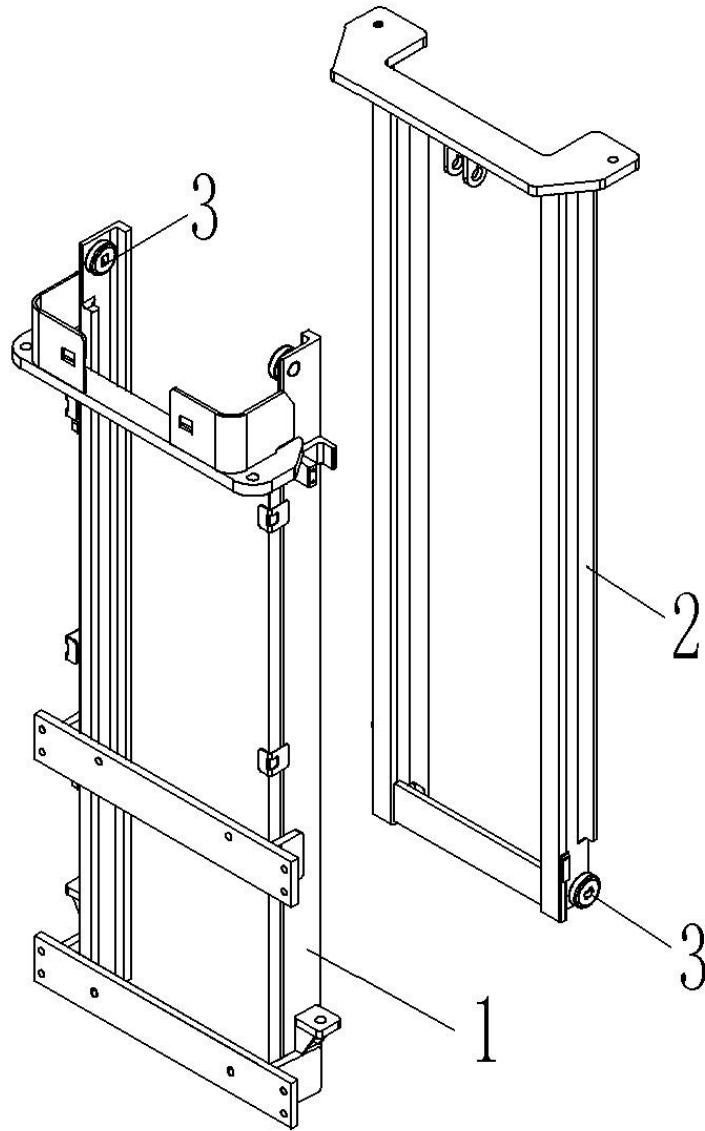
**Fig. 13 Full free lifting two-stage mast**



**Fig. 13 Full Free Lifting Two-stage Mast**

No.	Art No.	Description	Qty.	Note
1	535043510037	External mast	1	3600
	535043510038	External mast	1	3200
	535043510036	External mast	1	2900
	535043510039	External mast	1	2700
2	535043510030	Inner mast	1	3600
	535043510031	Inner mast	1	3200
	535043510032	Inner mast	1	2900
	535043510033	Inner mast	1	2700
3	940200300020	Compound roller	4	

**Fig. 14 Standard lifting two-stage mast**

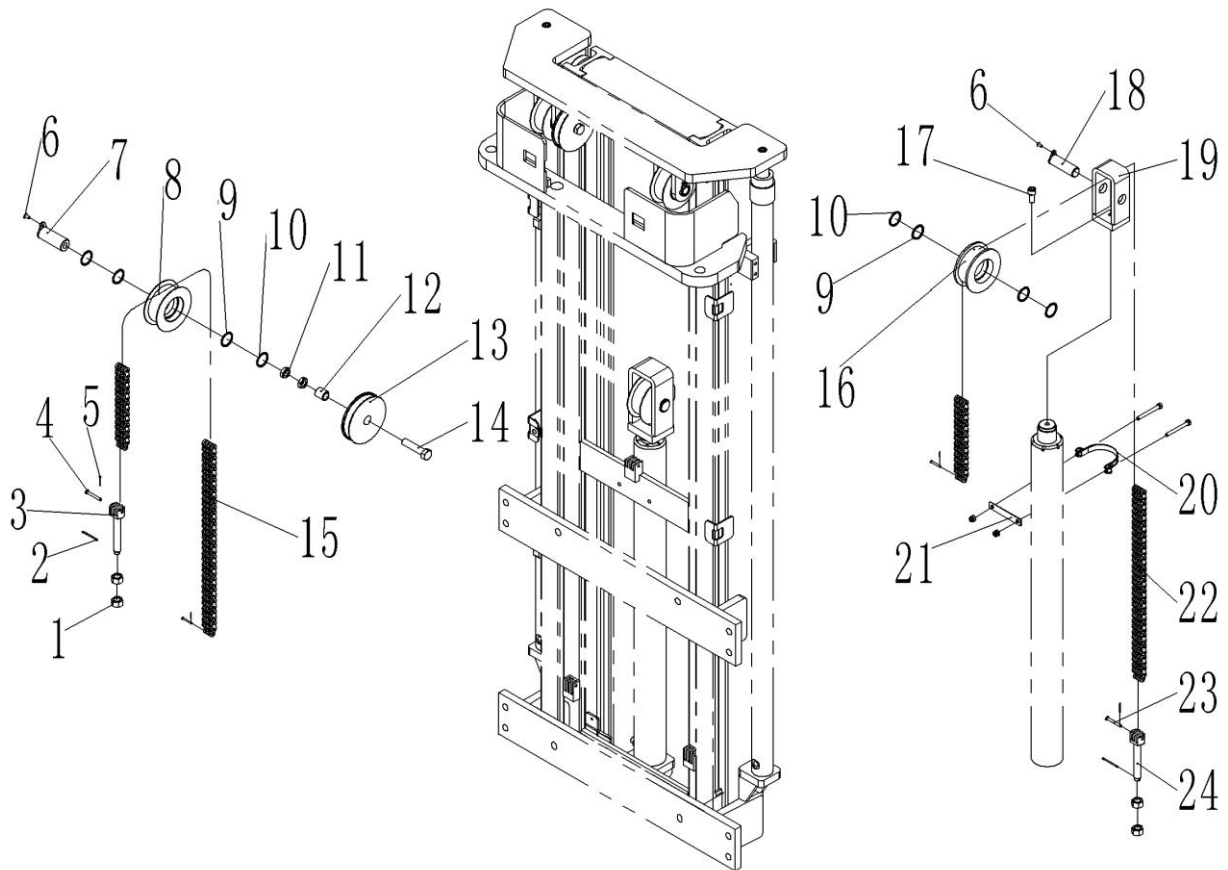


**Fig. 14 Standard Lifting Two-stage Mast**

No.	Art No.	Description	Qty.	Note
1	535044010018	External mast	1	3600
	535044010019	External mast	1	3200
	535044010020	External mast	1	2900
2	535044010015	Inner mast	1	3600
	535044010016	Inner mast	1	3200
	535044010017	Inner mast	1	2900
3	940200300020	Compound roller	4	



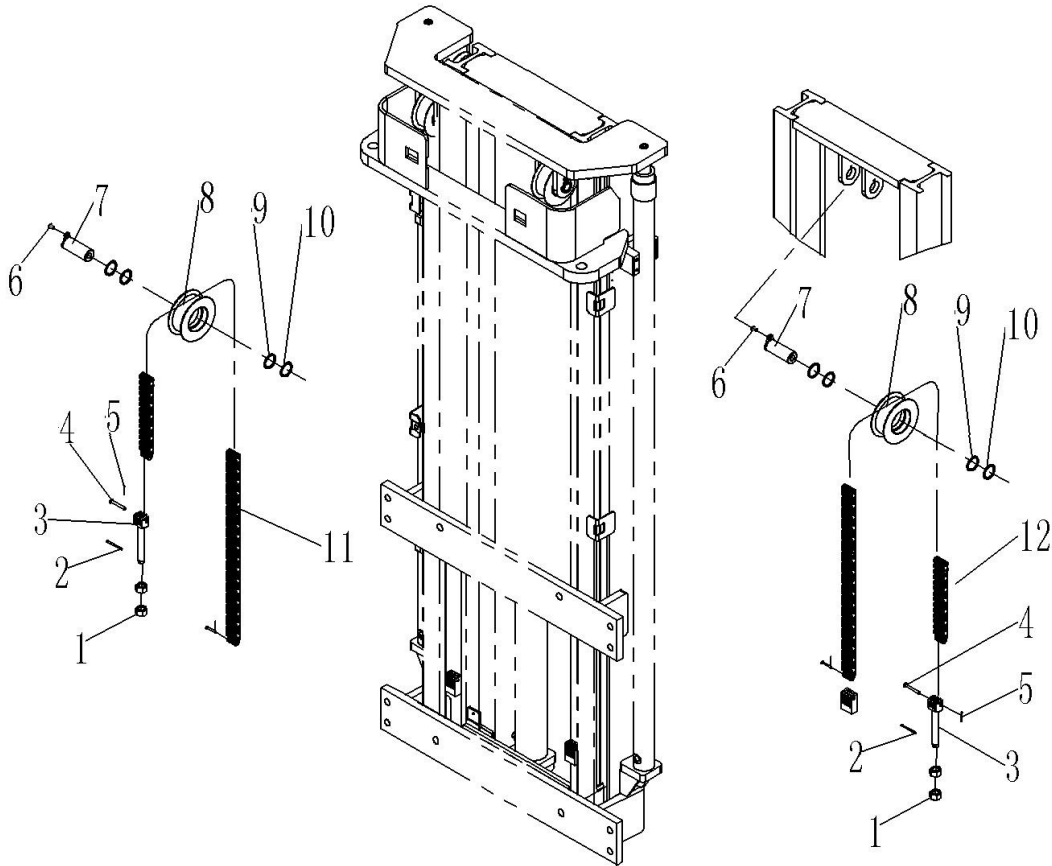
Fig. 15 Full free lifting three-stage mast



**Fig. 15 Full Free Lifting Three-stage Mast**

No.	Art No.	Description	Qty.	Note
1	910300200008	Nut	6	M16x1.5
2	910600600032	Split pin	3	3.2x40
3	941300100008	Chain bolt	2	M16x1.5x130
4	941100800006	Short axle	4	B6x45
5	910600600015	Split pin	6	2x20
6	910200400016	Screw	3	M6x12
7	533544510006	Plate with axle	2	
8	940200500010	Chain pulley	2	
9	940600500008	Washer	6	thickness 2
10	940600500009	Washer	6	thickness 4
11	910300300008	Nut	2	M16
12	532644520028	Sleeve	1	
13	532644520032	Pulley	1	
14	910100100074	Bolt	1	M16x70
15	535044510016	Chain, LH1066-129	2	4600
	534145010005	Chain, LH1066-123	2	4300
	535044510020	Chain, LH1066-113	2	4000
16	940200500011	Chain pulley	1	
17	910200200097	Screw	1	M12x25
18	535045010008	Plate with axle	1	
19	535043510034	Pulley base	1	
20	940800600002	Hoop components	1	Centre distance 96
21	534744520014	Pad	1	
22	535043510023	Chain, LH1266-61	1	4600
	535044510030	Chain, LH1266-59	1	4300
	535043510025	Chain, LH1266-55	1	4000
23	941100800009	Short axle	2	B8x50
24	941300100018	Chain bolt	1	M16x1.5x130

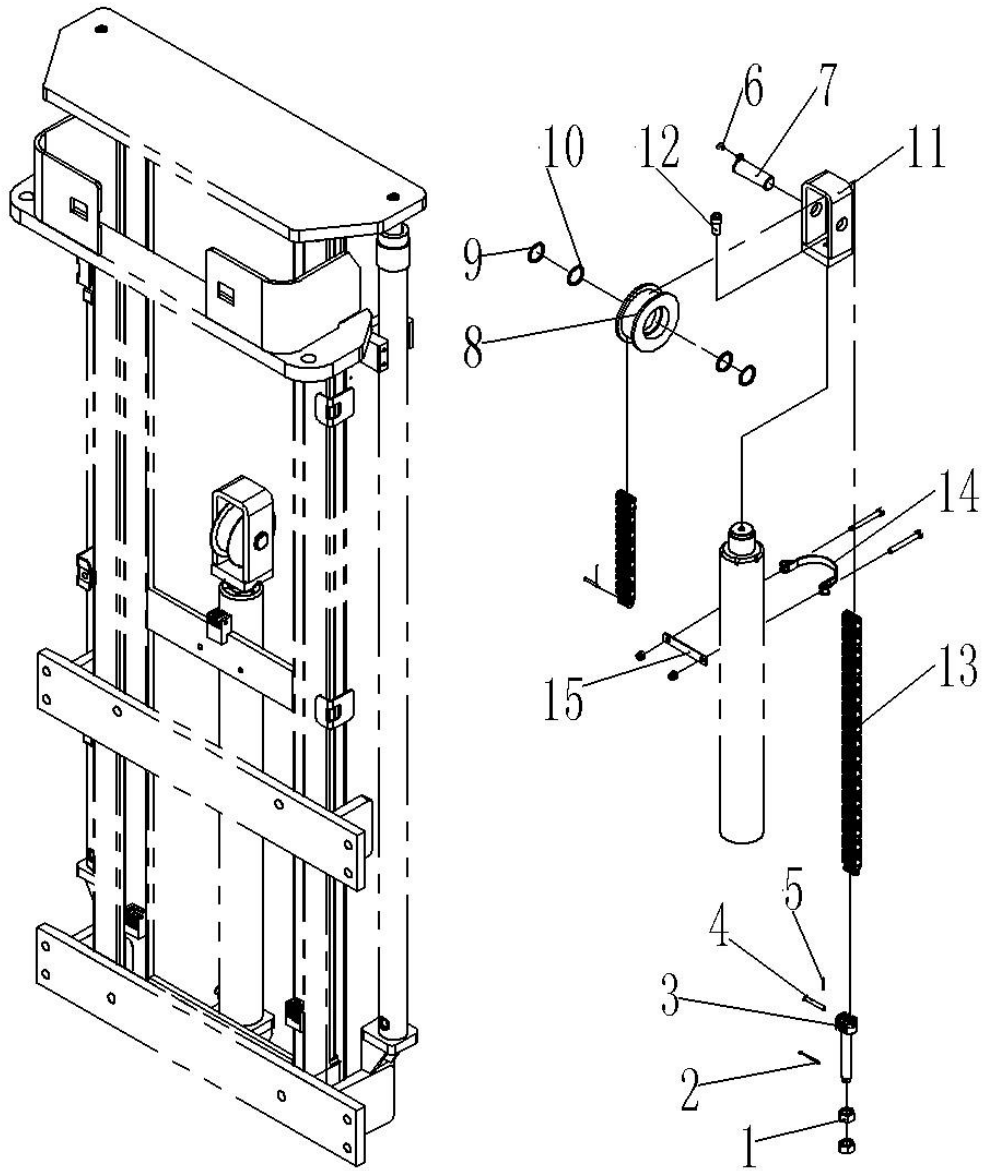
**Fig. 16 Chain of standard lifting three-stage mast**



**Fig. 16 Chain of Standard Lifting Three-stage Mast**

No.	Art No.	Description	Qty.	Note
1	910300200008	Nut	6	M16x1.5
2	910600600032	Split pin	9	3.2x40
3	941300100018	Chain Bolt	3	M16x1.5x130
4	941100800009	Short axle	6	B8x50
5	910600600015	Split pin	6	2x20
6	910200400016	Screw	3	M6x12
7	535045010008	Plate with axle	3	
8	940200500011	Chain pulley	3	
9	940600500008	Washer	6	thickness 2
10	940600500009	Washer	6	thickness 4
11	535045010010	Chain, LH1266-107	2	4600
	535044010010	Chain, LH1266-103	2	4300
12	535044010010	Chain, LH1266-103	1	4600
	535044010011	Chain, LH1266-97	1	4300

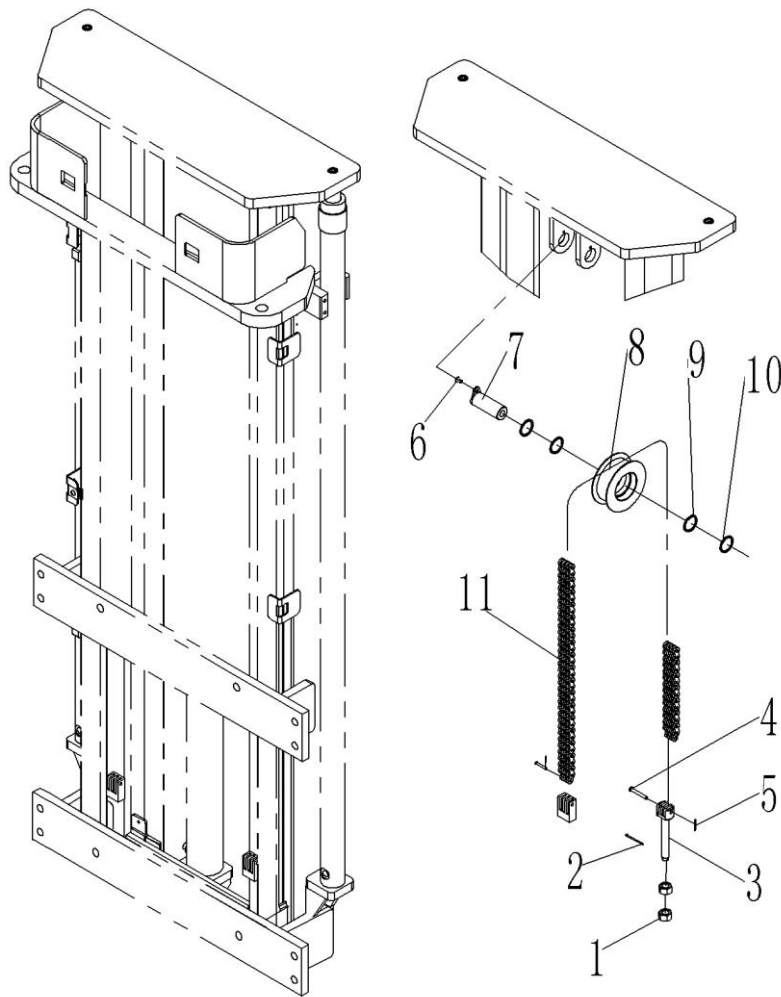
Fig. 17 Chain of full free lifting two-stage mast



**Fig. 17 Chain of Full Free Lifting Two-stage Mast**

No.	Art No.	Description	Qty.	Note
1	910300200008	Nut	2	M16x1.5
2	910600600032	Split pin	1	3.2x40
3	941300100018	Chain Bolt	1	M16x1.5x130
4	941100800009	Short axle	2	B8x50
5	910600600015	Split pin	2	2x20
6	910200400016	Screw	1	M6x12
7	535045010008	Plate with axle	1	
8	940200500011	Chain pulley	1	
9	940600500008	Washer	2	thickness 2
10	940600500009	Washer	2	thickness 4
11	535043510034	Pulley base	1	
12	910200200097	Screw	1	M12x25
13	535043510022	Chain, LH1266-67	1	3600
	535043510023	Chain, LH1266-61	1	3200
	535043510024	Chain, LH1266-57	1	2900
	535043510025	Chain, LH1266-55	1	2700
14	940800600002	Hoop components	1	Centre distance 96
15	534744520014	Pad	1	

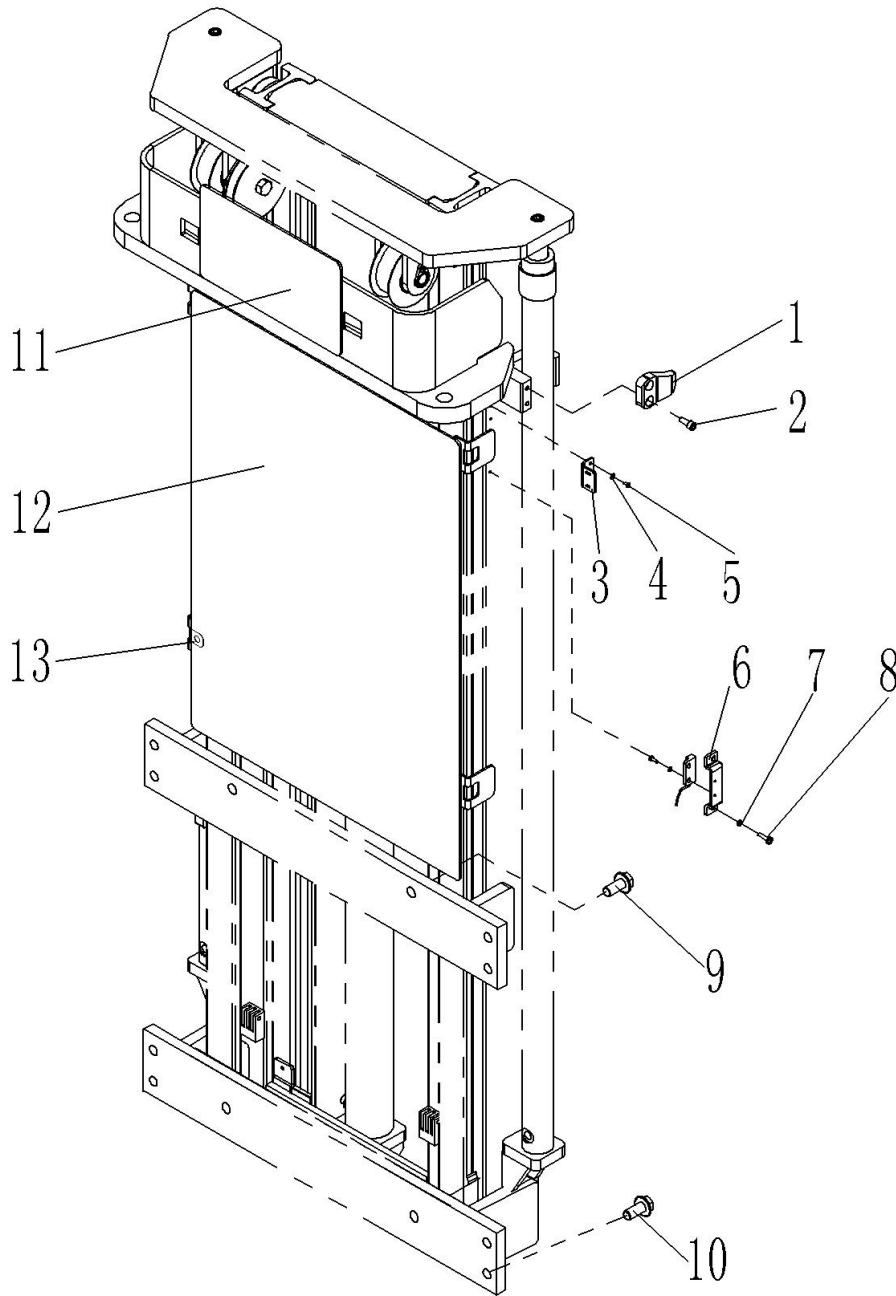
**Fig. 18 Chain of standard lifting two-stage mast**



**Fig. 19 Chain of Standard Lifting Two-stage Mast**

No.	Art No.	Description	Qty.	Note
1	910300200008	Nut	2	M16x1.5
2	910600600032	Split pin	2	3.2x40
3	941300100018	Chain Bolt	2	M16x1.5x130
4	941100800009	Short axle	2	B8x50
5	910600600015	Split pin	1	2x20
6	910200400016	Screw	1	M6x12
7	535045010008	Plate with axle	1	
8	940200500011	Chain pulley	1	
9	940600500008	Washer	2	thickness 2
10	940600500009	Washer	2	thickness 4
11	535044010009	Chain, LH1266-115	1	3600
	535045010009	Chain, LH1266-105	1	3200
	535044010011	Chain, LH1266-97	1	2900

Fig. 19 Other parts of mast

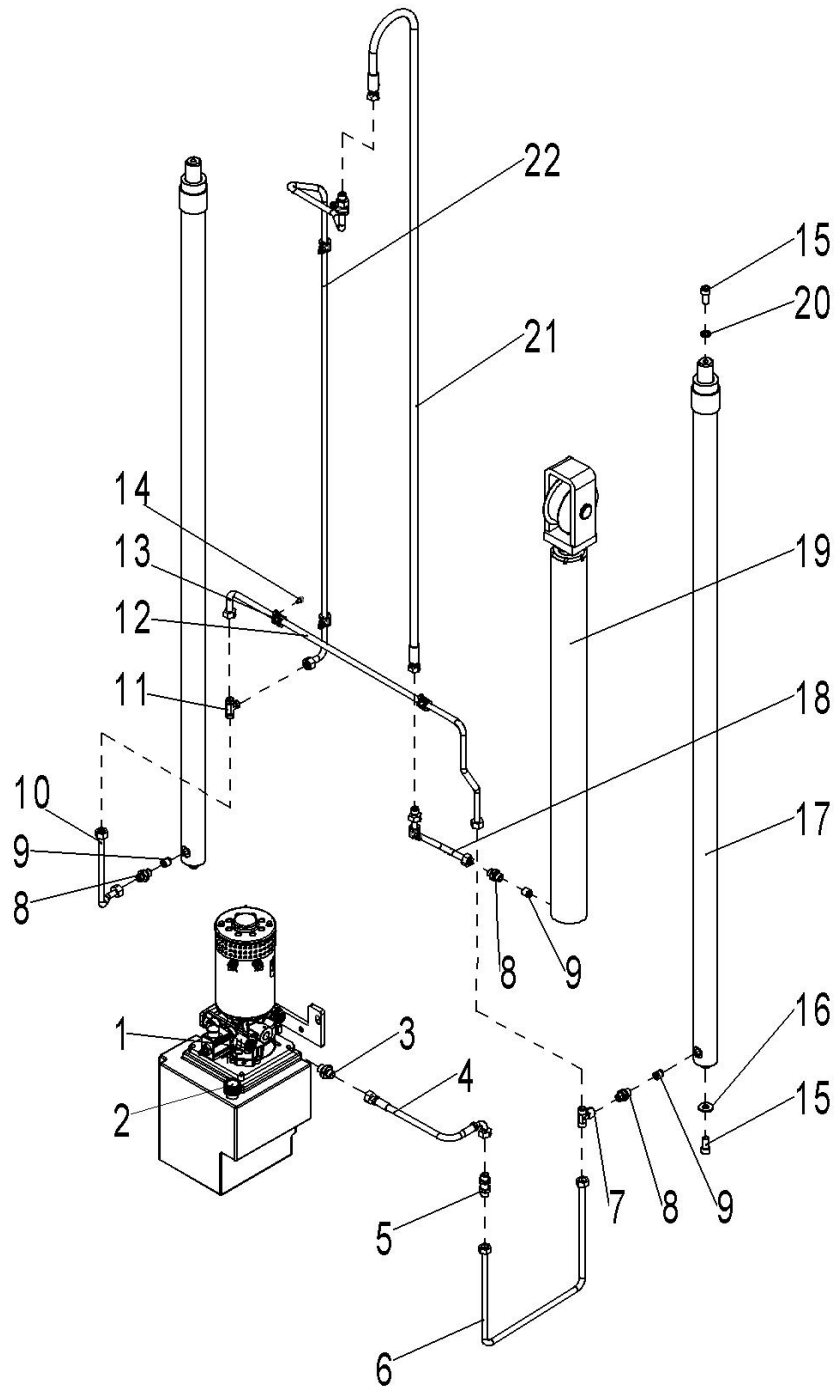


**Fig. 19 Other Parts of Mast**

No.	Art No.	Description	Qty.	Note
1	275044020076	Plate	2	
2	910200200057	Screw	4	M8x20
3	534744520036	Fixing plate	1	
4	910400100003	Flat washer	2	4
5	910200300005	Screw	2	M4x8
6	534744520059	Protective cover	2	
7	910400500003	Spring washer	4	4
8	910200200014	Screw	4	M4x12
9	910100800005	Bolt	4	M16x35
10	910100800006	Bolt	8	M16x40
11	535045020029	Protective plate	1	
12	535044020011	Protective plate	1	4600
	535045020026	Protective plate	1	4300
	535044520004	Protective plate	1	4000
	535044020010	Protective plate	1	3600
	535044020011	Protective plate	1	3200
	535044020012	Protective plate	1	2900
	535043520005	Protective plate	1	2700
13	940400300001	Clip	6 or 8	



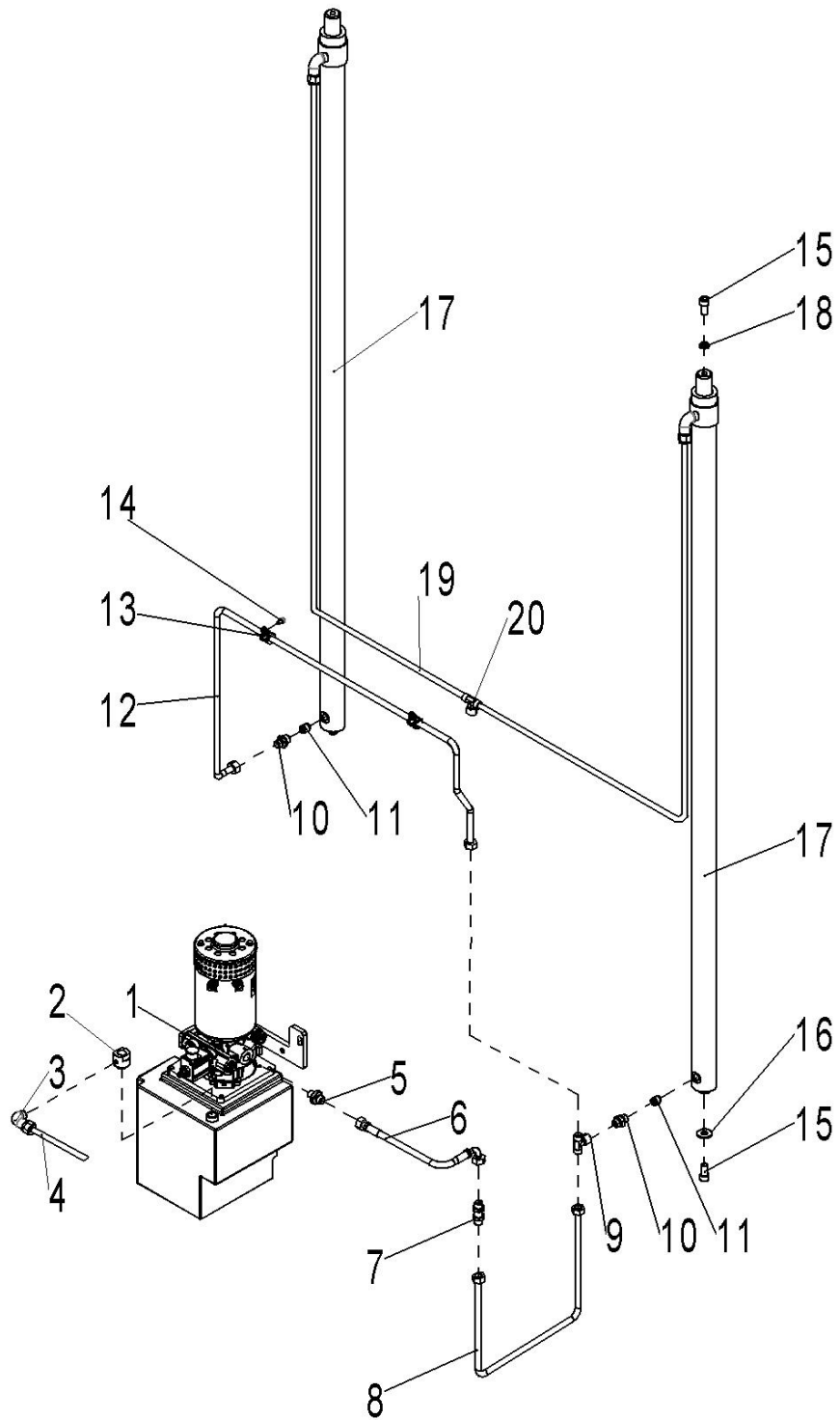
Fig. 20 Full free lifting three-stage mast hydraulic system



**Fig. 20 Full Free Lifting Three-stage Mast Hydraulic System**

No.	Art No.	Description	Qty.	Note
1	535998510000	Pump assembly	1	
2	951100200001	Vent plug	1	M18x1.5
3	950400300005	Joint (Straight)	1	
4	201027520002	Hydraulic pipe assembly (90°)	1	
5	950400500001	Joint ( Straight)	1	
6	536224010001	Hydraulic pipe	1	
7	950400900002	Joint (Steering T)	1	
8	950400400003	Joint (Straight)	3	
9	950600300001	Safety valve	3	
10	533545020026	Hydraulic pipe	1	
11	950400700002	Joint (three-stage mast)	1	
12	536224010002	Hydraulic pipe	1	
13	951000100001	Rubber clip, YGE	4	12
14	910200200032	Screw	4	M6x10
15	910200200097	Screw	4	M12x25
16	534744520015	Pad	2	
17	535044510000	Cylinder	2	4600
	535044510001	Cylinder	2	4300
	535044510002	Cylinder	2	4000
18	533544520006	Hydraulic pipe	1	
19	534744510012	Cylinder (M)	1	4600
	534744510013	Cylinder (M)	1	4300
	535043510012	Cylinder (M)	1	4000
20	910400500008	Spring washer	2	12
21	532644520144	Hydraulic pipe assembly (Straight)	1	4600
	532644520143	Hydraulic pipe assembly (Straight)	1	4300
	535044510019	Hydraulic pipe assembly (Straight)	1	4000
22	535044510012	Hydraulic pipe	1	4600
	535044510013	Hydraulic pipe	1	4300
	535044510014	Hydraulic pipe	1	4000

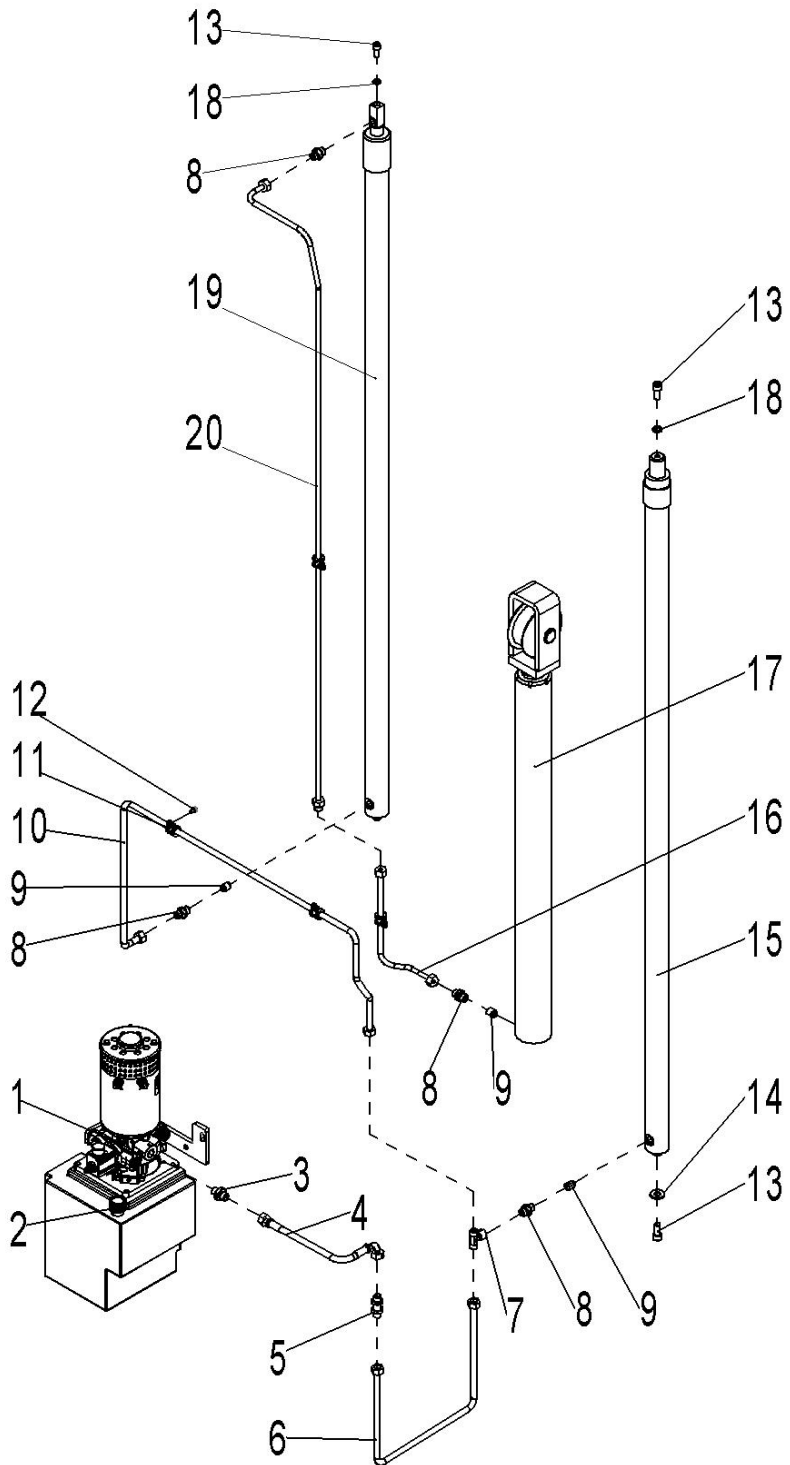
Fig. 21 Standard lifting three-stage mast hydraulic system



**Fig. 21 Standard Lifting Three-stage Mast Hydraulic System**

No.	Art No.	Description	Qty.	Note
1	535998510000	Pump assembly	1	
2	532624020015	Joint	1	
3	950500100001	Joint	3	
4	536224020001	Oil return tube	1	
5	950400300005	Joint (Straight)	1	
6	201027520002	Hydraulic pipe assembly (90°)	1	
7	950400500001	Joint (Straight)	1	
8	536224010001	Hydraulic pipe	1	
9	950400900002	Joint (Steering T)	1	
10	950400400003	Joint (Straight)	2	
11	950600300001	Safety valve	2	
12	536224010003	Hydraulic pipe	1	
13	951000100001	Rubber clip, YGE	2	12
14	910200200032	Screw	2	M6x10
15	910200200097	Screw	4	M12x25
16	534744520015	Pad	2	
17	535045010000	Cylinder	2	4600
	535045010001	Cylinder	2	4300
18	910400500008	Spring washer	2	12
19	535045020028	Oil return tube	2	
20	950500200001	Joint	1	

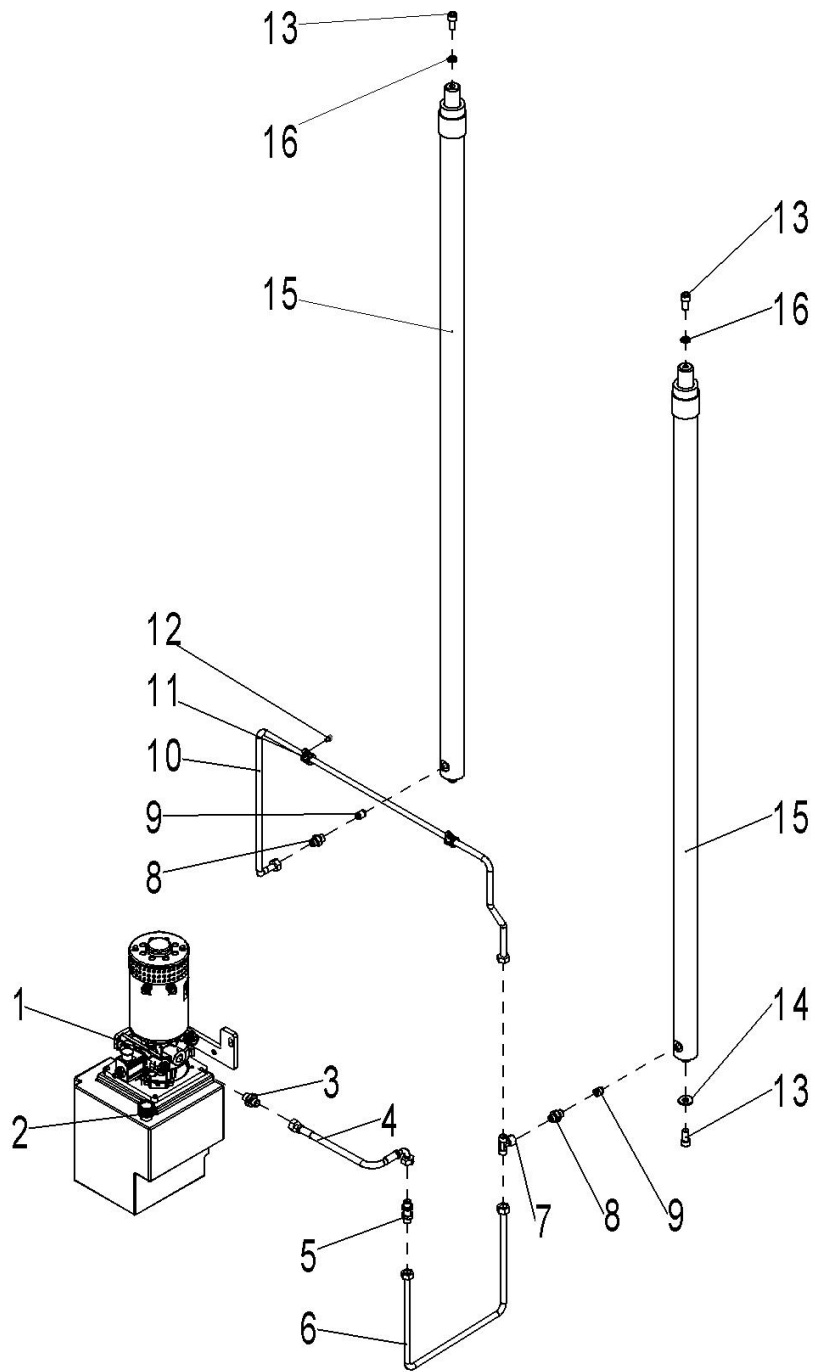
Fig. 22 Full free lifting two-stage mast hydraulic system



**Fig. 22 Full Free Lifting Two-stage Mast Hydraulic System**

No.	Art No.	Description	Qty.	Note
1	535998510000	Pump assembly	1	
2	951100200001	Vent plug	1	M18x1.5
3	950400300005	Joint (Straight)	1	
4	201027520002	Hydraulic pipe assembly (90°)	1	
5	950400500001	Joint ( Straight)	1	
6	536224010001	Hydraulic pipe	1	
7	950400900002	Joint (Steering T)	1	
8	950400400003	Joint (Straight)	3	
9	950600300001	Safety valve	3	
10	536224010003	Hydraulic pipe	1	
11	951000100001	Rubber clip, YGE	4	12
12	910200200032	Screw	4	M6x10
13	910200200097	Screw	4	M12x25
14	534744520015	Pad	2	
15	535043510004	Cylinder (R)	1	3600
	535043510005	Cylinder (R)	1	3200
	535043510006	Cylinder (R)	1	2900
	535043510007	Cylinder (R)	1	2700
16	535043510008	Hydraulic pipe	1	3600
	535043510009	Hydraulic pipe	1	3200
	535043510010	Hydraulic pipe	1	2900
	535043510011	Hydraulic pipe	1	2700
17	534743510009	Cylinder (M)	1	3600
	534743510010	Cylinder (M)	1	3200
	534743510011	Cylinder (M)	1	2900
	535043510012	Cylinder (M)	1	2700
18	910400500008	Spring washer	2	12
19	535043510000	Cylinder (L)	1	3600
	535043510001	Cylinder (L)	1	3200
	535043510002	Cylinder (L)	1	2900
	535043510003	Cylinder (L)	1	2700
20	535043510035	Hydraulic pipe	1	

**Fig. 23 Standard lifting two-stage mast hydraulic system**

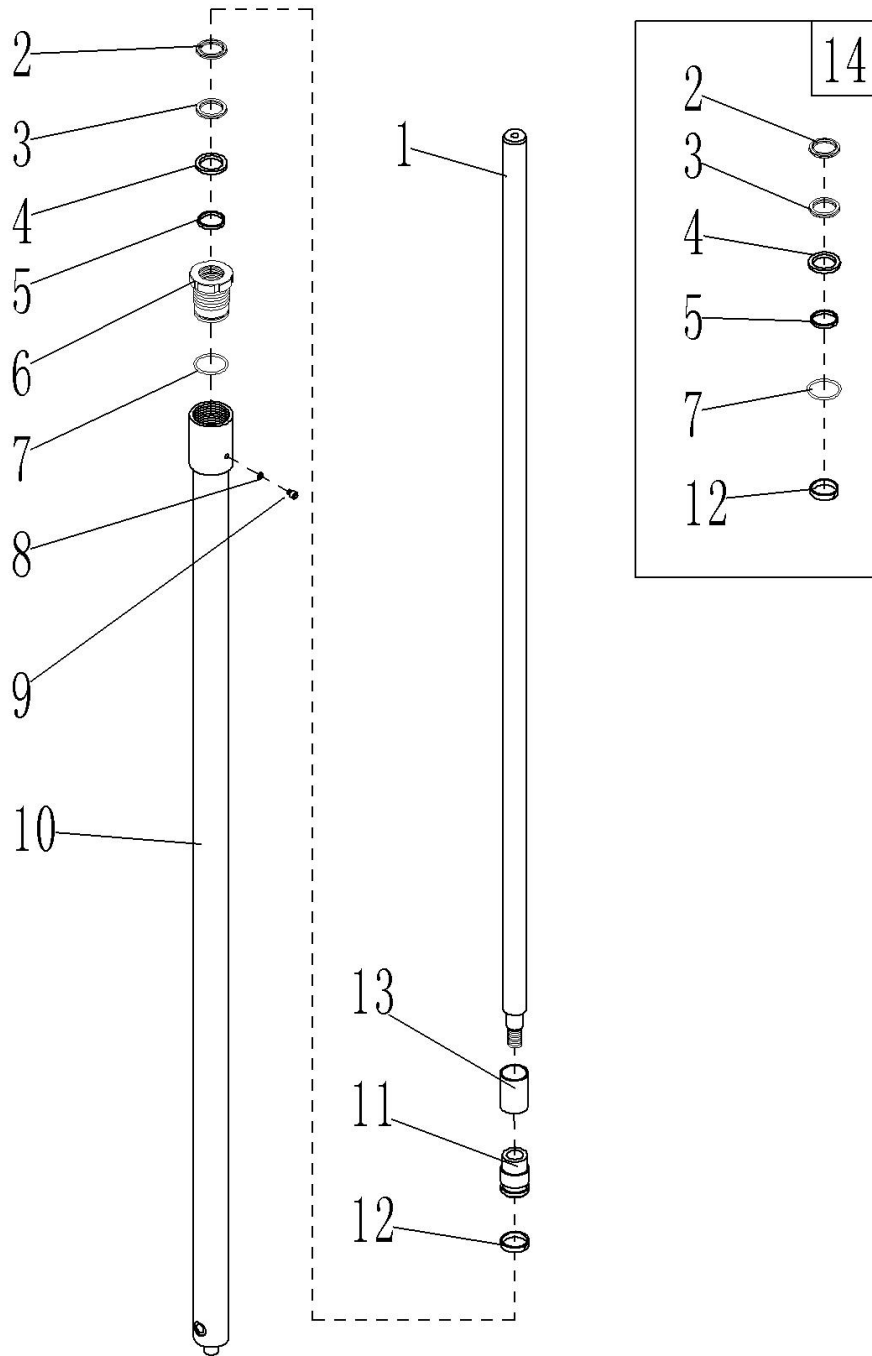


**Fig. 23 Standard Lifting Two-stage Mast Hydraulic System**

No.	Art No.	Description	Qty.	Note
1	535998510000	Pump assembly	1	
2	951100200001	Vent plug	1	M18x1.5
3	950400300005	Joint (Straight)	1	
4	201027520002	Hydraulic pipe assembly (90°)	1	
5	950400500001	Joint (Straight)	1	
6	536224010001	Hydraulic pipe	1	
7	950400900002	Joint (Steering T)	1	
8	950400400003	Joint (Straight)	3	
9	950600300001	Safety valve	3	
10	536224010003	Hydraulic pipe	1	
11	951000100001	Rubber clip, YGE	2	12
12	910200200032	Screw	2	M6x10
13	910200200097	Screw	4	M12x25
14	534744520015	Pad	2	
15	535044010006	Cylinder	1	3600
	535044010007	Cylinder	1	3200
	535044010008	Cylinder	1	2900
16	910400500008	Spring washer	2	12



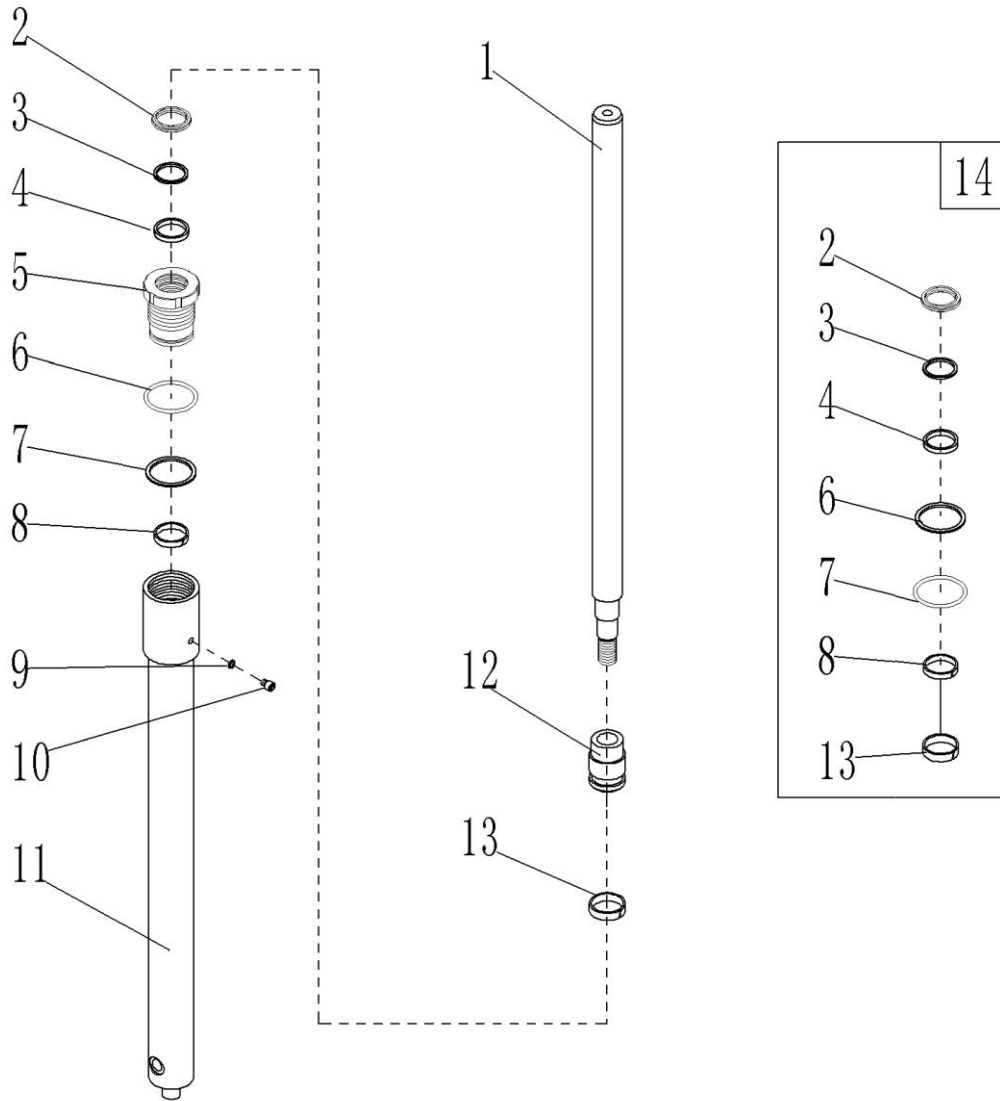
Fig. 24 Full free lifting three-stage mast external cylinder components



**Fig. 24 Full Free Lifting Three-stage Mast External Cylinder Components**

No.	Art No.	Description	Qty.	Note
1	535098520011	Piston rod	1	4600
	535098520009	Piston rod	1	4300
	535098520008	Piston rod	1	4000
2	910800400002	Dust ring	1	
3	535398520002	Sealing ring	1	
4	535098520017	Sealing part	1	
5	535098520016	Support ring	1	
6	535098520018	Cylinder cap	1	
7	910800100093	O Ring	1	
8	910800900010	Washer	1	8
9	910200200051	Screw	1	M8x10
10	535098520019	Cylinder tube	1	4600
	535098520020	Cylinder tube	1	4300
	535098520021	Cylinder tube	1	4000
11	535098520022	Piston	1	
12	533298520004	Support ring	1	
13	535098520023	Adjusting bushing	1	
14	535098510000	Sealing components	1	

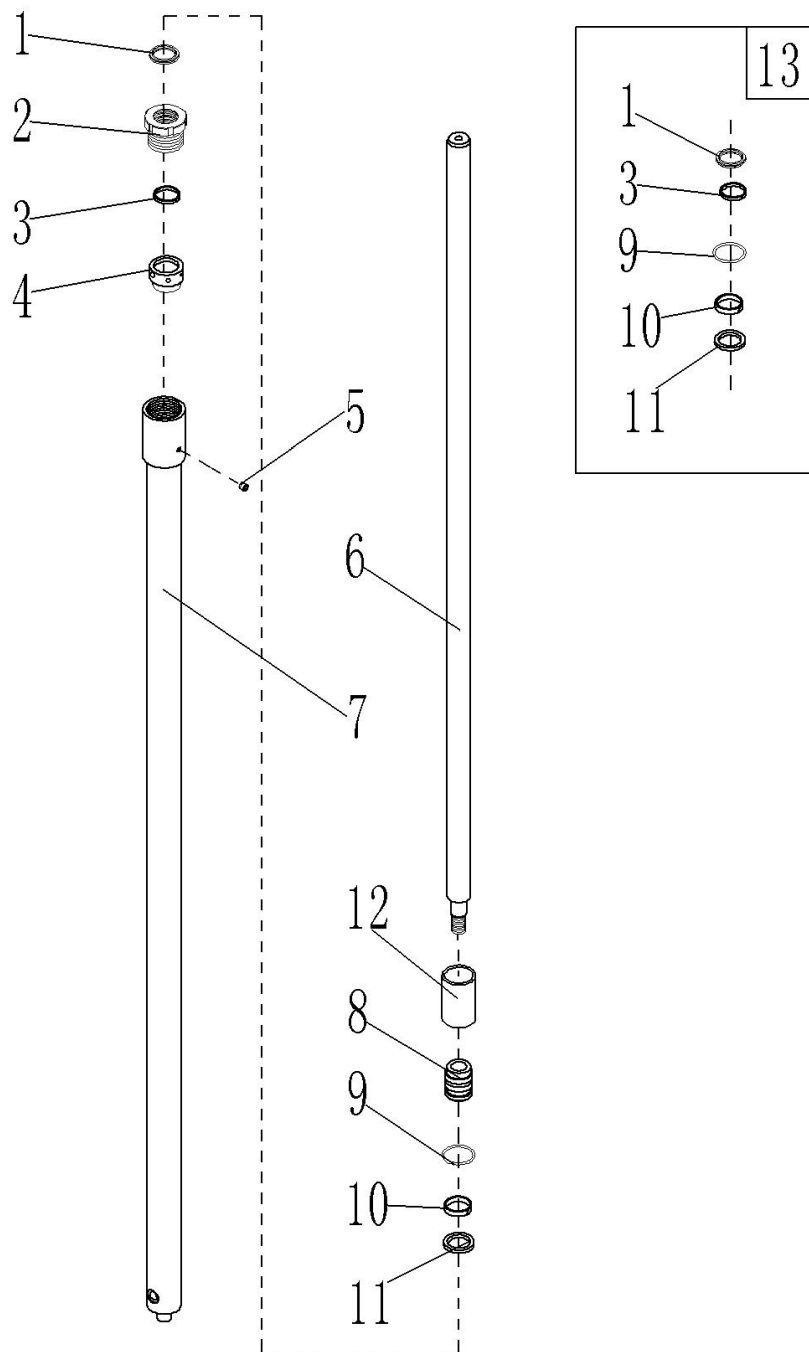
Fig. 25 Full free lifting three-stage mast middle cylinder components



**Fig. 25 Full Free Lifting Three-stage Mast Middle Cylinder Components**

No.	Art No.	Description	Qty.	Note
1	534798520014	Piston rod	1	4600
	534798520015	Piston rod	1	4300
	535098520006	Piston rod	1	4000
2	534798520042	Dust ring	1	
3	534798520063	Ring	1	
4	534798520064	Sealing ring	1	
5	534798520065	End cap	1	
6	534498520021	O Ring	1	
7	534798520066	Ring	1	
8	534798520067	Support ring	1	
9	910800900010	Washer	1	8
10	910200200051	Screw	1	M8x10
11	534798520018	Cylinder tube	1	4600
	534798520019	Cylinder tube	1	4300
	535098520024	Cylinder tube	1	4000
12	534798520071	Piston	1	
13	534798520072	Support ring	1	
14	534798510001	Sealing components	1	

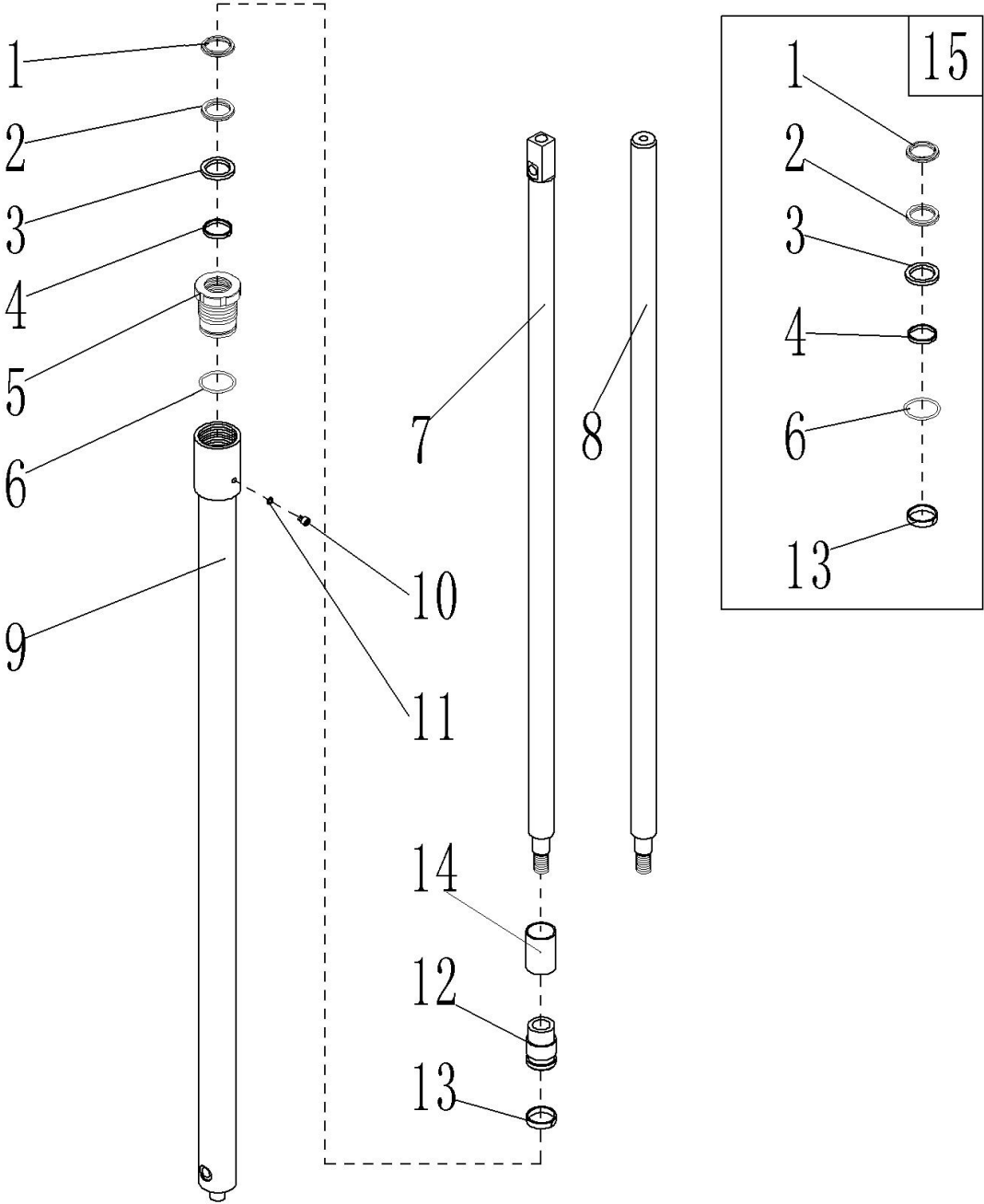
Fig. 26 Standard lifting three-stage mast external cylinder components



**Fig. 26 Standard Lifting Three-stage Mast External Cylinder components**

No.	Art No.	Description	Qty.	Note
1	910800400002	Dust ring	1	
2	533598520005	Nut	1	
3	535098520016	Support ring	1	
4	533598520006	Spacer bushing	1	
5	910200200051	Screw	1	M8x10
6	535098520012	Piston rod	1	4600
	535098520010	Piston rod	1	4300
7	535098520025	Cylinder tube	1	4600
	535098520026	Cylinder tube	1	4300
8	535098520027	Piston	1	
9	535098520028	O Ring	1	
10	535098520029	Support ring	1	
11	535398520005	Sealing ring	1	
12	535098520030	Adjusting bushing	1	
13	535098510001	Sealing components	1	

Fig. 27 Full free lifting two-stage mast external cylinder components

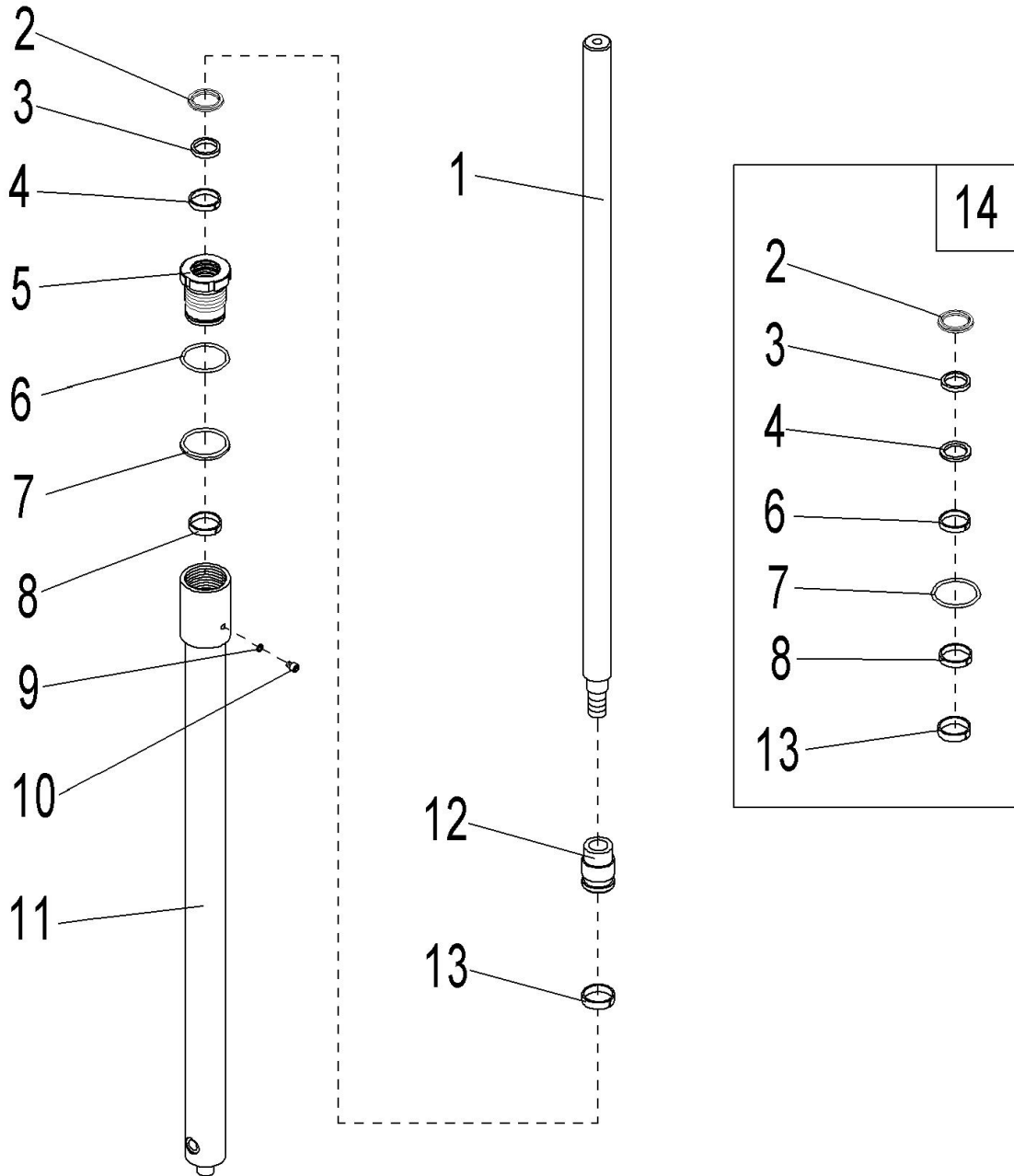


**Fig. 27 Full Free Lifting Two-stage Mast External Cylinder Components**

No.	Art No.	Description	Qty.	Note
1	534798520027	Dust ring	1	
2	534798520028	Sealing ring	1	
3	534798520029	Sealing part	1	
4	534798520030	Support ring	1	
5	534798520031	Cylinder cap	1	
6	910800100093	O Ring	1	
7	535098520007	Piston rod	1	3600 Left Cylinder
	535098520005	Piston rod	1	3200 Left Cylinder
	535098520004	Piston rod	1	2900 Left Cylinder
	535098520002	Piston rod	1	2700 Left Cylinder
8	535098520031	Piston rod	1	3600 Right Cylinder
	535098520003	Piston rod	1	3200 Right Cylinder
	535098520001	Piston rod	1	2900 Right Cylinder
	535098520000	Piston rod	1	2700 Right Cylinder
9	535098520032	Cylinder tube	1	3600
	535098520033	Cylinder tube	1	3200
	535098520034	Cylinder tube	1	2900
	535098520035	Cylinder tube	1	2700
10	910800900010	Washer	1	8
11	910200200051	Screw	1	M8x10
12	534798520041	Piston	1	
13	533298520004	Support ring	1	
14	535098520036	Adjusting bushing	1	
15	535098510002	Sealing components	1	



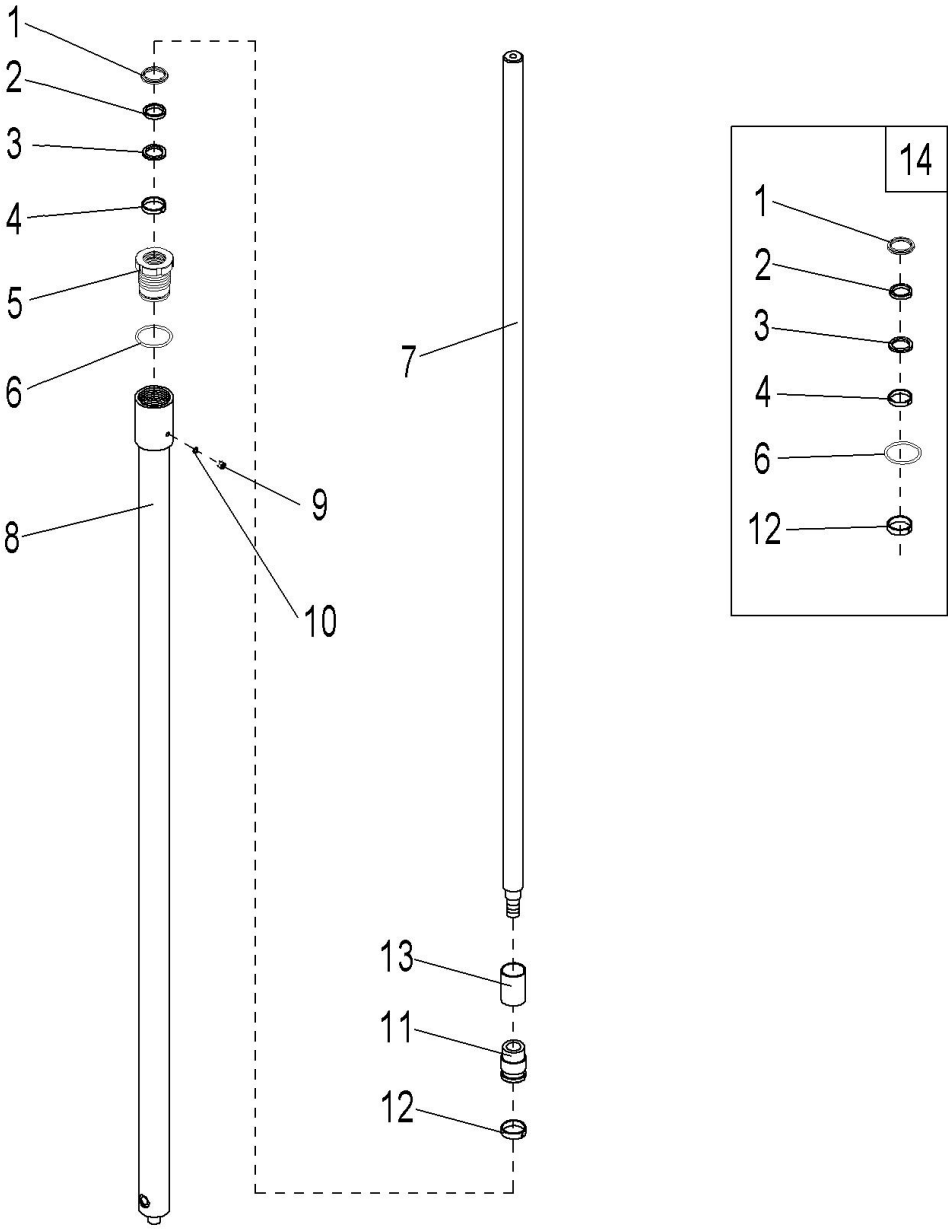
Fig. 28 Full free lifting two-stage mast middle cylinder components



**Fig. 28 Full Free Lifting Two-stage Mast Middle Cylinder Components**

No.	Art No.	Description	Qty.	Note
1	534798520059	Piston rod	1	3600
	534798520060	Piston rod	1	3200
	534798520061	Piston rod	1	2900
	535098520006	Piston rod	1	2700
2	534798520042	Dust ring	1	
3	534798520063	Ring	1	
4	534798520064	Sealing ring	1	
5	534798520065	End cap	1	
6	534498520021	O Ring	1	
7	534798520066	Ring	1	
8	534798520067	Support ring	1	
9	910800900010	Washer	1	8
<b>10</b>	<b>910200200051</b>	<b>Screw</b>	<b>1</b>	<b>M8x10</b>
11	534798520068	Cylinder tube	1	3600
	534798520069	Cylinder tube	1	3200
	534798520070	Cylinder tube	1	2900
	535098520024	Cylinder tube	1	2700
12	534798520071	Piston	1	
13	534798520072	Support ring	1	
14	534798510003	Sealing components	1	

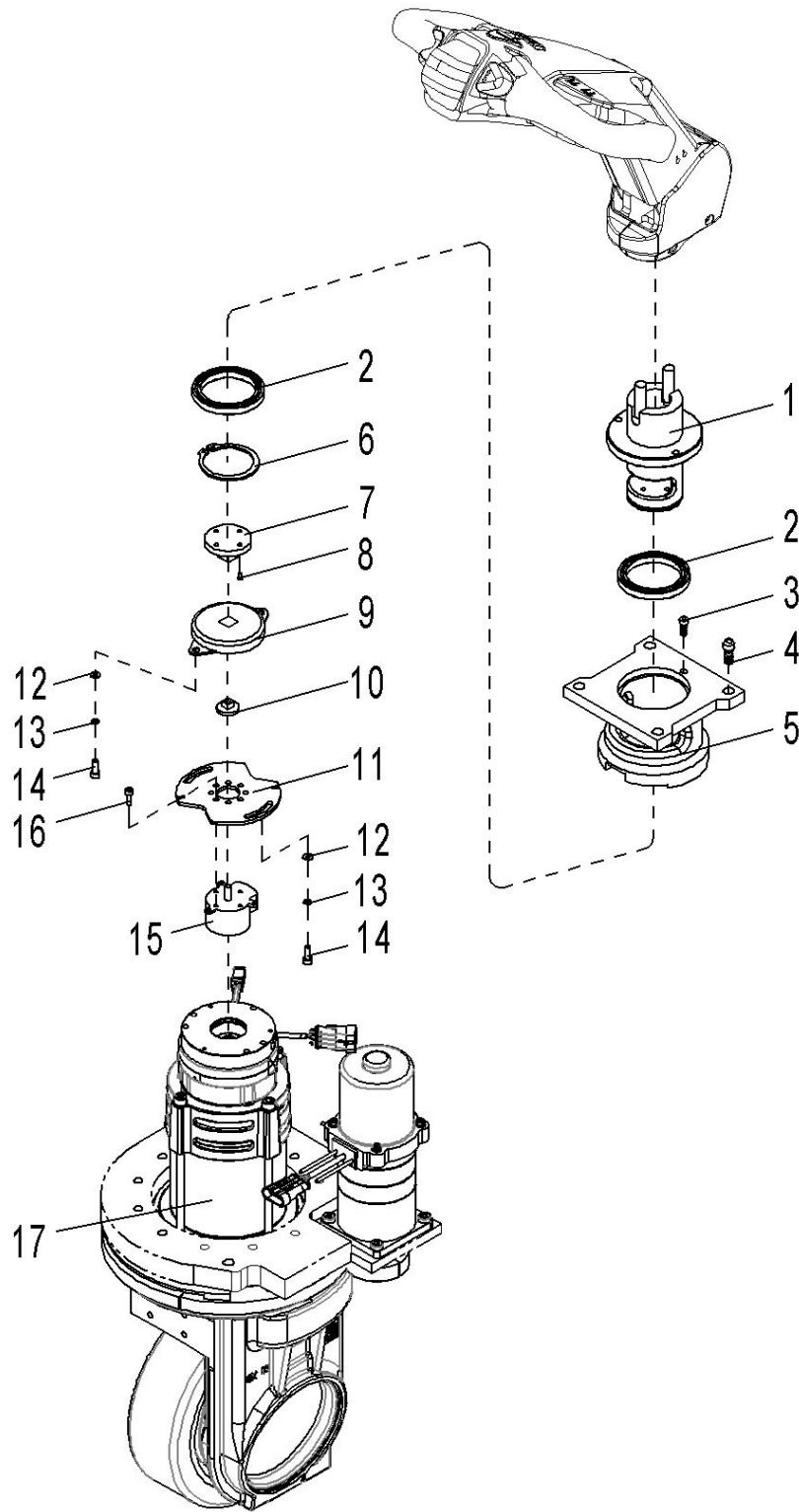
**Fig. 29 Standard lifting two-stage mast external cylinder components**



**Fig. 29 Standard Lifting Two-stage Mast External Cylinder Components**

No.	Art No.	Description	Qty.	Note
1	910800400002	Dust ring	1	
2	535398520002	Sealing ring	1	
3	535098520017	Sealing part	1	
4	535398520003	Support ring	1	
5	534798520046	Cylinder cap	1	
6	910800100093	O Ring	1	
7	535098520015	Piston rod	1	3600
	535098520014	Piston rod	1	3200
	535098520013	Piston rod	1	2900
8	535098520037	Cylinder tube	1	3600
	535098520038	Cylinder tube	1	3200
	535098520039	Cylinder tube	1	2900
<b>9</b>	<b>910200200051</b>	<b>Screw</b>	<b>1</b>	<b>M8x10</b>
10	910800900010	Washer	1	8
11	534798520041	Piston	1	
12	533298520004	Support ring	1	
13	535098520040	Adjusting bushing	1	
14	535098510003	Sealing components	1	

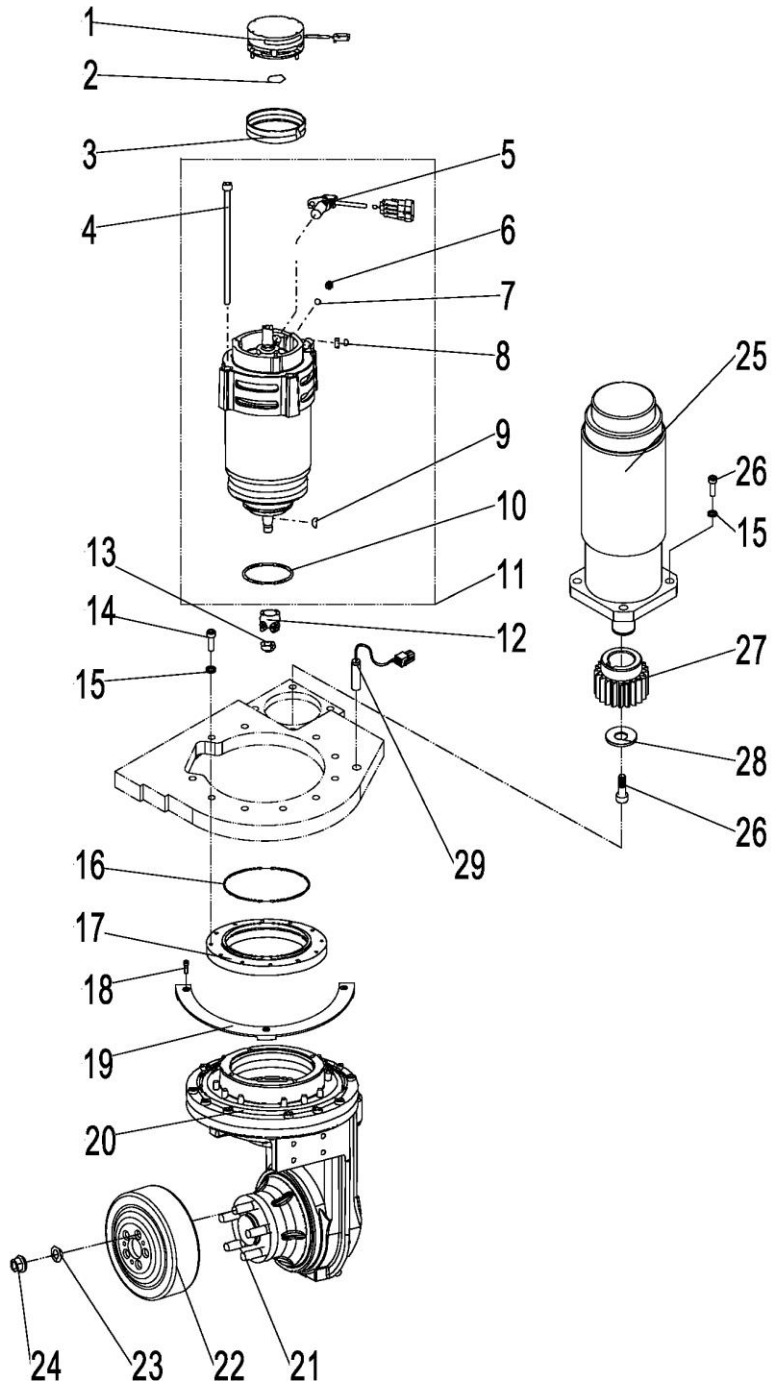
Fig. 30 EPS components



**Fig. 30 EPS components**

No.	Art No.	Description	Qty.	Note
1	535931510001	Axle base welding	1	
2	910700200041	Bearing	2	61810
3	910200200032	Screw	3	M6x10
4	910200200075	Screw	4	M10x20
5	505631520002	Fixing base	1	
6	910401300024	Elastic ring	1	50
7	505631520005	Connecting block	1	
8	910200200013	Screw	1	M4x10
9	940801200001	Damper	1	
10	505931520002	Connecting block	1	
11	535931520002	Mounting plate	1	
12	910400100004	Flat washer	4	5
13	910400500004	Spring washer	4	5
14	910200200021	Screw	4	M5x10
15	921800200008	Potentiometer	1	
16	910200200014	Screw	4	M4x12
17	535913501002	Driving assembly (EPS )	1	

Fig. 31 Driving assembly (EPS)

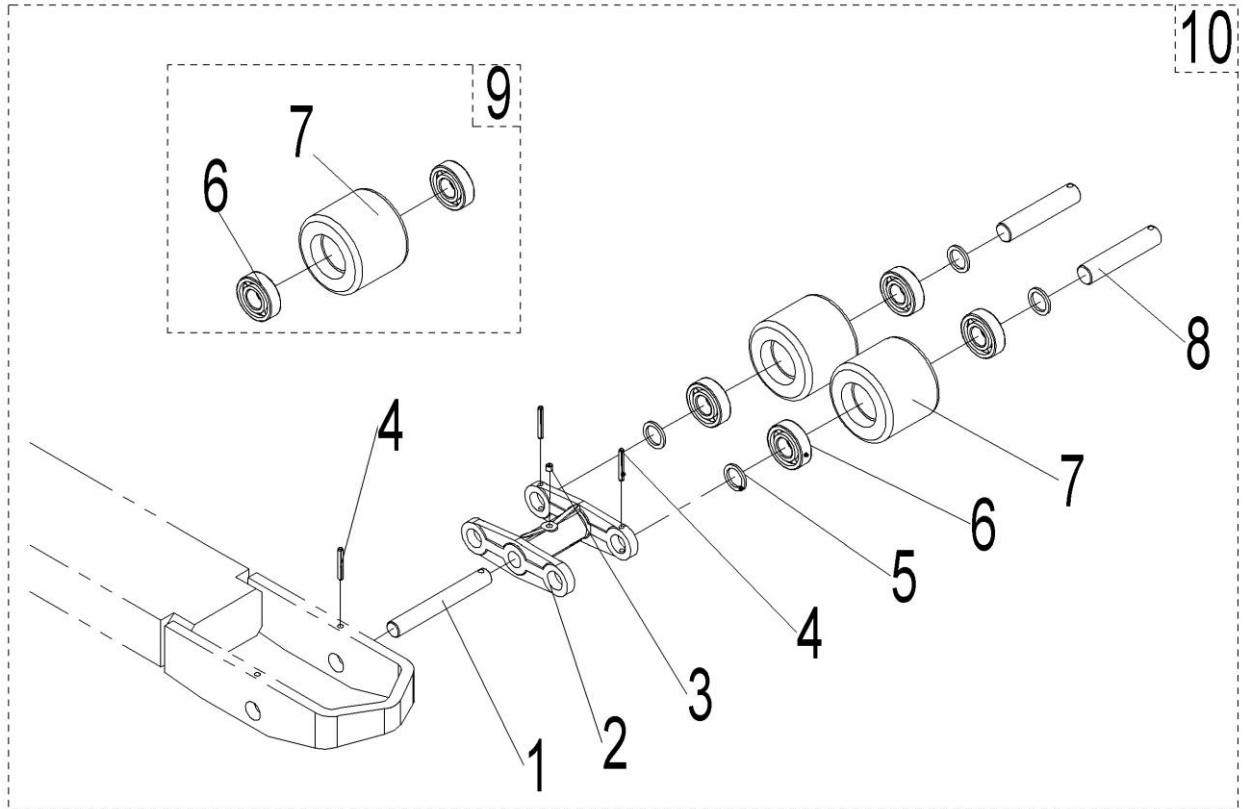


**Fig. 31 Driving assembly (EPS)**

No.	Art No.	Description	Qty.	Note
1	535998510001	Brake	1	
2	535998520000	Retaining ring	1	15
3	535998520001	Gasket	1	
4	535998520002	Cap screw	4	M8x175
5	535998510002	Sensor	1	
6	535998520003	Hexagon nut	1	M6x8
7	535998520004	Safety element	1	
8	535998520005	Fitted key	1	5x5x14
9	535998520006	Woodruff key	1	
10	535998520007	O ring	1	
11	535998510003	Motor	1	
12	535998520014	Antriebsritzel	1	
13	535998520008	SLOTTED NUT	1	
14	910200200060	Screw	10	M8x35
15	910400500006	Washer	14	8
16	535998520009	O ring	1	146X3
17	535998520010	Adapter plate	1	
18	535998520015	Cap screw	3	
19	535998520016	Steering limiter	1	
20	535998510005	Gearbox	1	
21	535998520011	Wheel Stud	5	
22	940300400005	Driving wheel	1	Φ 230x70
23	535998520012	Spring washer	5	
24	535998520013	Wheel nut	5	
25	920900100069	Steering motor	1	
26	910200200057	Screw	5	M8x20
27	535998520017	Steering pinion	1	Z=19
28	506713520001	End ring	1	
29	505733510001	Proximity switch	1	



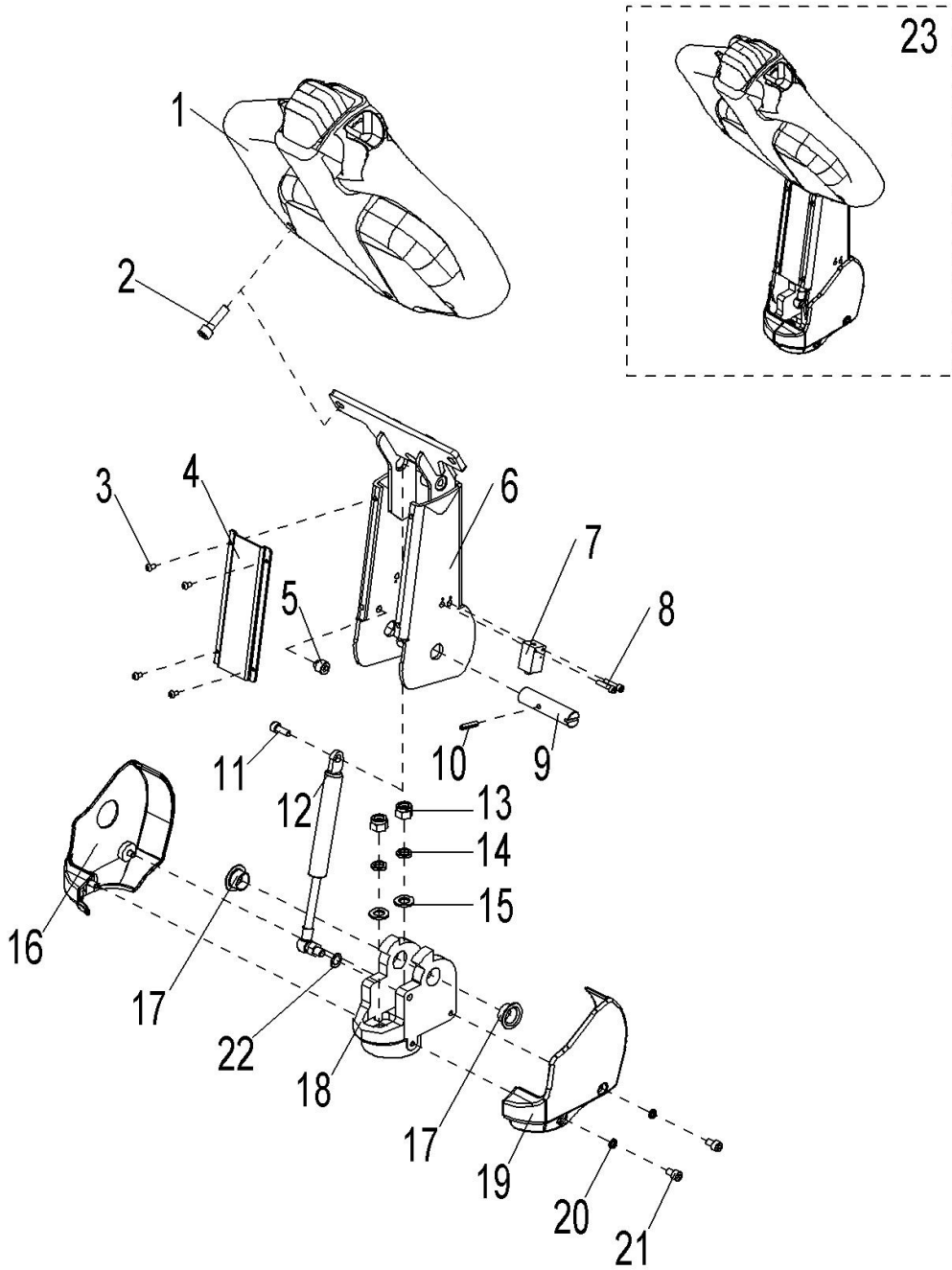
**Fig. 32 Load roller assembly**



**Fig. 32 Load Roller Assembly**

No.	Art No.	Description	Qty.	Note
1	504117020003	Axle	2	
2	504117020004	Tandem roller frame	2	
3	911200100001	Grease nipple	1	6
4	910600400027	Dowel pin	6	5x35
5	940600500004	Washer	8	thickness 2.5
6	910700200019	Bearing	8	6204
7	940300300009	Roller	4	
8	504117020005	Axle	4	
9	532998510001	Roller set components	4	
10	532917001000	Load roller assembly	2	

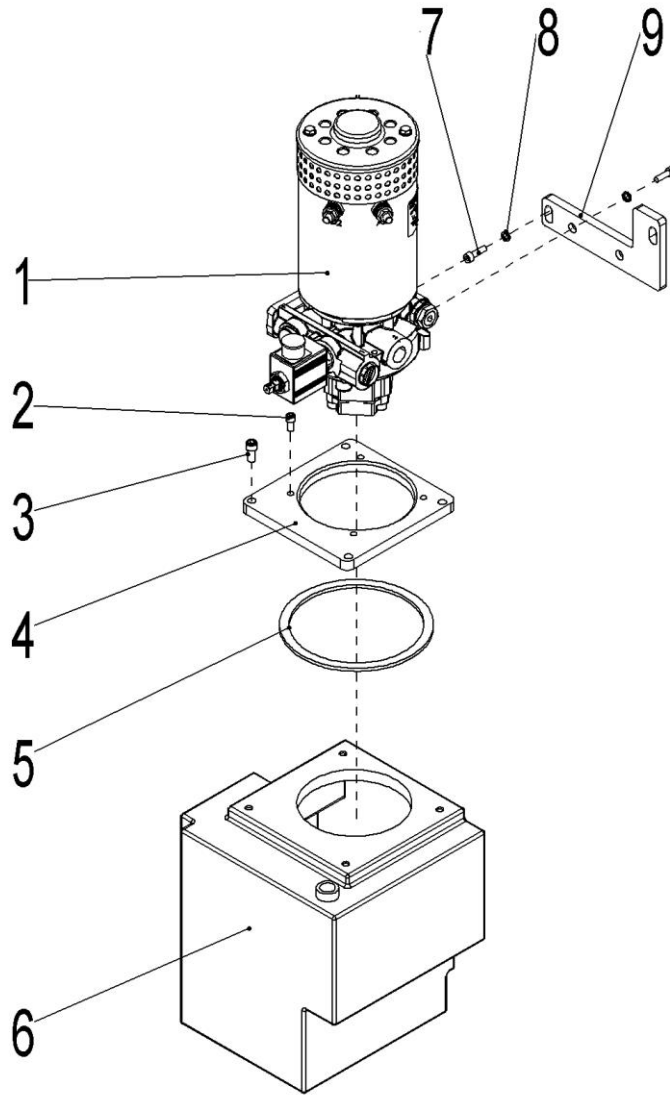
Fig. 33 Tiller assembly



**Fig. 33 Tiller Assembly**

No.	Art No.	Description	Qty.	Note
1	922100100001	Tiller	1	REMA
2	910200200058	Screw	2	M8x25
3	910200300005	Screw	4	M4x8
4	535911020003	Plate	1	
5	505611020007	Limit screw	1	M8x5
6	535911010000	Tiller welding	1	
7	506733510002	Proximity switch	1	280mm
8	910200500015	Screw	2	M3x20
9	505611020008	Axle	1	
10	910600400013	Dowel pin	1	4x24
11	910200200057	Screw		M8x20
12	940400100001	Air spring	1	330N
13	910300500005	Nut	2	M10
14	910400500007	Spring washer	2	10
15	910400100007	Flat washer	2	10
16	535911020005	Protective cover	1	
17	940500200002	Bushing	2	
18	535911020004	Tiller base	1	
19	535911020006	Protective cover	1	
20	910400500005	Spring washer	2	6
21	910200300016	Screw	2	M6x10
22	910400100006	Flat washer	1	8
23	535911001000	Tiller assembly	1	

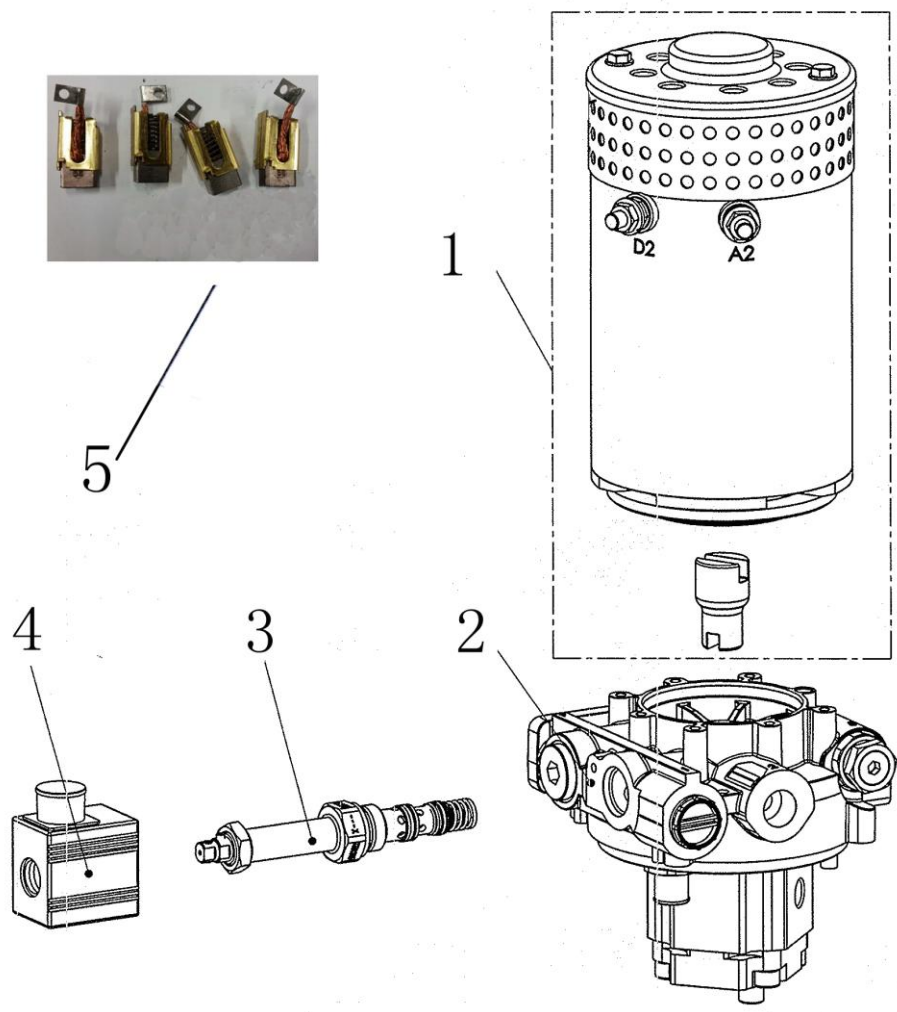
**Fig. 34 Pump assembly**



**Fig. 34 Pump Assembly**

No.	Art No.	Description	Qty.	Note
1	950900100015	Hydraulic power unit	1	24V3.2KW4.0cc
2	910200200034	Screw	4	M6x14
3	910200200057	Screw	4	M8x20
4	535919020005	Mounting plate	1	
5	535919020003	Sealing pad	1	
6	535919020001	Plastic oil tank	1	
7	910200200074	Screw	4	M10x16
8	910400500007	Spring washer	4	10
9	535924020001	Mounting plate	1	

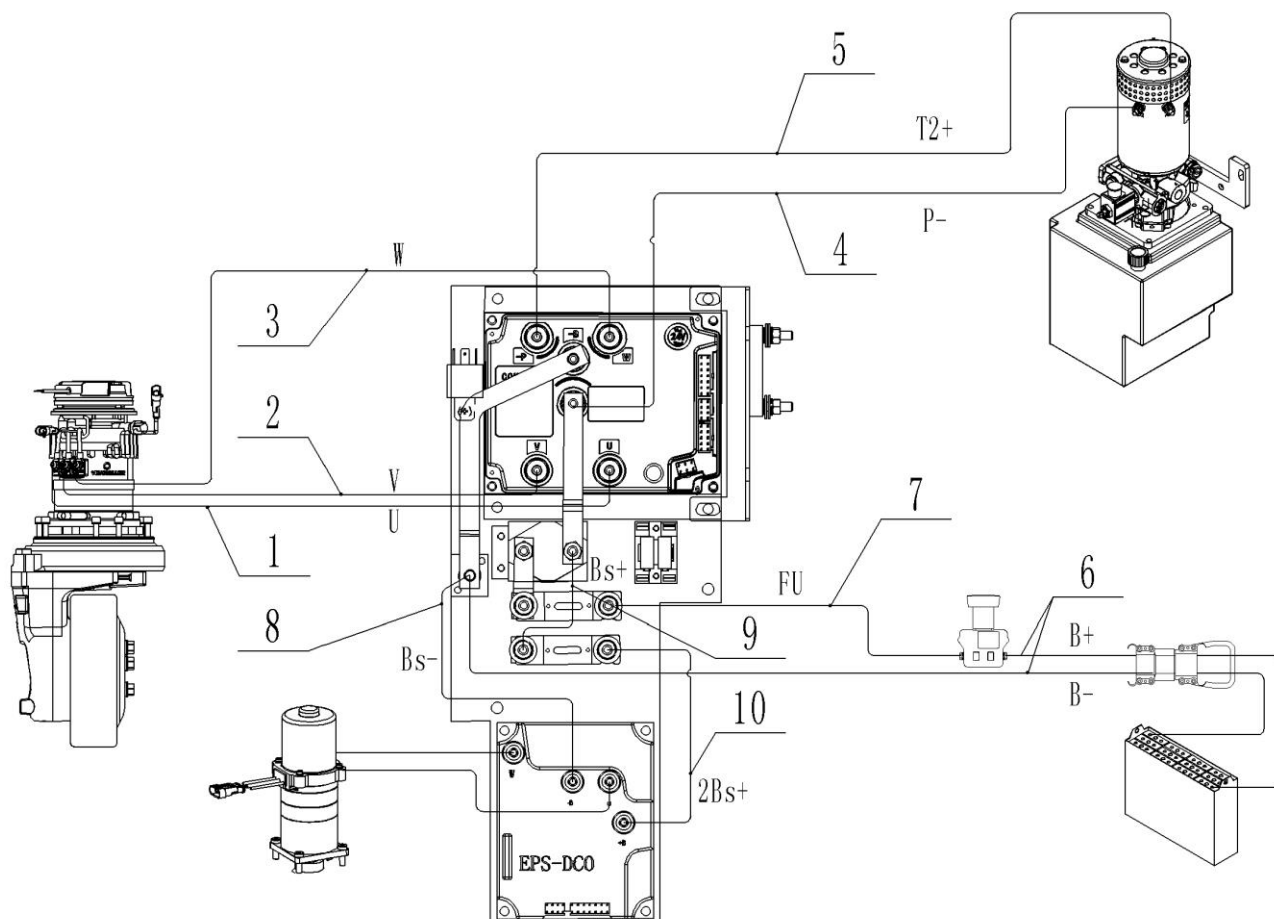
**Fig. 35 Hydraulic power unit**



**Fig. 35 Hydraulic Power Unit**

No.	Art No.	Description	Qty.	Note
1	534798510006	Motor	1	3.2KW
2	534798510007	Centre valve	1	
3	534798520024	Electromagnetic valve core	1	
4	534798520025	Coil	1	
5	534798520026	Carbon brush	1	

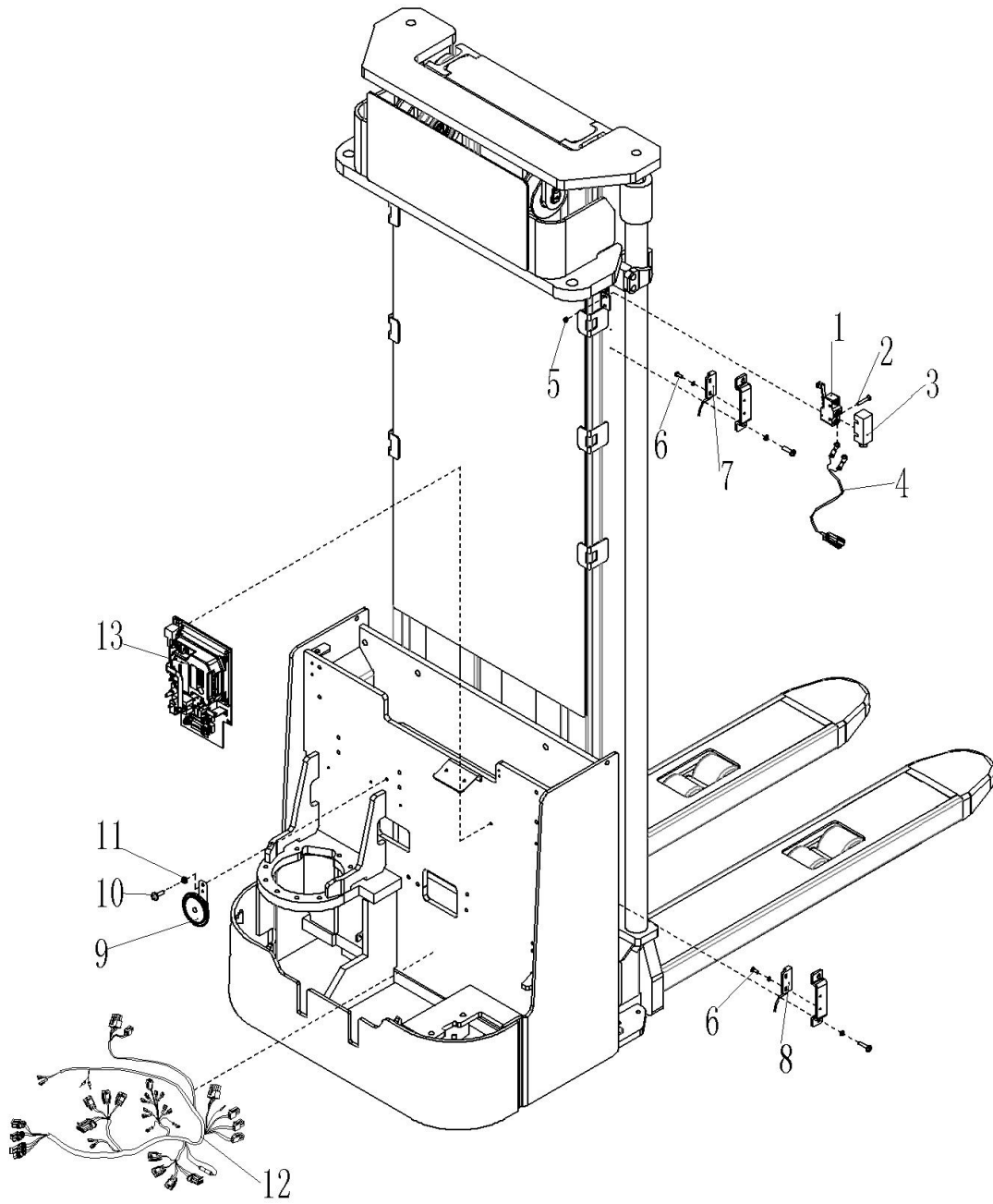
**Fig. 36 Main circuit wiring harness (EPS)**



**Fig. 36 Main Circuit Wiring Harness (EPS)**

No.	Art No.	Description	Qty.	Note
1	535933010003	Cable	1	U
2	535933010004	Cable	1	V
3	535933010005	Cable	1	W
4	535933010006	Cable	1	P-
5	535933010007	Cable	1	T2+
6	535933010008	Main power supply wiring harness	1	
7	535933010009	Cable	1	FU+
8	535933010016	Connecting cable	1	Bs-
9	535933010014	Connecting cable	1	Bs+
10	535933010015	Connecting cable	1	2Bs+

Fig. 37 Electrical parts

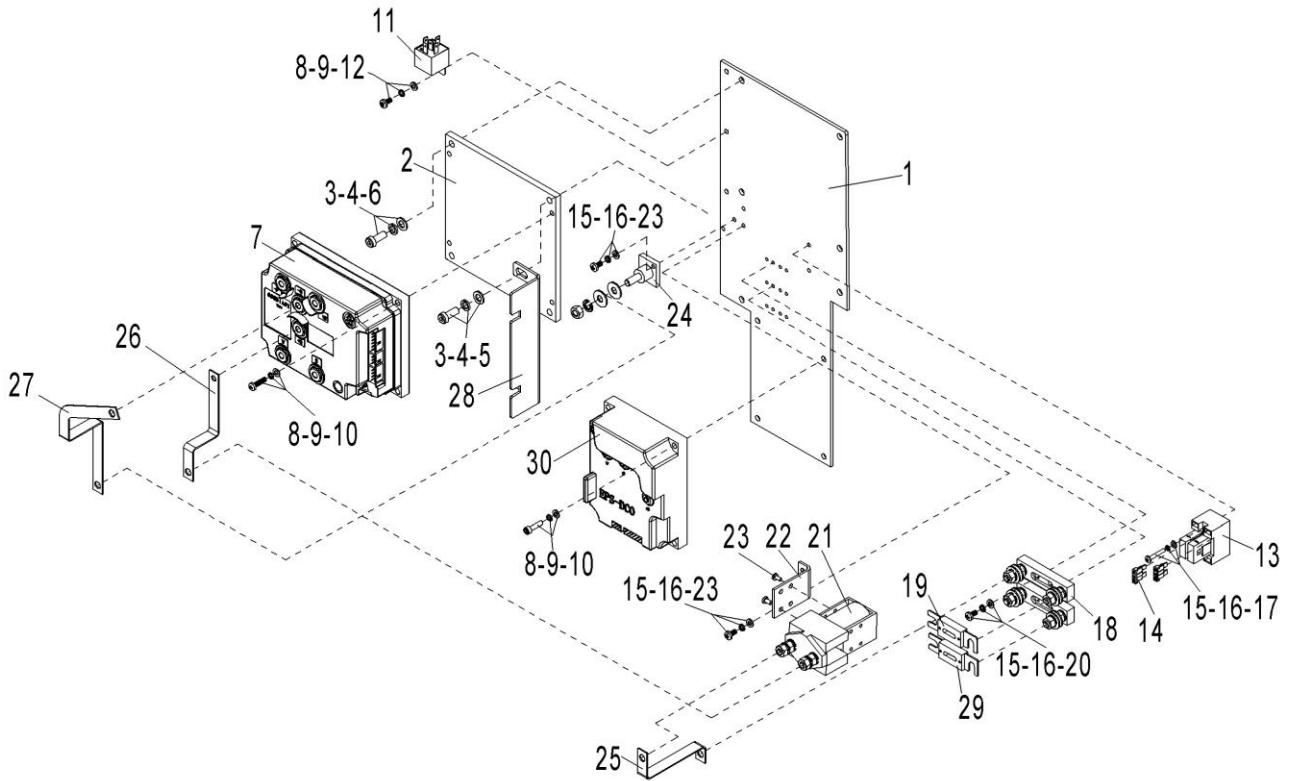


**Fig. 37 Electrical Parts**

No.	Art No.	Description	Qty.	Note
1	920200300001	Micro switch	1	XZ-15GW22-B
2	910200400006	Screw	2	M4x25
3	920200300008	Micro switch protective cover	1	
4	535933510009	Limit control wiring harness (2650mm)	1	4600/3200
	535933510008	Limit control wiring harness (2550mm)	1	4300/2900
	535933510007	Limit control wiring harness (2400mm)	1	4000
	535933510011	Limit control wiring harness (2850mm)	1	3600
5	910300500001	Nut	2	M4
6	910200500010	Screw	4	M3x8
7	535933510015	Magnetic switch, (2400mm)	1	4600/3200
	535933510014	Magnetic switch, (2300mm)	1	4300/2900
	535933510013	Magnetic switch, (2200mm)	1	4000
	535933510017	Magnetic switch, (2600mm)	1	3600
8	535933510005	Magnetic switch, (1200mm)	1	
9	920500100001	Horn	1	DC24V
10	910200200053	Screw	1	M8x12
11	910400500006	Spring washer	1	8
12	535933010001	Main control wiring harness (COMBIACX+EPSPDC0)	1	
13	535933010011	Electrical control components (COMBIACX+EPSPDC0)	1	



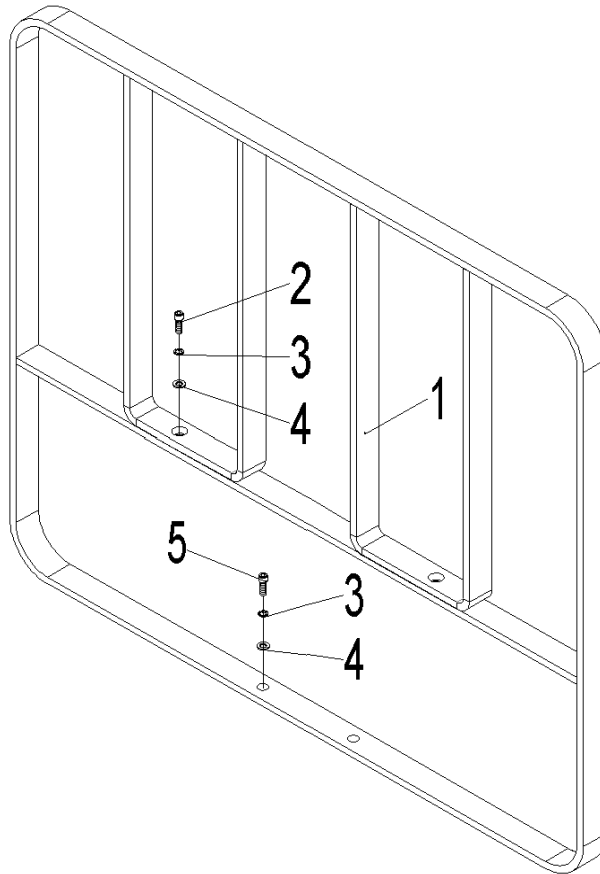
**Fig. 38 Electrical control components (COMBIACX+EPSDC0)**



**Fig. 38 Electrical Control Components (COMBIACX+EPSDC0)**

No.	Art No.	Description	Qty.	Note
1	535933020002	Mounting plate	1	
2	534733020000	Aluminium	1	COMBIACX
3	910400100006	Flat washer	2	8
4	910400500006	Spring washer	2	8
5	941100400001	Screw	1	M8x20
6	910200200055	Screw	1	M8x16
7	921400100048	Controller	1	
8	910400100004	Flat washer	9	5
9	910400500004	Spring washer	9	5
10	910200500040	Screw	8	M5x16
11	920800100001	Relay	1	
12	910200500036	Screw	1	M5x8
13	920100400005	Fuse base	1	2x10A
14	920100200002	Fuse	2	10A
15	910400100003	Flat washer	14	4
16	910400500003	Spring washer	14	4
17	910200500027	Screw	2	M4x25
18	920100400002	Fuse base	2	SY
19	920100100013	Fuse	1	350A
20	910200500024	Screw	6	M4x16
21	920700100002	Contactor	1	
22	921300400004	Main contactor fixing part	1	
23	910200500034	Screw	6	M4x8
24	920100400001	Fuse base	1	M8
25	535933020003	Copper bar	1	
26	535933020004	Copper bar	1	
27	506733020006	Copper bar	1	
28	535921520033	Fixing plate	1	
29	920100100001	Fuse	1	30A
30	921400100030	Controller	1	

**Fig. 39 Load backrest**



**Fig. 39 Load Backrest**

No.	Art No.	Description	Qty.	Note
1	532640510001	Load backrest welding	1	
2	910200200076	Screw	2	M10x25
3	910400100007	Flat washer	4	10
4	910400500007	Spring washer	4	10
5	910200200078	Screw	2	M10x35

### Easy worn parts list

No.	Art No.	Description	Qty.	Fig./Position	Note
1	940400100037	Air spring	2	Fig. 6/2	Protective arm components
2	940500200003	Bushing	2	Fig. 6/7	
3	505633510002	Proximity switch	2	Fig. 6/16	Protective arm components
			1	Fig. 9/15	Panel components
4	940500200008	Bushing	2	Fig. 9/3	Panel components
5	940400100038	Air spring	1	Fig. 9/12	
6	535918020018	PU bushing	2	Fig. 9/21	
7	910700400004	Bearing	2	Fig. 10/3	Roller components
8	910700200019	Bearing	2	Fig. 10/11	Roller components
			8	Fig. 32/6	Load roller assembly
9	940300300020	Roller	1	Fig. 10/12	Roller components
10	910800400002	Dust ring	1	Fig. 24/2	three-stage mast full-free external cylinder components
			1	Fig. 26/1	three-stage mast standard external cylinder components
			1	Fig. 29/1	two-stage mast standard external cylinder components
11	535398520002	Sealing ring	1	Fig. 24/3	three-stage mast full-free external cylinder components
			1	Fig. 29/2	two-stage mast standard external cylinder components
12	535098520017	Sealing part	1	Fig. 24/4	three-stage mast full-free external cylinder components
			1	Fig. 29/3	two-stage mast standard external cylinder components
13	535098520016	Support ring	1	Fig. 24/5	three-stage mast full-free external cylinder components
			1	Fig. 26/3	three-stage mast standard external cylinder components
14	910800100093	O Ring	1	Fig. 24/7	three-stage mast full-free external cylinder components
			1	Fig. 27/6	two-stage mast full-free external cylinder components
			1	Fig. 29/6	two-stage mast standard external cylinder components
15	533298520004	Support ring	1	Fig. 24/12	three-stage mast full-free external cylinder components
			1	Fig. 27/13	two-stage mast full-free external cylinder components

			1	Fig. 29/12	two-stage mast standard external cylinder components
16	535098510000	Sealing components	1	Fig. 24/14	three-stage mast full-free external cylinder components
17	534798520042	Dust ring	1	Fig. 25/2	three-stage mast full-free middle cylinder components
			1	Fig. 28/2	two-stage mast full-free middle cylinder components
18	534798520063	Ring	1	Fig. 25/3	three-stage mast full-free middle cylinder components
			1	Fig. 28/3	two-stage mast full-free middle cylinder components
19	534798520064	Seal ring	1	Fig. 25/4	three-stage mast full-free middle cylinder components
			1	Fig. 28/4	two-stage mast full-free middle cylinder components
20	534498520021	O Ring	1	Fig. 25/6	three-stage mast full-free middle cylinder components
			1	Fig. 28/6	two-stage mast full-free middle cylinder components
21	534798520066	Ring	1	Fig. 25/7	three-stage mast full-free middle cylinder components
			1	Fig. 28/7	two-stage mast full-free middle cylinder components
22	534798520067	Support ring	1	Fig. 25/8	three-stage mast full-free middle cylinder components
			1	Fig. 28/8	two-stage mast full-free middle cylinder components
23	534798520072	Support ring	1	Fig. 25/13	three-stage mast full-free middle cylinder components
			1	Fig. 28/13	two-stage mast full-free middle cylinder components
24	534798510001	Sealing components	1	Fig. 25/14	three-stage mast full-free middle cylinder components
25	535098520028	O Ring	1	Fig. 26/9	three-stage mast standard external cylinder components
26	535098520029	Support ring	1	Fig. 26/10	
27	535398520005	Sealing ring	1	Fig. 26/11	
28	535098510001	Sealing components	1	Fig. 26/13	
29	534798520027	Dust ring	1	Fig. 27/1	two-stage mast full-free external cylinder components
30	534798520028	Sealing ring	1	Fig. 27/2	
31	534798520029	Sealing part	1	Fig. 27/3	
32	534798520030	Support ring	1	Fig. 27/4	

33	535098510002	Sealing components	1	Fig. 27/15	
34	534798510003	Sealing components	1	Fig. 28/14	two-stage mast full-free middle cylinder components
35	535398520003	Support ring	1	Fig. 29/4	two-stage mast standard external cylinder components
36	535098510003	Sealing components	1	Fig. 29/14	
37	910700200041	Bearing	2	Fig. 31/2	EPS components
38	940300300009	Roller	4	Fig. 32/7	Load roller assembly
39	532917001000	Load roller assembly	2	Fig. 32/10	
40	920200300001	Micro switch	1	Fig. 37/1	Electrical parts
41	535933510015	Magnetic switch	1	Fig. 37/7	
	535933510014	Magnetic switch			
	535933510013	Magnetic switch			
	535933510017	Magnetic switch			
42	535933510005	Magnetic switch	1	Fig. 37/8	
43	920100200002	Fuse	2	Fig. 38/14	Electrical control components (COMBIACX+EPSDC0)
44	920100100013	Fuse	1	Fig. 38/19	
45	920100100001	Fuse	1	Fig. 38/29	